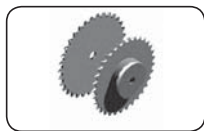


SKF Power Transmission products





Sprockets



Metric sprockets, simplex, pilot bore 176



ANSI sprockets, double simplex, taper bushed 238



Metric sprockets, simplex, taper bushed 186



ANSI sprockets, duplex, pilot bore . 239



Metric sprockets, double simplex, pilot bore 192



ANSI sprockets, duplex, taper bushed 244



Metric sprockets, double simplex, taper bushed 194



ANSI sprockets, triplex, pilot bore . 246



Metric sprockets, duplex, standard 196



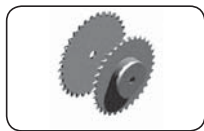
Metric sprockets, duplex, taper bushed 201



Metric sprockets, triplex, standard. 204



Metric sprockets, triplex, taper bushed 208



ANSI sprockets, simplex, pilot bore 209



ANSI sprockets, simplex, taper bushed 232



ANSI sprockets, double simplex, pilot bore 236

SKF Sprockets

SKF sprocket range nomenclature has a defined prefix of PHS. All sprockets are made to be applied to standardized chains. SKF sprockets conform to conventional basic chain part number format – ISO, BS, or DIN.

Sprockets

The sprocket range designation from SKF has the following is an example to indicate set up.

PHS 80-1 TBH 22

SKF Designation prefix

Chain size and type —————

Example:
80-1 – ANSI series chain, simplex type
16B-3 – ISO/BS series chain, triplex type

Supplementary —————

Many different supplementary designations, examples
TBH- taper bushing type and hardened teeth
C – Hub type C
SS – stainless steel material

Note
See SKF product training for full supplementary notations

Teeth —————

The number of teeth on the sprocket

Supplementary
Possible other options and special requirements

Sprockets (PHS Product Group)

All SKF sprockets are manufactured according to ISO606 & ASME B29.100 standard. The sprockets are made from steel material C-45 and premium carbon steel no. 20 on hub material if welded. For some special sprockets gray cast iron HT250 or cast iron 250 material is used.

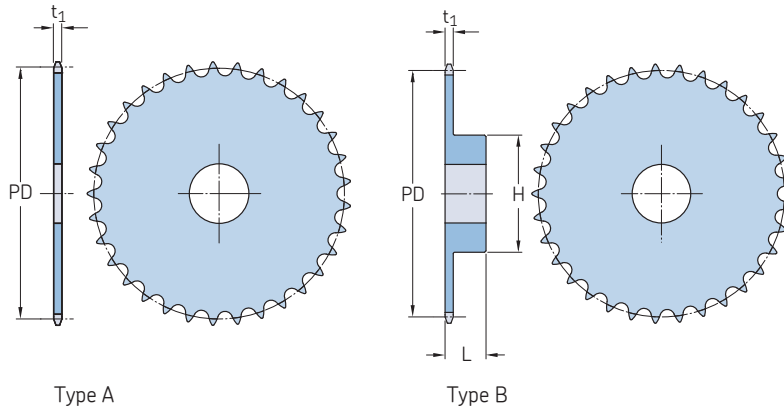
Sprockets 25T and below are hardened as standard (typically 35-40 HRC). This is only valid for sprocket teeth manufactured with steel material C-45. Surface treatment such as black oxide and zinc plating can be offered upon request.

Tolerances are machined according to DIN 8196.

All sprockets are completely deburred and protected with rustproof oil.

Metric sprockets, simplex, pilot bore

ISO 05B-1 · 8 mm pitch



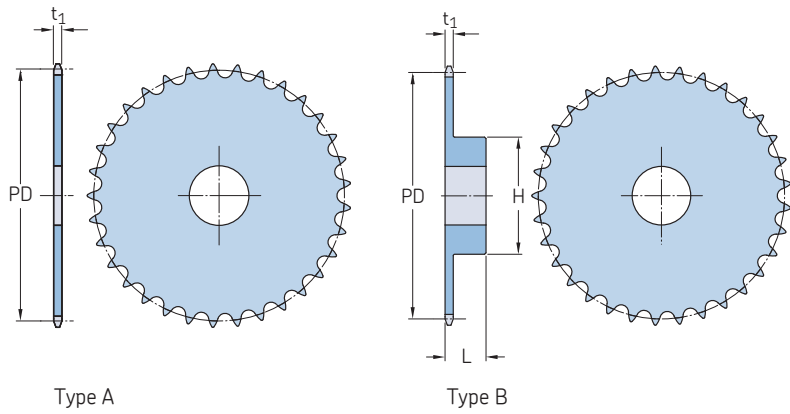
| Pitch | Number of teeth | Pitch diameter | Type | Dimensions | | Hub | | Plate thickness t ₁ | Mass | Designation |
|-------|-----------------|----------------|------|------------|------------|-----|------|--------------------------------|---------------|---------------|
| | | | | Bore stock | Bore stock | H | L | | | |
| mm | - | mm | - | mm | mm | mm | mm | kg | - | |
| 8 | 8 | 20,90 | A | 6 | - | - | - | - | 0,01 | PHS 05B-1A8 |
| | | | B | 6 | 6 | 13 | 12 | 2,80 | 0,02 | PHS 05B-1BH8 |
| | 9 | 23,39 | A | 6 | - | - | - | - | 0,01 | PHS 05B-1A9 |
| | | | B | 6 | 6 | 15 | 12 | 2,80 | 0,02 | PHS 05B-1BH9 |
| | 10 | 25,89 | A | 8 | - | - | - | - | 0,01 | PHS 05B-1A10 |
| | | | B | 8 | 8 | 17 | 12 | 2,80 | 0,02 | PHS 05B-1BH10 |
| | 11 | 28,39 | A | 8 | - | - | - | - | 0,01 | PHS 05B-1A11 |
| | | | B | 8 | 8 | 18 | 13 | 2,80 | 0,03 | PHS 05B-1BH11 |
| | 12 | 30,91 | A | 8 | - | - | - | - | 0,01 | PHS 05B-1A12 |
| | | | B | 8 | 8 | 20 | 13 | 2,80 | 0,03 | PHS 05B-1BH12 |
| | 13 | 33,42 | A | 8 | - | - | - | - | 0,01 | PHS 05B-1A13 |
| | | | B | 8 | 8 | 23 | 13 | 2,80 | 0,05 | PHS 05B-1BH13 |
| | 14 | 35,95 | A | 8 | - | - | - | - | 0,02 | PHS 05B-1A14 |
| | | | B | 8 | 10 | 25 | 13 | 2,80 | 0,05 | PHS 05B-1BH14 |
| | 15 | 38,48 | A | 8 | - | - | - | - | 0,02 | PHS 05B-1A15 |
| | | | B | 8 | 12 | 28 | 13 | 2,80 | 0,07 | PHS 05B-1BH15 |
| | 16 | 41,01 | A | 8 | - | - | - | - | 0,02 | PHS 05B-1A16 |
| | | | B | 8 | 14 | 30 | 14 | 2,80 | 0,08 | PHS 05B-1BH16 |
| | 17 | 43,53 | A | 8 | - | - | - | - | 0,03 | PHS 05B-1A17 |
| | | | B | 8 | 14 | 30 | 14 | 2,80 | 0,09 | PHS 05B-1BH17 |
| | 18 | 46,07 | A | 8 | - | - | - | - | 0,03 | PHS 05B-1A18 |
| | | | B | 8 | 14 | 30 | 14 | 2,80 | 0,09 | PHS 05B-1BH18 |
| | 19 | 48,61 | A | 8 | - | - | - | - | 0,03 | PHS 05B-1A19 |
| | | | B | 8 | 14 | 30 | 14 | 2,80 | 0,10 | PHS 05B-1BH19 |
| | 20 | 51,14 | A | 8 | - | - | - | - | 0,04 | PHS 05B-1A20 |
| | | | B | 8 | 14 | 30 | 14 | 2,80 | 0,10 | PHS 05B-1BH20 |
| | 21 | 53,67 | A | 8 | - | - | - | - | 0,04 | PHS 05B-1A21 |
| | | | B | 8 | 19 | 35 | 14 | 2,80 | 0,13 | PHS 05B-1BH21 |
| | 22 | 56,21 | A | 8 | - | - | - | - | 0,05 | PHS 05B-1A22 |
| B | | | 8 | 19 | 35 | 14 | 2,80 | 0,13 | PHS 05B-1BH22 | |
| 23 | 58,75 | A | 8 | - | - | - | - | 0,05 | PHS 05B-1A23 | |
| | | B | 8 | 19 | 35 | 14 | 2,80 | 0,13 | PHS 05B-1BH23 | |
| 24 | 61,29 | A | 8 | - | - | - | - | 0,06 | PHS 05B-1A24 | |
| | | B | 8 | 19 | 35 | 14 | 2,80 | 0,15 | PHS 05B-1BH24 | |
| 25 | 63,83 | A | 8 | - | - | - | - | 0,06 | PHS 05B-1A25 | |
| | | B | 8 | 19 | 35 | 14 | 2,80 | 0,15 | PHS 05B-1BH25 | |
| 26 | 66,37 | A | 10 | - | - | - | - | 0,07 | PHS 05B-1A26 | |
| | | B | 10 | 23 | 40 | 16 | 2,80 | 0,17 | PHS 05B-1B26 | |
| 27 | 68,91 | A | 10 | - | - | - | - | 0,07 | PHS 05B-1A27 | |
| | | B | 10 | 23 | 40 | 16 | 2,80 | 0,19 | PHS 05B-1B27 | |
| 28 | 71,45 | A | 10 | - | - | - | - | 0,08 | PHS 05B-1A28 | |
| | | B | 10 | 23 | 40 | 16 | 2,80 | 0,20 | PHS 05B-1B28 | |
| 29 | 73,99 | A | 10 | - | - | - | - | 0,08 | PHS 05B-1A29 | |
| | | B | 10 | 23 | 40 | 16 | 2,80 | 0,21 | PHS 05B-1B29 | |

| Pitch | Number of teeth | Pitch diameter | Type | Dimensions | | Hub | | Plate thickness t ₁ | Mass | Designation |
|-------|-----------------|----------------|------|------------|------------|-----|------|--------------------------------|--------------|--------------|
| | | | | Bore stock | Bore stock | H | L | | | |
| mm | - | mm | - | mm | mm | mm | mm | kg | - | |
| 8 | 30 | 76,53 | A | 10 | - | - | - | - | 0,09 | PHS 05B-1A30 |
| | | | B | 10 | 23 | 40 | 16 | 2,80 | 0,22 | PHS 05B-1B30 |
| | 31 | 79,08 | A | 10 | - | - | - | - | 0,10 | PHS 05B-1A31 |
| | | | B | 10 | 23 | 40 | 16 | 2,80 | 0,23 | PHS 05B-1B31 |
| | 32 | 81,61 | A | 10 | - | - | - | - | 0,11 | PHS 05B-1A32 |
| | | | B | 10 | 23 | 40 | 16 | 2,80 | 0,23 | PHS 05B-1B32 |
| | 33 | 84,16 | A | 10 | - | - | - | - | 0,12 | PHS 05B-1A33 |
| | | | B | 10 | 23 | 40 | 16 | 2,80 | 0,24 | PHS 05B-1B33 |
| | 34 | 86,70 | A | 10 | - | - | - | - | 0,12 | PHS 05B-1A34 |
| | | | B | 10 | 23 | 40 | 16 | 2,80 | 0,25 | PHS 05B-1B34 |
| | 35 | 89,24 | A | 10 | - | - | - | - | 0,12 | PHS 05B-1A35 |
| | | | B | 10 | 23 | 40 | 16 | 2,80 | 0,25 | PHS 05B-1B35 |
| | 36 | 91,79 | A | 10 | - | - | - | - | 0,13 | PHS 05B-1A36 |
| | | | B | 10 | 23 | 40 | 16 | 2,80 | 0,26 | PHS 05B-1B36 |
| | 37 | 94,33 | A | 10 | - | - | - | - | 0,14 | PHS 05B-1A37 |
| | | | B | 10 | 23 | 40 | 16 | 2,80 | 0,26 | PHS 05B-1B37 |
| | 38 | 96,88 | A | 10 | - | - | - | - | 0,15 | PHS 05B-1A38 |
| | | | B | 10 | 23 | 40 | 16 | 2,80 | 0,27 | PHS 05B-1B38 |
| | 39 | 99,42 | A | 10 | - | - | - | - | 0,16 | PHS 05B-1A39 |
| | | | B | 10 | 23 | 40 | 16 | 2,80 | 0,28 | PHS 05B-1B39 |
| | 40 | 101,97 | A | 10 | - | - | - | - | 0,16 | PHS 05B-1A40 |
| | | | B | 10 | 23 | 40 | 16 | 2,80 | 0,28 | PHS 05B-1B40 |
| | 41 | 104,51 | A | 12 | - | - | - | - | 0,17 | PHS 05B-1A41 |
| | | | B | 10 | 23 | 60 | 20 | 2,80 | 0,29 | PHS 05B-1B41 |
| | 42 | 107,05 | A | 12 | - | - | - | - | 0,18 | PHS 05B-1A42 |
| | | | B | 10 | 23 | 60 | 20 | 2,80 | 0,30 | PHS 05B-1B42 |
| | 43 | 109,60 | A | 12 | - | - | - | - | 0,19 | PHS 05B-1A43 |
| | | | B | 10 | 23 | 60 | 20 | 2,80 | 0,30 | PHS 05B-1B43 |
| | 44 | 112,14 | A | 12 | - | - | - | - | 0,20 | PHS 05B-1A44 |
| | | | B | 10 | 23 | 60 | 20 | 2,80 | 0,31 | PHS 05B-1B44 |
| 45 | 114,69 | A | 12 | - | - | - | - | 0,21 | PHS 05B-1A45 | |
| | | B | 12 | 40 | 60 | 20 | 2,80 | 0,31 | PHS 05B-1B45 | |
| 46 | 117,23 | A | 12 | - | - | - | - | 0,21 | PHS 05B-1A46 | |
| | | B | 12 | 40 | 60 | 20 | 2,80 | 0,32 | PHS 05B-1B46 | |
| 47 | 119,77 | A | 12 | - | - | - | - | 0,32 | PHS 05B-1A47 | |
| | | B | 12 | 40 | 60 | 20 | 2,80 | 0,33 | PHS 05B-1B47 | |
| 48 | 122,32 | A | 12 | - | - | - | - | 0,34 | PHS 05B-1A48 | |
| | | B | 12 | 40 | 60 | 20 | 2,80 | 0,33 | PHS 05B-1B48 | |
| 54 | 137,59 | A | 14 | - | - | - | - | 0,67 | PHS 05B-1A54 | |
| | | B | 12 | 40 | 80 | 20 | 2,80 | 0,37 | PHS 05B-1B54 | |
| 57 | 145,22 | A | 14 | - | - | - | - | 1,47 | PHS 05B-1A57 | |
| | | B | 14 | 55 | 80 | 20 | 2,80 | 0,39 | PHS 05B-1B57 | |
| 60 | 152,85 | A | 14 | - | - | - | - | 1,53 | PHS 05B-1A60 | |
| | | B | 14 | 55 | 80 | 34 | 2,80 | 0,41 | PHS 05B-1B60 | |

Maximum bores can accommodate standard keyways. Larger bores are available where a shallow keyway is used or no keyway is required. All Type B or C sprockets, up to and including 25 tooth, are with hardened teeth as standard. For any additional size sprockets with hardened teeth, add "H" before the number of teeth, e.g. PHS 08B-1AH8.

Metric sprockets, simplex, pilot bore

ISO 06B-1 · 9,525 mm pitch | ISO 08B-1 · 12,70 mm pitch



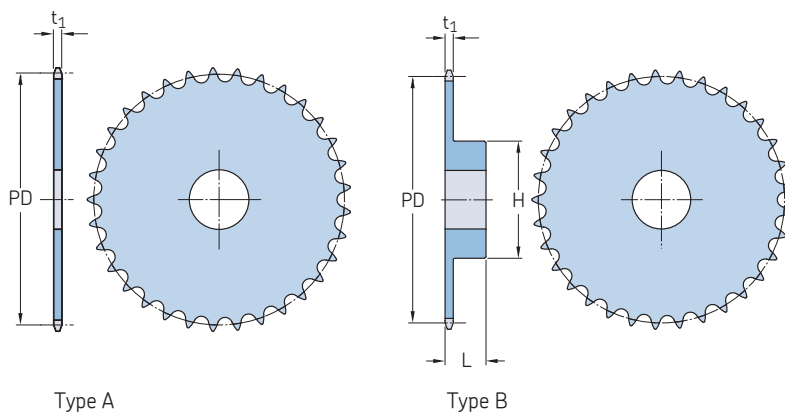
| Pitch | Number of teeth | Pitch diameter | Type | Dimensions | | Hub | Plate thickness | Mass | Designation |
|-------|-----------------|----------------|------|------------|------|-----|-----------------|--------------------------------|------------------------------|
| | | | | Bore stock | Bore | | | | |
| | | PD | | Min. | Max. | H | L | t ₁ | |
| mm | - | mm | - | mm | | | | kg | - |
| 9,525 | 80 | 242,61 | A | 20 | - | - | - | 1,53 | PHS 06B-1A80 PHS 06B-1B80 |
| | | B | - | 14 | 52 | 78 | 32 | 5,31 | |
| | 84 | 254,74 | A | 20 | - | - | - | 1,60 | PHS 06B-1A84 PHS 06B-1B84 |
| | | B | - | 14 | 52 | 80 | 32 | 5,31 | |
| | 85 | 257,77 | A | 20 | - | - | - | 1,66 | PHS 06B-1A85 PHS 06B-1B85 |
| | | B | - | 14 | 52 | 80 | 32 | 5,31 | |
| | 90 | 272,93 | A | 20 | - | - | - | 1,72 | PHS 06B-1A90 PHS 06B-1B90 |
| | | B | - | 14 | 55 | 80 | 32 | 5,31 | |
| | 92 | 278,99 | A | 20 | - | - | - | 2,16 | PHS 06B-1A92 PHS 06B-1B92 |
| | | B | - | 14 | 55 | 80 | 32 | 5,31 | |
| | 95 | 288,08 | A | 20 | - | - | - | 2,60 | PHS 06B-1A95 PHS 06B-1B95 |
| B | | - | 14 | 55 | 80 | 32 | 5,31 | 3,95 | |
| 96 | 291,11 | A | 20 | - | - | - | 2,20 | PHS 06B-1A96 PHS 06B-1B96 | |
| | B | - | 14 | 55 | 80 | 32 | 5,31 | | 5,68 |
| 114 | 345,68 | A | 20 | - | - | - | 3,13 | PHS 06B-1A114 PHS 06B-1B114 | |
| | | B | - | 14 | 55 | 80 | 32 | | 5,31 |
| 12,70 | 8 | 33,18 | A | 8 | - | - | - | 0,03 | PHS 08B-1A8 PHS 08B-1B8 |
| | | B | - | 10 | 10 | 20 | 25 | 7,37 | |
| | 9 | 37,13 | A | 8 | - | - | - | 0,04 | PHS 08B-1A9 PHS 08B-1B9 |
| | | B | - | 10 | 10 | 24 | 25 | 7,37 | |
| | 10 | 41,10 | A | 8 | - | - | - | 0,06 | PHS 08B-1A10 PHS 08B-1B10 |
| | | B | - | 10 | 11 | 26 | 25 | 7,37 | |
| | 11 | 45,07 | A | 10 | - | - | - | 0,07 | PHS 08B-1A11 PHS 08B-1B11 |
| | | B | - | 10 | 13 | 29 | 25 | 7,37 | |
| | 12 | 49,07 | A | 10 | - | - | - | 0,09 | PHS 08B-1A12 PHS 08B-1B12 |
| | | B | - | 10 | 17 | 33 | 28 | 7,37 | |
| 13 | 53,06 | A | 10 | - | - | - | 0,10 | PHS 08B-1A13 PHS 08B-1B13 | |
| | B | - | 10 | 20 | 37 | 28 | 7,37 | | 0,27 |
| 14 | 57,07 | A | 10 | - | - | - | 0,12 | PHS 08B-1A14 PHS 08B-1B14 | |
| | B | - | 10 | 24 | 41 | 28 | 7,37 | | 0,33 |
| 15 | 61,09 | A | 10 | - | - | - | 0,13 | PHS 08B-1A15 PHS 08B-1B15 | |
| | B | - | 10 | 28 | 45 | 28 | 7,37 | | 0,39 |
| 16 | 65,10 | A | 10 | - | - | - | 0,16 | PHS 08B-1A16 PHS 08B-1B16 | |
| | B | - | 12 | 30 | 50 | 28 | 7,37 | | 0,46 |
| 17 | 69,11 | A | 10 | - | - | - | 0,18 | PHS 08B-1A17 PHS 08B-1B17 | |
| | B | - | 12 | 30 | 52 | 28 | 7,37 | | 0,51 |
| 18 | 73,14 | A | 10 | - | - | - | 0,20 | PHS 08B-1A18 PHS 08B-1B18 | |
| | B | - | 12 | 35 | 56 | 28 | 7,37 | | 0,59 |
| 19 | 77,16 | A | 10 | - | - | - | 0,23 | PHS 08B-1A19 PHS 08B-1B19 | |
| | B | - | 12 | 40 | 60 | 28 | 7,37 | | 0,67 |
| 20 | 81,19 | A | 10 | - | - | - | 0,25 | PHS 08B-1A20 PHS 08B-1B20 | |
| | B | - | 12 | 40 | 64 | 28 | 7,37 | | 0,77 |
| 21 | 85,22 | A | 12 | - | - | - | 0,26 | PHS 08B-1A21 PHS 08B-1B21 | |
| | B | - | 12 | 40 | 68 | 28 | 7,37 | | 0,85 |

| Pitch | Number of teeth | Pitch diameter | Type | Dimensions | | Hub | Plate thickness | Mass | Designation |
|-------|-----------------|----------------|------|------------|------|-----|-----------------|------------------------------|------------------------------|
| | | | | Bore stock | Bore | | | | |
| | | PD | | Min. | Max. | H | L | t ₁ | |
| mm | - | mm | - | mm | | | | kg | - |
| 12,70 | 22 | 89,24 | A | 12 | - | - | - | 0,30 | PHS 08B-1A22 PHS 08B-1B22 |
| | | B | - | 12 | 40 | 70 | 28 | 7,37 | |
| | 23 | 93,27 | A | 12 | - | - | - | 0,34 | PHS 08B-1A23 PHS 08B-1B23 |
| | | B | - | 14 | 40 | 70 | 28 | 7,37 | |
| | 24 | 97,29 | A | 12 | - | - | - | 0,37 | PHS 08B-1A24 PHS 08B-1B24 |
| | | B | - | 14 | 40 | 70 | 28 | 7,37 | |
| | 25 | 101,33 | A | 12 | - | - | - | 0,41 | PHS 08B-1A25 PHS 08B-1B25 |
| | | B | - | 14 | 40 | 70 | 28 | 7,37 | |
| | 26 | 105,36 | A | 16 | - | - | - | 0,44 | PHS 08B-1A26 PHS 08B-1B26 |
| | | B | - | 16 | 46 | 70 | 30 | 7,37 | |
| 27 | 109,40 | A | 16 | - | - | - | 0,48 | PHS 08B-1A27 PHS 08B-1B27 | |
| | B | - | 16 | 46 | 70 | 30 | 7,37 | | 1,13 |
| 28 | 113,42 | A | 16 | - | - | - | 0,51 | PHS 08B-1A28 PHS 08B-1B28 | |
| | B | - | 16 | 46 | 70 | 30 | 7,37 | | 1,17 |
| 29 | 117,46 | A | 16 | - | - | - | 0,55 | PHS 08B-1A29 PHS 08B-1B29 | |
| | B | - | 16 | 46 | 80 | 30 | 7,37 | | 1,41 |
| 30 | 121,50 | A | 16 | - | - | - | 0,59 | PHS 08B-1A30 PHS 08B-1B30 | |
| | B | - | 16 | 46 | 80 | 30 | 7,37 | | 1,46 |
| 31 | 125,54 | A | 16 | - | - | - | 0,63 | PHS 08B-1A31 PHS 08B-1B31 | |
| | B | - | 16 | 46 | 90 | 30 | 7,37 | | 1,75 |
| 32 | 129,56 | A | 16 | - | - | - | 0,68 | PHS 08B-1A32 PHS 08B-1B32 | |
| | B | - | 16 | 46 | 90 | 30 | 7,37 | | 1,79 |
| 33 | 133,60 | A | 16 | - | - | - | 0,72 | PHS 08B-1A33 PHS 08B-1B33 | |
| | B | - | 16 | 46 | 90 | 30 | 7,37 | | 1,83 |
| 34 | 137,64 | A | 16 | - | - | - | 0,78 | PHS 08B-1A34 PHS 08B-1B34 | |
| | B | - | 16 | 46 | 90 | 30 | 7,37 | | 1,87 |
| 35 | 141,68 | A | 16 | - | - | - | 0,81 | PHS 08B-1A35 PHS 08B-1B35 | |
| | B | - | 16 | 46 | 90 | 30 | 7,37 | | 1,94 |
| 36 | 145,72 | A | 16 | - | - | - | 0,87 | PHS 08B-1A36 PHS 08B-1B36 | |
| | B | - | 16 | 50 | 90 | 35 | 7,37 | | 2,21 |
| 37 | 149,76 | A | 16 | - | - | - | 0,92 | PHS 08B-1A37 PHS 08B-1B37 | |
| | B | - | 16 | 50 | 90 | 35 | 7,37 | | 2,24 |
| 38 | 153,80 | A | 16 | - | - | - | 0,97 | PHS 08B-1A38 PHS 08B-1B38 | |
| | B | - | 16 | 50 | 90 | 35 | 7,37 | | 2,33 |
| 39 | 157,83 | A | 16 | - | - | - | 1,02 | PHS 08B-1A39 PHS 08B-1B39 | |
| | B | - | 16 | 50 | 90 | 35 | 7,37 | | 2,30 |
| 40 | 161,87 | A | 16 | - | - | - | 1,08 | PHS 08B-1A40 PHS 08B-1B40 | |
| | B | - | 16 | 50 | 90 | 35 | 7,37 | | 2,44 |
| 41 | 165,91 | A | 20 | - | - | - | 1,10 | PHS 08B-1A41 PHS 08B-1B41 | |
| | B | - | 16 | 50 | 90 | 40 | 7,37 | | 2,41 |
| 42 | 169,95 | A | 20 | - | - | - | 1,00 | PHS 08B-1A42 PHS 08B-1B42 | |
| | B | - | 16 | 60 | 90 | 40 | 7,37 | | 2,38 |
| 43 | 173,99 | A | 20 | - | - | - | 1,24 | PHS 08B-1A43 PHS 08B-1B43 | |
| | B | - | 16 | 50 | 90 | 40 | 7,37 | | 2,35 |

Maximum bores can accommodate standard keyways. Larger bores are available where a shallow keyway is used or no keyway is required. All Type B or C sprockets, up to and including 25 tooth, are with hardened teeth as standard. For any additional size sprockets with hardened teeth, add "H" before the number of teeth, e.g. PHS 08B-1AH8.

Metric sprockets, simplex, pilot bore

ISO 10B-1 · 15,88 mm pitch | ISO 12B-1 · 19,05 mm pitch



| Pitch | Number of teeth | Pitch diameter | Type | Dimensions | | Hub | Plate thickness | Mass | Designation | Pitch | Number of teeth | Pitch diameter | Type | Dimensions | | Hub | Plate thickness | Mass | Designation | | |
|-------|-----------------|----------------|------|------------|------|-----|-----------------|--------------|--------------|--------|-----------------|----------------|------|------------|------|-----|-----------------|-------|---------------|--------------|--------------|
| | | | | Bore stock | Bore | | | | | | | | | Bore stock | Bore | | | | | H | L |
| mm | - | mm | - | mm | | | | kg | - | mm | - | mm | - | mm | | | | kg | - | | |
| 15,88 | 48 | 242,73 | A | 20 | - | - | - | 3,13 | PHS 10B-1A48 | 15,88 | 96 | 485,19 | A | 30 | - | - | - | - | 12,72 | PHS 10B-1A96 | |
| | | | B | - | 20 | 64 | 100 | 40 | 9,17 | | | | | | | | | | | | 4,66 |
| | 49 | 247,78 | A | 20 | - | - | - | 3,28 | PHS 10B-1A49 | 112 | 566,03 | A | 30 | - | - | - | - | 16,55 | PHS 10B-1A112 | | |
| | | | B | - | 20 | 64 | 100 | 40 | 9,17 | | | | | | | | | | | 4,82 | PHS 10B-1B49 |
| | 50 | 252,82 | A | 20 | - | - | - | 3,43 | PHS 10B-1A50 | 114 | 576,13 | A | 30 | - | - | - | - | 17,03 | PHS 10B-1A114 | | |
| | | | B | - | 20 | 64 | 100 | 40 | 9,17 | | | | | | | | | | | 4,98 | PHS 10B-1B50 |
| | 51 | 257,87 | A | 20 | - | - | - | 3,57 | PHS 10B-1A51 | 120 | 606,45 | A | 30 | - | - | - | - | 18,50 | PHS 10B-1A120 | | |
| | | | B | - | 20 | 64 | 100 | 40 | 9,17 | | | | | | | | | | | 5,14 | PHS 10B-1B51 |
| | 52 | 262,92 | A | 20 | - | - | - | 3,72 | PHS 10B-1A52 | 19,05 | 8 | 49,78 | A | 12 | - | - | - | - | 0,13 | PHS 12B-1A8 | |
| | | | B | - | 20 | 64 | 100 | 40 | 9,17 | | | | | | | | | | | | 5,30 |
| | 53 | 267,97 | A | 20 | - | - | - | 3,87 | PHS 10B-1A53 | 9 | 55,70 | A | 12 | - | - | - | - | - | 0,16 | PHS 12B-1A9 | |
| | | | B | - | 20 | 64 | 100 | 40 | 9,17 | | | | | | | | | | | | 5,46 |
| | 54 | 273,03 | A | 20 | - | - | - | 4,02 | PHS 10B-1A54 | 10 | 61,64 | A | 12 | - | - | 23 | 42 | 30 | 11,10 | 0,21 | PHS 12B-1A10 |
| | | | B | - | 20 | 64 | 100 | 40 | 9,17 | | | | | | | | | | | | |
| | 55 | 278,08 | A | 20 | - | - | - | 4,16 | PHS 10B-1A55 | 11 | 67,61 | A | 14 | - | - | - | - | - | 0,25 | PHS 12B-1A11 | |
| | | | B | - | 20 | 64 | 100 | 40 | 9,17 | | | | | | | | | | | | 5,78 |
| | 56 | 283,13 | A | 25 | - | - | - | 4,31 | PHS 10B-1A56 | 12 | 73,61 | A | 14 | - | - | - | - | - | 0,30 | PHS 12B-1A12 | |
| | | | B | - | 20 | 64 | 100 | 40 | 9,17 | | | | | | | | | | | | 5,94 |
| | 57 | 288,18 | A | 25 | - | - | - | 4,46 | PHS 10B-1A57 | 13 | 79,59 | A | 14 | - | - | - | - | - | 0,37 | PHS 12B-1A13 | |
| B | | | - | 20 | 55 | 100 | 40 | 9,17 | 6,00 | | | | | | | | | | | | PHS 10B-1B57 |
| 58 | 293,23 | A | 25 | - | - | - | 4,64 | PHS 10B-1A58 | 14 | 85,61 | A | 14 | - | - | - | - | - | 0,43 | PHS 12B-1A14 | | |
| | | B | - | 20 | 64 | 100 | 43 | 9,17 | | | | | | | | | | | | 6,44 | PHS 10B-1B58 |
| 59 | 298,27 | A | 25 | - | - | - | 4,83 | PHS 10B-1A59 | 15 | 91,63 | A | 14 | - | - | - | - | - | 0,50 | PHS 12B-1A15 | | |
| | | B | - | 20 | 64 | 100 | 43 | 9,17 | | | | | | | | | | | | 6,88 | PHS 10B-1B59 |
| 60 | 303,32 | A | 25 | - | - | - | 5,01 | PHS 10B-1A60 | 16 | 97,65 | A | 14 | - | - | - | - | - | 0,56 | PHS 12B-1A16 | | |
| | | B | - | 20 | 64 | 100 | 43 | 9,17 | | | | | | | | | | | | 7,32 | PHS 10B-1B60 |
| 65 | 328,58 | A | 25 | - | - | - | 5,92 | PHS 10B-1A65 | 17 | 103,67 | A | 14 | - | - | - | - | - | 0,65 | PHS 12B-1A17 | | |
| | | B | - | 20 | 64 | 100 | 43 | 9,17 | | | | | | | | | | | | 7,48 | PHS 10B-1B65 |
| 70 | 353,84 | A | 25 | - | - | - | 6,83 | PHS 10B-1A70 | 18 | 109,71 | A | 14 | - | - | - | - | - | 0,73 | PHS 12B-1A18 | | |
| | | B | - | 20 | 64 | 100 | 43 | 9,17 | | | | | | | | | | | | 7,76 | PHS 10B-1B70 |
| 72 | 363,95 | A | 25 | - | - | - | 7,20 | PHS 10B-1A72 | 19 | 115,75 | A | 14 | - | - | - | - | - | 0,82 | PHS 12B-1A19 | | |
| | | B | - | 20 | 64 | 100 | 43 | 9,17 | | | | | | | | | | | | 8,20 | PHS 10B-1B72 |
| 76 | 384,16 | A | 25 | - | - | - | 7,93 | PHS 10B-1A76 | 20 | 121,78 | A | 14 | - | - | - | - | - | 0,90 | PHS 12B-1A20 | | |
| | | B | - | 20 | 60 | 100 | 43 | 9,17 | | | | | | | | | | | | 8,68 | PHS 10B-1B76 |
| 80 | 404,35 | A | 25 | - | - | - | 8,89 | PHS 10B-1A80 | 21 | 127,82 | A | 16 | - | - | - | - | - | 0,99 | PHS 12B-1A21 | | |
| | | B | - | 20 | 70 | 100 | 43 | 9,17 | | | | | | | | | | | | 10,20 | PHS 10B-1B80 |
| 84 | 424,57 | A | 30 | - | - | - | 9,85 | PHS 10B-1A84 | 22 | 133,86 | A | 16 | - | - | - | - | - | 1,08 | PHS 12B-1A22 | | |
| | | B | - | 20 | 70 | 100 | 50 | 9,17 | | | | | | | | | | | | 11,72 | PHS 10B-1B84 |
| 85 | 429,62 | A | 30 | - | - | - | 10,09 | PHS 10B-1A85 | 23 | 139,90 | A | 16 | - | - | - | - | - | 1,21 | PHS 12B-1A23 | | |
| | | B | - | 20 | 70 | 100 | 50 | 9,17 | | | | | | | | | | | | 12,12 | PHS 10B-1B85 |
| 92 | 464,98 | A | 30 | - | - | - | 11,76 | PHS 10B-1A92 | 24 | 145,94 | A | 16 | - | - | - | - | - | 1,33 | PHS 12B-1A24 | | |
| | | B | - | 20 | 70 | 100 | 50 | 9,17 | | | | | | | | | | | | 12,91 | PHS 10B-1B92 |
| 95 | 480,14 | A | 30 | - | - | - | 12,48 | PHS 10B-1A95 | 25 | 152,00 | A | 16 | - | - | - | - | - | 1,43 | PHS 12B-1A25 | | |
| | | B | - | 20 | 60 | 100 | 50 | 9,17 | | | | | | | | | | | | 13,24 | PHS 10B-1B95 |

Maximum bores can accommodate standard keyways. Larger bores are available where a shallow keyway is used or no keyway is required.
 All Type B or C sprockets, up to and including 25 tooth, are with hardened teeth as standard.
 For any additional size sprockets with hardened teeth, add "H" before the number of teeth, e.g. PHS 08B-1AH8.

Metric sprockets, simplex, pilot bore

ISO 12B-1 · 19,05 mm pitch | ISO 16B-1 · 25,40 mm pitch

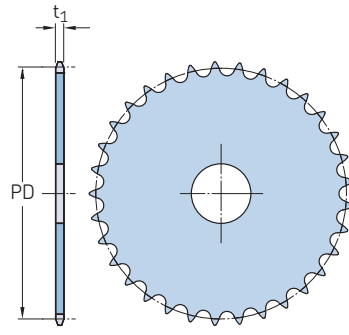
| Pitch | Number of teeth | Pitch diameter PD | Type | Dimensions | | Hub | | Plate thickness t ₁ | Mass | Designation | |
|-------|-----------------|----------------------|---------|------------|---------|---------|---------|-----------------------------------|----------------|------------------------------|------------------------------|
| | | | | Bore stock | Bore | H | L | | | | |
| | | | | Min. | Max. | mm | mm | | | | |
| mm | - | mm | - | mm | mm | mm | mm | mm | kg | - | |
| 19,05 | 26 | 158,04 | A B | 16 - | - 20 | - 58 | - 95 | - 40 | - 11,10 | 1,57 3,11 | PHS 12B-1A26 PHS 12B-1B26 |
| | 27 | 164,09 | A B | 16 - | 20 | 58 | 95 | 40 | 11,10 | 1,69 3,24 | PHS 12B-1A27 PHS 12B-1B27 |
| | 28 | 170,13 | A B | 16 - | 20 | 58 | 95 | 40 | 11,10 | 1,83 3,37 | PHS 12B-1A28 PHS 12B-1B28 |
| | 29 | 176,19 | A B | 16 - | 20 | 60 | 95 | 40 | 11,10 | 1,97 3,49 | PHS 12B-1A29 PHS 12B-1B29 |
| | 30 | 182,25 | A B | 16 - | 20 | 60 | 95 | 40 | 11,10 | 2,11 3,66 | PHS 12B-1A30 PHS 12B-1B30 |
| | 31 | 188,31 | A B | 20 - | 20 | 64 | 95 | 40 | 11,10 | 2,26 3,96 | PHS 12B-1A31 PHS 12B-1B31 |
| | 32 | 194,36 | A B | 20 - | 20 | 64 | 95 | 40 | 11,10 | 2,37 4,14 | PHS 12B-1A32 PHS 12B-1B32 |
| | 33 | 200,40 | A B | 20 - | 20 | 64 | 95 | 40 | 11,10 | 2,58 4,28 | PHS 12B-1A33 PHS 12B-1B33 |
| | 34 | 206,46 | A B | 20 - | 20 | 64 | 95 | 40 | 11,10 | 2,72 4,45 | PHS 12B-1A34 PHS 12B-1B34 |
| | 35 | 212,52 | A B | 20 - | 20 | 64 | 95 | 40 | 11,10 | 2,90 4,62 | PHS 12B-1A35 PHS 12B-1B35 |
| | 36 | 218,58 | A B | 20 - | 20 | 70 | 100 | 40 | 11,10 | 3,04 4,79 | PHS 12B-1A36 PHS 12B-1B36 |
| | 37 | 224,64 | A B | 20 - | 20 | 70 | 100 | 40 | 11,10 | 3,27 4,97 | PHS 12B-1A37 PHS 12B-1B37 |
| | 38 | 230,69 | A B | 20 - | 20 | 70 | 100 | 40 | 11,10 | 3,42 5,15 | PHS 12B-1A38 PHS 12B-1B38 |
| | 39 | 236,75 | A B | 20 - | 20 | 70 | 100 | 40 | 11,10 | 3,61 5,34 | PHS 12B-1A39 PHS 12B-1B39 |
| | 40 | 242,81 | A B | 20 - | 20 | 70 | 100 | 40 | 11,10 | 3,80 5,54 | PHS 12B-1A40 PHS 12B-1B40 |
| | 41 | 248,87 | A B | 25 - | 20 | 70 | 110 | 56 | 11,10 | 3,97 5,78 | PHS 12B-1A41 PHS 12B-1B41 |
| | 42 | 254,93 | A B | 25 - | 20 | 70 | 110 | 56 | 11,10 | 4,18 6,02 | PHS 12B-1A42 PHS 12B-1B42 |
| | 43 | 260,98 | A B | 25 - | 20 | 70 | 110 | 56 | 11,10 | 4,43 6,26 | PHS 12B-1A43 PHS 12B-1B43 |
| | 44 | 267,04 | A B | 25 - | 20 | 70 | 110 | 56 | 11,10 | 4,60 6,50 | PHS 12B-1A44 PHS 12B-1B44 |
| | 45 | 273,10 | A B | 25 - | 20 | 60 | 110 | 56 | 11,10 | 4,77 6,30 | PHS 12B-1A45 PHS 12B-1B45 |
| | 46 | 279,16 | A B | 25 - | 20 | 70 | 110 | 56 | 11,10 | 5,07 6,98 | PHS 12B-1A46 PHS 12B-1B46 |
| | 47 | 285,21 | A B | 25 - | 20 | 70 | 110 | 56 | 11,10 | 5,30 7,22 | PHS 12B-1A47 PHS 12B-1B47 |
| | 48 | 291,27 | A B | 25 - | 20 | 70 | 110 | 56 | 11,10 | 5,55 7,46 | PHS 12B-1A48 PHS 12B-1B48 |
| | 49 | 297,33 | A B | 25 - | 20 | 70 | 110 | 56 | 11,10 | 5,81 7,70 | PHS 12B-1A49 PHS 12B-1B49 |
| | 50 | 303,39 | A B | 25 - | 20 | 70 | 110 | 56 | 11,10 | 6,06 7,94 | PHS 12B-1A50 PHS 12B-1B50 |
| | 54 | 327,64 | A B | 25 - | 20 | 70 | 110 | 56 | 11,10 | 7,08 8,90 | PHS 12B-1A54 PHS 12B-1B54 |
| | 57 | 345,81 | A B | 25 - | 20 | 60 | 110 | 56 | 11,10 | 7,84 7,75 | PHS 12B-1A57 PHS 12B-1B57 |
| | 60 | 363,99 | A B | 25 - | 20 | 70 | 110 | 56 | 11,10 | 8,82 10,34 | PHS 12B-1A60 PHS 12B-1B60 |
| 65 | 394,29 | A B | 25 - | 20 | 70 | 110 | 56 | 11,10 | 10,46 11,64 | PHS 12B-1A65 PHS 12B-1B65 | |
| 68 | 412,49 | A B | 30 - | 20 | 70 | 110 | 56 | 11,10 | 11,44 12,20 | PHS 12B-1A68 PHS 12B-1B68 | |

| Pitch | Number of teeth | Pitch diameter PD | Type | Dimensions | | Hub | | Plate thickness t ₁ | Mass | Designation | | |
|-------|-----------------|----------------------|--------|------------|---------|---------|----------|-----------------------------------|------------|----------------|--------------------------------|------------------------------|
| | | | | Bore stock | Bore | H | L | | | | | |
| | | | | Min. | Max. | mm | mm | | | | | |
| mm | - | mm | - | mm | mm | mm | mm | mm | kg | - | | |
| 19,05 | 70 | 424,60 | A B | 30 - | - 20 | - 70 | - 110 | - 56 | - 11,10 | 12,10 12,74 | PHS 12B-1A70 PHS 12B-1B70 | |
| | 72 | 436,74 | A B | 30 - | - 20 | - 80 | - 110 | - 56 | - 11,10 | 12,75 13,22 | PHS 12B-1A72 PHS 12B-1B72 | |
| | 76 | 460,99 | A B | 30 - | - 20 | - 60 | - 110 | - 56 | - 11,10 | 14,06 12,50 | PHS 12B-1A76 PHS 12B-1B76 | |
| | 80 | 485,22 | A B | 30 - | - 20 | - 80 | - 110 | - 56 | - 11,10 | 15,73 15,14 | PHS 12B-1A80 PHS 12B-1B80 | |
| | 84 | 509,48 | A B | 30 - | - 20 | - 80 | - 110 | - 56 | - 11,10 | 17,40 16,10 | PHS 12B-1A84 PHS 12B-1B84 | |
| | 90 | 545,85 | A B | 30 - | - 20 | - 80 | - 110 | - 56 | - 11,10 | 19,91 17,23 | PHS 12B-1A90 PHS 12B-1B90 | |
| | 92 | 557,98 | A B | 30 - | - 20 | - 80 | - 110 | - 56 | - 11,10 | 20,75 18,19 | PHS 12B-1A92 PHS 12B-1B92 | |
| | 95 | 576,17 | A B | 30 - | - 20 | - 92 | - 110 | - 56 | - 11,10 | 22,00 18,74 | PHS 12B-1A95 PHS 12B-1B95 | |
| | 96 | 582,23 | A B | 30 - | - 20 | - 92 | - 110 | - 56 | - 11,10 | 22,42 18,98 | PHS 12B-1A96 PHS 12B-1B96 | |
| | 114 | 691,36 | A B | 30 - | - 20 | - 92 | - 110 | - 56 | - 11,10 | 29,94 23,30 | PHS 12B-1A114 PHS 12B-1B114 | |
| | 25,40 | 8 | 66,37 | A B | 12 - | - 16 | - 22 | - 42 | - 35 | - 16,18 | 0,34 0,50 | PHS 16B-1A8 PHS 16B-1B8 |
| | | 9 | 74,27 | A B | 12 - | - 16 | - 28 | - 50 | - 35 | - 16,18 | 0,44 0,68 | PHS 16B-1A9 PHS 16B-1B9 |
| | | 10 | 82,19 | A B | 12 - | - 16 | - 34 | - 55 | - 35 | - 16,18 | 0,96 0,87 | PHS 16B-1A10 PHS 16B-1B10 |
| | | 11 | 90,14 | A B | 16 - | - 16 | - 38 | - 61 | - 40 | - 16,18 | 0,68 1,18 | PHS 16B-1A11 PHS 16B-1B11 |
| | | 12 | 98,14 | A B | 16 - | - 16 | - 44 | - 69 | - 40 | - 16,18 | 0,81 1,48 | PHS 16B-1A12 PHS 16B-1B12 |
| 13 | | 106,12 | A B | 16 - | - 16 | - 48 | - 78 | - 40 | - 16,18 | 1,00 1,82 | PHS 16B-1A13 PHS 16B-1B13 | |
| 14 | | 114,15 | A B | 16 - | - 16 | - 53 | - 84 | - 40 | - 16,18 | 1,13 2,14 | PHS 16B-1A14 PHS 16B-1B14 | |
| 15 | | 122,17 | A B | 16 - | - 16 | - 58 | - 92 | - 40 | - 16,18 | 1,30 2,52 | PHS 16B-1A15 PHS 16B-1B15 | |
| 16 | | 130,20 | A B | 20 - | - 20 | - 64 | - 100 | - 45 | - 16,18 | 1,49 3,19 | PHS 16B-1A16 PHS 16B-1B16 | |
| 17 | | 138,22 | A B | 20 - | - 20 | - 70 | - 100 | - 45 | - 16,18 | 1,68 3,41 | PHS 16B-1A17 PHS 16B-1B17 | |
| 18 | | 146,28 | A B | 20 - | - 20 | - 70 | - 100 | - 45 | - 16,18 | 1,91 3,62 | PHS 16B-1A18 PHS 16B-1B18 | |
| 19 | | 154,33 | A B | 20 - | - 20 | - 70 | - 100 | - 45 | - 16,18 | 2,12 3,86 | PHS 16B-1A19 PHS 16B-1B19 | |

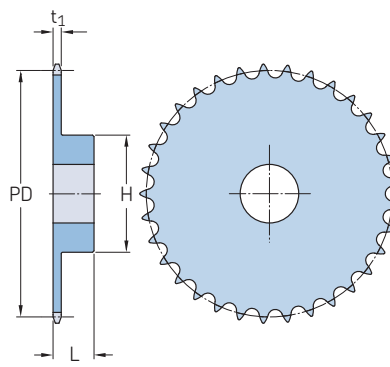
Maximum bores can accommodate standard keyways. Larger bores are available where a shallow keyway is used or no keyway is required. All Type B or C sprockets, up to and including 25 tooth, are with hardened teeth as standard. For any additional size sprockets with hardened teeth, add "H" before the number of teeth, e.g. PHS 08B-1AH8.

Metric sprockets, simplex, pilot bore

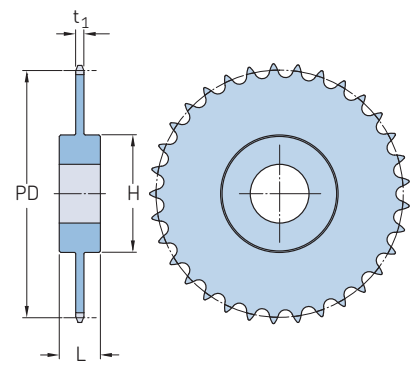
ISO 16B-1 · 25,40 mm pitch | ISO 20B-1 · 31,75 mm pitch



Type A



Type B



Type C

| Pitch | Number of teeth | Pitch diameter | Type | Dimensions | | | | Mass | Designation | |
|-------|-----------------|----------------|------|------------|--------|--------|-----------------|----------------|------------------------------|------------------------------|
| | | | | Bore stock | Bore | Hub | Plate thickness | | | |
| | | PD | | Min. | Max. | H | L | t ₁ | | |
| mm | - | mm | - | mm | | | | kg | - | |
| 25,40 | 28 | 226,85 | A | 20 | - | - | - | - | 4,79 | PHS 16B-1A28 PHS 16B-1B28 |
| | | | B | 20 | 76 | 120 50 | 16,18 | 7,72 | | |
| | 29 | 234,92 | A | 20 | - | - | - | - | 5,14 | PHS 16B-1A29 PHS 16B-1B29 |
| | | | B | 20 | 76 | 120 50 | 16,18 | 8,11 | | |
| | 30 | 243,00 | A | 20 | - | - | - | - | 5,53 | PHS 16B-1A30 PHS 16B-1B30 |
| | | | B | 20 | 76 | 120 50 | 16,18 | 8,47 | | |
| | 31 | 251,08 | A | 25 | - | - | - | - | 5,89 | PHS 16B-1A31 PHS 16B-1B31 |
| | | | B | 25 | 76 | 120 50 | 16,18 | 8,78 | | |
| | 32 | 259,13 | A | 25 | - | - | - | - | 6,33 | PHS 16B-1A32 PHS 16B-1B32 |
| | | | B | 25 | 76 | 120 50 | 16,18 | 9,19 | | |
| | 33 | 267,21 | A | 25 | - | - | - | - | 6,70 | PHS 16B-1A33 PHS 16B-1B33 |
| | | | B | 25 | 76 | 120 50 | 16,18 | 9,63 | | |
| | 34 | 275,28 | A | 25 | - | - | - | - | 7,00 | PHS 16B-1A34 PHS 16B-1B34 |
| | | | B | 25 | 76 | 120 50 | 16,18 | 10,02 | | |
| | 35 | 283,36 | A | 25 | - | - | - | - | 7,60 | PHS 16B-1A35 PHS 16B-1B35 |
| | | | B | 25 | 76 | 120 50 | 16,18 | 10,50 | | |
| | 36 | 291,44 | A | 25 | - | - | - | - | 8,08 | PHS 16B-1A36 PHS 16B-1B36 |
| | | | B | 25 | 76 | 120 50 | 16,18 | 10,90 | | |
| | 37 | 299,51 | A | 25 | - | - | - | - | 8,50 | PHS 16B-1A37 PHS 16B-1B37 |
| | | | B | 25 | 76 | 120 50 | 16,18 | 11,30 | | |
| 38 | 307,59 | A | 25 | - | - | - | - | 8,98 | PHS 16B-1A38 PHS 16B-1B38 | |
| | | B | 25 | 76 | 120 50 | 16,18 | 11,86 | | | |
| 39 | 315,67 | A | 25 | - | - | - | - | 9,34 | PHS 16B-1A39 PHS 16B-1B39 | |
| | | B | 25 | 76 | 120 50 | 16,18 | 12,32 | | | |
| 40 | 323,75 | A | 25 | - | - | - | - | 9,94 | PHS 16B-1A40 PHS 16B-1B40 | |
| | | B | 25 | 76 | 125 50 | 16,18 | 12,86 | | | |
| 41 | 331,82 | A | 25 | - | - | - | - | 10,50 | PHS 16B-1A41 PHS 16B-1B41 | |
| | | B | 25 | 80 | 125 68 | 16,18 | 13,40 | | | |
| 42 | 339,90 | A | 25 | - | - | - | - | 11,02 | PHS 16B-1A42 PHS 16B-1B42 | |
| | | B | 25 | 80 | 125 68 | 16,18 | 13,94 | | | |
| 43 | 347,98 | A | 25 | - | - | - | - | 11,64 | PHS 16B-1A43 PHS 16B-1B43 | |
| | | B | 25 | 80 | 125 68 | 16,18 | 14,48 | | | |
| 44 | 356,06 | A | 25 | - | - | - | - | 12,08 | PHS 16B-1A44 PHS 16B-1B44 | |
| | | B | 25 | 80 | 125 68 | 16,18 | 15,02 | | | |
| 45 | 364,13 | A | 25 | - | - | - | - | 12,60 | PHS 16B-1A45 PHS 16B-1B45 | |
| | | B | 25 | 65 | 125 68 | 16,18 | 13,00 | | | |
| 46 | 372,21 | A | 25 | - | - | - | - | 13,20 | PHS 16B-1A46 PHS 16B-1B46 | |
| | | B | 25 | 80 | 125 68 | 16,18 | 16,10 | | | |
| 47 | 380,29 | A | 25 | - | - | - | - | 13,94 | PHS 16B-1A47 PHS 16B-1B47 | |
| | | B | 25 | 80 | 125 68 | 16,18 | 16,64 | | | |
| 48 | 388,36 | A | 25 | - | - | - | - | 14,54 | PHS 16B-1A48 PHS 16B-1B48 | |
| | | B | 25 | 80 | 125 68 | 16,18 | 17,18 | | | |
| 50 | 404,52 | A | 25 | - | - | - | - | 15,86 | PHS 16B-1A50 PHS 16B-1B50 | |
| | | B | 25 | 80 | 125 68 | 16,18 | 18,26 | | | |
| 31,75 | 8 | 82,97 | A | 16 | - | - | - | - | 0,63 | PHS 20B-1A8 PHS 20B-1B8 |
| | | | B | 20 | 57 | 53 40 | 18,59 | 1,04 | | |
| | 9 | 92,83 | A | 16 | - | - | - | - | 0,95 | PHS 20B-1A9 PHS 20B-1B9 |
| | | | B | 20 | 57 | 63 40 | 18,59 | 1,45 | | |
| | 10 | 102,75 | A | 16 | - | - | - | - | 1,27 | PHS 20B-1A10 PHS 20B-1B10 |
| | | | B | 20 | 60 | 70 40 | 18,59 | 1,86 | | |
| | 11 | 112,70 | A | 16 | - | - | - | - | 1,59 | PHS 20B-1A11 PHS 20B-1B11 |
| | | | B | 20 | 70 | 77 45 | 18,59 | 2,40 | | |
| | 12 | 122,67 | A | 20 | - | - | - | - | 1,91 | PHS 20B-1A12 PHS 20B-1B12 |
| | | | B | 20 | 76 | 88 45 | 18,59 | 2,95 | | |
| | 13 | 132,67 | A | 20 | - | - | - | - | 2,18 | PHS 20B-1A13 PHS 20B-1B13 |
| | | | B | 20 | 76 | 98 45 | 18,59 | 3,00 | | |
| | 14 | 142,68 | A | 20 | - | - | - | - | 2,49 | PHS 20B-1A14 PHS 20B-1B14 |
| | | | B | 20 | 76 | 108 45 | 18,59 | 3,40 | | |
| | 15 | 152,71 | A | 20 | - | - | - | - | 2,68 | PHS 20B-1A15 PHS 20B-1B15 |
| | | | B | 20 | 76 | 118 50 | 18,59 | 4,31 | | |
| | 16 | 162,75 | A | 20 | - | - | - | - | 3,08 | PHS 20B-1A16 PHS 20B-1B16 |
| | | | B | 20 | 76 | 120 50 | 18,59 | 4,63 | | |

Maximum bores can accommodate standard keyways. Larger bores are available where a shallow keyway is used or no keyway is required. All Type B or C sprockets, up to and including 25 tooth, are with hardened teeth as standard. For any additional size sprockets with hardened teeth, add "H" before the number of teeth, e.g. PHS 08B-1AH8.

Metric sprockets, simplex, pilot bore

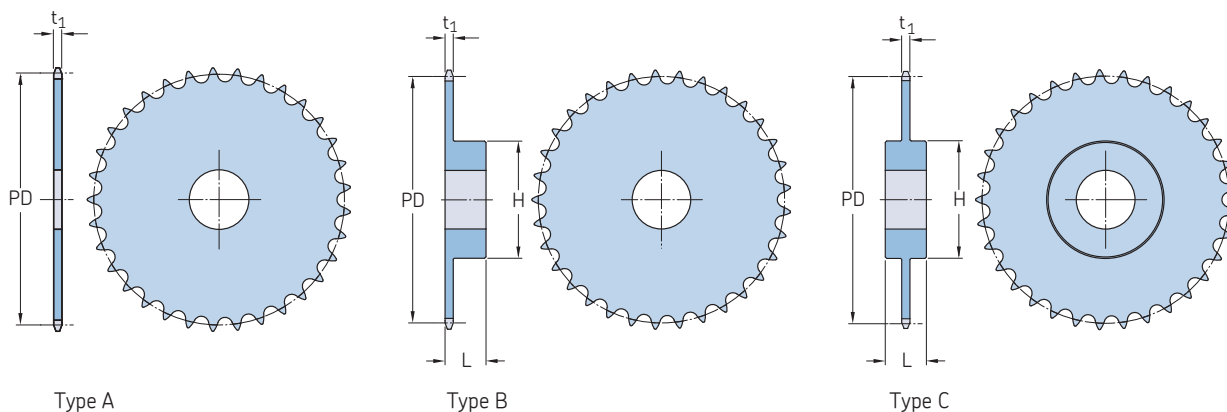
ISO 20B-1 · 31,75 mm pitch | ISO 24B-1 · 38,10 mm pitch

| Pitch | Number of teeth | Pitch diameter | Type | Dimensions | | | | Hub | Plate thickness t ₁ | Mass | Designation |
|--------------|--------------------|-------------------|------|---------------|------|--------|--------|-------|--------------------------------------|---------------|---------------|
| | | | | Bore stock | Bore | H | L | | | | |
| | | | | | | | | | | | |
| mm | – | mm | – | mm | – | mm | – | mm | kg | – | |
| 31,75 | 17 | 172,79 | A | 20 | – | – | – | – | – | 3,54 | PHS 20B-1A17 |
| | | | B | – | 25 | 76 | 120 50 | 18,59 | 4,99 | PHS 20B-1BH17 | |
| | 18 | 182,84 | A | 20 | – | – | – | – | – | 3,81 | PHS 20B-1A18 |
| | | | B | – | 25 | 76 | 120 50 | 18,59 | 5,44 | PHS 20B-1BH18 | |
| | 19 | 192,90 | A | 20 | – | – | – | – | – | 4,31 | PHS 20B-1A19 |
| | | | B | – | 25 | 76 | 120 50 | 18,59 | 5,90 | PHS 20B-1BH19 | |
| | 20 | 202,96 | A | 20 | – | – | – | – | – | 4,58 | PHS 20B-1A20 |
| | | | B | – | 25 | 76 | 120 50 | 18,59 | 6,35 | PHS 20B-1BH20 | |
| | 21 | 213,03 | A | 25 | – | – | – | – | – | 5,17 | PHS 20B-1A21 |
| | | | B | – | 25 | 76 | 140 55 | 18,59 | 7,03 | PHS 20B-1BH21 | |
| | 22 | 223,10 | A | 25 | – | – | – | – | – | 5,72 | PHS 20B-1A22 |
| | | | B | – | 25 | 76 | 140 55 | 18,59 | 7,71 | PHS 20B-1BH22 | |
| | 23 | 233,17 | A | 25 | – | – | – | – | – | 5,99 | PHS 20B-1A23 |
| | | | B | – | 25 | 84 | 140 55 | 18,59 | 8,16 | PHS 20B-1BH23 | |
| | 24 | 243,25 | A | 25 | – | – | – | – | – | 6,62 | PHS 20B-1A24 |
| | | | B | – | 25 | 84 | 140 55 | 18,59 | 8,62 | PHS 20B-1BH24 | |
| | 25 | 253,32 | A | 25 | – | – | – | – | – | 6,94 | PHS 20B-1A25 |
| | | | B | – | 25 | 84 | 140 55 | 18,59 | 9,07 | PHS 20B-1BH25 | |
| | 26 | 263,41 | A | 25 | – | – | – | – | – | 7,62 | PHS 20B-1A26 |
| | | | B | – | 25 | 84 | 150 55 | 18,59 | 9,53 | PHS 20B-1B26 | |
| | 27 | 273,49 | A | 25 | – | – | – | – | – | 8,35 | PHS 20B-1A27 |
| | | | B | – | 25 | 84 | 150 55 | 18,59 | 10,43 | PHS 20B-1B27 | |
| | 28 | 283,57 | A | 25 | – | – | – | – | – | 8,85 | PHS 20B-1A28 |
| | | | B | – | 25 | 84 | 150 55 | 18,59 | 11,34 | PHS 20B-1B28 | |
| | 29 | 293,66 | A | 25 | – | – | – | – | – | 9,43 | PHS 20B-1A29 |
| | | | B | – | 25 | 84 | 150 55 | 18,59 | 11,76 | PHS 20B-1B29 | |
| | 30 | 303,75 | A | 25 | – | – | – | – | – | 9,98 | PHS 20B-1A30 |
| | | | B | – | 25 | 84 | 150 55 | 18,59 | 12,02 | PHS 20B-1B30 | |
| | 31 | 313,83 | A | 25 | – | – | – | – | – | 10,73 | PHS 20B-1A31 |
| | | | B | – | 25 | 84 | 150 55 | 18,59 | 12,77 | PHS 20B-1B31 | |
| | 32 | 323,92 | A | 25 | – | – | – | – | – | 11,49 | PHS 20B-1A32 |
| | | | B | – | 25 | 84 | 150 55 | 18,59 | 13,52 | PHS 20B-1B32 | |
| | 33 | 334,01 | A | 25 | – | – | – | – | – | 12,24 | PHS 20B-1A33 |
| | | | B | – | 25 | 84 | 150 55 | 18,59 | 14,59 | PHS 20B-1B33 | |
| | 34 | 344,10 | A | 25 | – | – | – | – | – | 13,00 | PHS 20B-1A34 |
| | | | B | – | 25 | 84 | 150 55 | 18,59 | 15,66 | PHS 20B-1B34 | |
| | 35 | 354,20 | A | 25 | – | – | – | – | – | 13,75 | PHS 20B-1A35 |
| | | | B | – | 25 | 84 | 150 55 | 18,59 | 16,74 | PHS 20B-1B35 | |
| | 36 | 364,29 | A | 25 | – | – | – | – | – | 14,50 | PHS 20B-1A36 |
| | | | B | – | 25 | 84 | 150 55 | 18,59 | 17,51 | PHS 20B-1B36 | |
| | 37 | 374,38 | A | 25 | – | – | – | – | – | 15,25 | PHS 20B-1A37 |
| | | | B | – | 25 | 84 | 150 55 | 18,59 | 18,17 | PHS 20B-1B37 | |
| | 38 | 384,48 | A | 25 | – | – | – | – | – | 16,01 | PHS 20B-1A38 |
| | | | B | – | 25 | 84 | 150 55 | 18,59 | 18,82 | PHS 20B-1B38 | |
| | 39 | 394,57 | A | 25 | – | – | – | – | – | 16,76 | PHS 20B-1A39 |
| | | | B | – | 25 | 84 | 150 55 | 18,59 | 19,78 | PHS 20B-1B39 | |
| 40 | 404,67 | A | 25 | – | – | – | – | – | 17,52 | PHS 20B-1A40 | |
| | | B | – | 25 | 84 | 150 55 | 18,59 | 21,27 | PHS 20B-1B40 | | |
| 41 | 414,77 | A | 30 | – | – | – | – | – | 18,27 | PHS 20B-1A41 | |
| | | B | – | 25 | 84 | 150 70 | 18,59 | 22,07 | PHS 20B-1B41 | | |
| 42 | 424,88 | A | 30 | – | – | – | – | – | 19,03 | PHS 20B-1A42 | |
| | | B | – | 25 | 84 | 150 70 | 18,59 | 22,86 | PHS 20B-1B42 | | |
| 43 | 434,96 | A | 30 | – | – | – | – | – | 19,78 | PHS 20B-1A43 | |
| | | B | – | 25 | 84 | 150 70 | 18,59 | 23,40 | PHS 20B-1B43 | | |
| 44 | 445,06 | A | 30 | – | – | – | – | – | 20,53 | PHS 20B-1A44 | |
| | | B | – | 25 | 84 | 150 70 | 18,59 | 23,95 | PHS 20B-1B44 | | |
| 45 | 455,15 | A | 30 | – | – | – | – | – | 21,29 | PHS 20B-1A45 | |
| | | B | – | 25 | 84 | 150 70 | 18,59 | 24,49 | PHS 20B-1B45 | | |
| 46 | 465,25 | A | 30 | – | – | – | – | – | 22,04 | PHS 20B-1A46 | |
| | | B | – | 25 | 84 | 150 70 | 18,59 | 26,31 | PHS 20B-1B46 | | |
| 38,10 | 47 | 475,35 | A | 30 | – | – | – | – | – | 22,79 | PHS 20B-1A47 |
| | | | B | – | 25 | 84 | 150 70 | 18,59 | 28,12 | PHS 20B-1B47 | |
| | 48 | 485,45 | A | 30 | – | – | – | – | – | 23,55 | PHS 20B-1A48 |
| | | | B | – | 25 | 102 | 150 70 | 18,59 | 29,94 | PHS 20B-1B48 | |
| | 49 | 495,55 | A | 30 | – | – | – | – | – | 24,30 | PHS 20B-1A49 |
| | | | B | – | 25 | 102 | 150 70 | 18,59 | 31,76 | PHS 20B-1B49 | |
| | 50 | 505,65 | A | 30 | – | – | – | – | – | 25,06 | PHS 20B-1A50 |
| | | | B | – | 25 | 102 | 150 70 | 18,59 | 33,57 | PHS 20B-1B50 | |
| | 51 | 515,75 | A | 30 | – | – | – | – | – | 24,43 | PHS 20B-1A51 |
| | | | B | – | 25 | 102 | 150 80 | 18,59 | 35,39 | PHS 20B-1B51 | |
| | 52 | 525,85 | A | 30 | – | – | – | – | – | 25,85 | PHS 20B-1A52 |
| | | | B | – | 25 | 102 | 150 80 | 18,59 | 37,21 | PHS 20B-1B52 | |
| | 53 | 535,95 | A | 30 | – | – | – | – | – | 27,27 | PHS 20B-1A53 |
| | | | B | – | 25 | 102 | 150 80 | 18,59 | 39,02 | PHS 20B-1B53 | |
| | 54 | 546,05 | A | 30 | – | – | – | – | – | 25,70 | PHS 20B-1A54 |
| | | | C | – | 25 | 102 | 150 80 | 18,59 | 32,90 | PHS 20B-1C54 | |
| | 55 | 556,15 | A | 30 | – | – | – | – | – | 30,12 | PHS 20B-1A55 |
| | | | C | – | 25 | 102 | 150 80 | 18,59 | 34,77 | PHS 20B-1C55 | |
| | 56 | 566,25 | A | 30 | – | – | – | – | – | 31,34 | PHS 20B-1A56 |
| | | | C | – | 25 | 102 | 150 80 | 18,59 | 36,63 | PHS 20B-1C56 | |
| | 57 | 576,35 | A | 30 | – | – | – | – | – | 32,96 | PHS 20B-1A57 |
| | | | C | – | 25 | 102 | 150 80 | 18,59 | 38,50 | PHS 20B-1C57 | |
| | 58 | 586,45 | A | 30 | – | – | – | – | – | 35,80 | PHS 20B-1A58 |
| | | | C | – | 25 | 102 | 150 80 | 18,59 | 40,37 | PHS 20B-1C58 | |
| | 59 | 596,56 | A | 30 | – | – | – | – | – | 37,22 | PHS 20B-1A59 |
| | | | C | – | 25 | 102 | 150 80 | 18,59 | 42,24 | PHS 20B-1C59 | |
| | 60 | 606,66 | A | 30 | – | – | – | – | – | 38,64 | PHS 20B-1A60 |
| | | | C | – | 25 | 102 | 150 80 | 18,59 | 44,10 | PHS 20B-1C60 | |
| | 70 | 707,68 | A | 30 | – | – | – | – | – | 52,85 | PHS 20B-1A70 |
| | | | C | – | 25 | 133 | 150 80 | 18,59 | 65,36 | PHS 20B-1C70 | |
| | 72 | 727,89 | A | 30 | – | – | – | – | – | 55,70 | PHS 20B-1A72 |
| | | | C | – | 25 | 133 | 150 80 | 18,59 | 67,23 | PHS 20B-1C72 | |
| | 76 | 768,30 | A | 30 | – | – | – | – | – | 61,38 | PHS 20B-1A76 |
| | | | C | – | 25 | 133 | 150 80 | 18,59 | 70,98 | PHS 20B-1C76 | |
| | 80 | 808,71 | A | 30 | – | – | – | – | – | 67,06 | PHS 20B-1A80 |
| | | | C | – | 25 | 133 | 150 80 | 18,59 | 74,70 | PHS 20B-1C80 | |
| | 84 | 849,13 | A | 30 | – | – | – | – | – | 72,75 | PHS 20B-1A84 |
| | | | C | – | 25 | 133 | 150 90 | 18,59 | 78,43 | PHS 20B-1C84 | |
| | 90 | 909,76 | A | 30 | – | – | – | – | – | 81,27 | PHS 20B-1A90 |
| | | | C | – | 25 | 133 | 150 90 | 18,59 | 84,03 | PHS 20B-1C90 | |
| | 95 | 960,28 | A | 30 | – | – | – | – | – | 102,42 | PHS 20B-1A95 |
| | | | C | – | 25 | 133 | 150 90 | 18,59 | 117,18 | PHS 20B-1C95 | |
| | 96 | 970,38 | A | 30 | – | – | – | – | – | 103,84 | PHS 20B-1A96 |
| | | | C | – | 25 | 133 | 150 90 | 18,59 | 117,56 | PHS 20B-1C96 | |
| | 114 | 1 152,27 | A | 30 | – | – | – | – | – | 130,84 | PHS 20B-1A114 |
| | | | C | – | 25 | 133 | 150 90 | 18,59 | 124,40 | PHS 20B-1C114 | |
| 9 | 111,40 | A | 20 | – | – | – | – | – | 1,69 | PHS 24B-1A9 | |
| | | B | – | 20 | 45 | 70 45 | 24,13 | 2,02 | PHS 24B-1BH9 | | |
| 10 | 123,29 | A | 20 | – | – | – | – | – | 1,88 | PHS 24B-1A10 | |
| | | B | – | 20 | 52 | 80 45 | 24,13 | 2,61 | PHS 24B-1BH10 | | |
| 11 | 135,23 | A | 20 | – | – | – | – | – | 2,06 | PHS 24B-1A11 | |
| | | B | – | 25 | 60 | 90 50 | 24,13 | 3,77 | PHS 24B-1BH11 | | |
| 12 | 147,21 | A | 20 | – | – | – | – | – | 2,68 | PHS 24B-1A12 | |
| | | B | – | 25 | 67 | 102 50 | 24,13 | 4,77 | PHS 24B-1BH12 | | |
| 13 | 159,20 | A | 20 | – | – | – | – | – | 3,06 | PHS 24B-1A13 | |
| | | B | – | 25 | 76 | 114 50 | 24,13 | 5,91 | PHS 24B-1BH13 | | |
| 14 | 171,22 | A | 20 | – | – | – | – | – | 3,72 | PHS 24B-1A14 | |
| | | B | – | 25 | 86 | 128 50 | 24,13 | 6,68 | PHS 24B-1BH14 | | |
| 15 | 183,25 | A | 20 | – | – | – | – | – | 4,31 | PHS 24B-1A15 | |
| | | B | – | 25 | 92 | 132 50 | 24,13 | 7,49 | PHS 24B-1BH15 | | |

Maximum bores can accommodate standard keyways. Larger bores are available where a shallow keyway is used or no keyway is required. All Type B or C sprockets, up to and including 25 tooth, are with hardened teeth as standard. For any additional size sprockets with hardened

Metric sprockets, simplex, pilot bore

ISO 24B-1 · 38,10 mm pitch | ISO 28B-1 · 44,45 mm pitch



| Pitch | Number of teeth | Pitch diameter | Type | Dimensions | | | | Mass | Designation |
|-------|-----------------|----------------|------|------------|------|-------|--------------------------------|--------------|---------------|
| | | | | Bore stock | Bore | Hub H | Plate thickness t ₁ | | |
| mm | - | mm | - | mm | mm | mm | mm | kg | - |
| 38,10 | 16 | 195,29 | A | 25 | - | - | - | 4,86 | PHS 24B-1A16 |
| | | | B | 25 | 92 | 136 | 55 | 24,13 | 9,08 |
| | 17 | 207,35 | A | 25 | - | - | - | 5,44 | PHS 24B-1A17 |
| | | | B | 25 | 92 | 136 | 55 | 24,13 | 9,76 |
| | 18 | 219,41 | A | 25 | - | - | - | 6,13 | PHS 24B-1A18 |
| | | | B | 25 | 92 | 136 | 55 | 24,13 | 10,49 |
| | 19 | 231,48 | A | 25 | - | - | - | 7,03 | PHS 24B-1A19 |
| | | | B | 25 | 92 | 136 | 55 | 24,13 | 11,21 |
| | 20 | 243,55 | A | 25 | - | - | - | 7,94 | PHS 24B-1A20 |
| | | | B | 25 | 92 | 136 | 55 | 24,13 | 12,26 |
| | 21 | 255,63 | A | 25 | - | - | - | 8,62 | PHS 24B-1A21 |
| | | | B | 25 | 92 | 150 | 60 | 24,13 | 13,38 |
| | 22 | 267,72 | A | 25 | - | - | - | 9,76 | PHS 24B-1A22 |
| | | | B | 25 | 92 | 150 | 60 | 24,13 | 13,67 |
| | 23 | 179,80 | A | 25 | - | - | - | 10,43 | PHS 24B-1A23 |
| | | | B | 25 | 92 | 150 | 60 | 24,13 | 14,74 |
| | 24 | 291,90 | A | 25 | - | - | - | 11,35 | PHS 24B-1A24 |
| | | | B | 25 | 92 | 150 | 60 | 24,13 | 15,48 |
| 25 | 303,99 | A | 25 | - | - | - | 12,47 | PHS 24B-1A25 | |
| | | B | 25 | 92 | 150 | 60 | 24,13 | 16,38 | PHS 24B-1BH25 |
| 26 | 316,09 | A | 30 | - | - | - | 13,39 | PHS 24B-1A26 | |
| | | B | 30 | 102 | 150 | 65 | 24,13 | 19,43 | PHS 24B-1B26 |
| 27 | 328,19 | A | 30 | - | - | - | 14,53 | PHS 24B-1A27 | |
| | | B | 30 | 102 | 150 | 65 | 24,13 | 20,39 | PHS 24B-1B27 |
| 28 | 340,29 | A | 30 | - | - | - | 15,89 | PHS 24B-1A28 | |
| | | B | 30 | 102 | 150 | 65 | 24,13 | 21,34 | PHS 24B-1B28 |
| 29 | 352,39 | A | 30 | - | - | - | 17,02 | PHS 24B-1A29 | |
| | | B | 30 | 102 | 150 | 65 | 24,13 | 22,79 | PHS 24B-1B29 |
| 30 | 364,49 | A | 30 | - | - | - | 18,39 | PHS 24B-1A30 | |
| | | B | 30 | 102 | 150 | 65 | 24,13 | 24,25 | PHS 24B-1B30 |
| 31 | 376,60 | A | 30 | - | - | - | 20,02 | PHS 24B-1A31 | |
| | | B | 30 | 102 | 150 | 65 | 24,13 | 26,19 | PHS 24B-1B31 |
| 32 | 388,71 | A | 30 | - | - | - | 21,66 | PHS 24B-1A32 | |
| | | B | 30 | 102 | 150 | 65 | 24,13 | 28,12 | PHS 24B-1B32 |
| 33 | 400,82 | A | 30 | - | - | - | 23,29 | PHS 24B-1A33 | |
| | | B | 30 | 102 | 150 | 65 | 24,13 | 30,05 | PHS 24B-1B33 |
| 34 | 412,93 | A | 30 | - | - | - | 24,93 | PHS 24B-1A34 | |
| | | B | 30 | 102 | 150 | 65 | 24,13 | 31,99 | PHS 24B-1B34 |
| 35 | 425,04 | A | 30 | - | - | - | 26,56 | PHS 24B-1A35 | |
| | | B | 30 | 102 | 150 | 65 | 24,13 | 33,93 | PHS 24B-1B35 |
| 36 | 437,15 | A | 30 | - | - | - | 28,19 | PHS 24B-1A36 | |
| | | B | 30 | 102 | 150 | 65 | 24,13 | 35,86 | PHS 24B-1B36 |
| 38 | 461,37 | A | 30 | - | - | - | 31,46 | PHS 24B-1A38 | |
| | | B | 30 | 102 | 150 | 65 | 24,13 | 39,73 | PHS 24B-1B38 |

| Pitch | Number of teeth | Pitch diameter | Type | Dimensions | | | | Mass | Designation |
|-------|-----------------|----------------|------|------------|------|-------|--------------------------------|---------------|---------------|
| | | | | Bore stock | Bore | Hub H | Plate thickness t ₁ | | |
| mm | - | mm | - | mm | mm | mm | mm | kg | - |
| 38,10 | 40 | 485,60 | A | 30 | - | - | - | 36,23 | PHS 24B-1A40 |
| | | | B | 30 | 102 | 150 | 65 | 24,13 | 42,52 |
| | 42 | 509,83 | A | 30 | - | - | - | 40,99 | PHS 24B-1A42 |
| | | | C | 30 | 102 | 160 | 90 | 24,13 | 45,31 |
| | 45 | 546,19 | A | 30 | - | - | - | 48,14 | PHS 24B-1A45 |
| | | | C | 30 | 102 | 160 | 90 | 24,13 | 50,71 |
| | 48 | 482,54 | A | 30 | - | - | - | 55,29 | PHS 24B-1A48 |
| | | | C | 30 | 102 | 160 | 90 | 24,13 | 57,43 |
| | 50 | 606,78 | A | 30 | - | - | - | 60,05 | PHS 24B-1A50 |
| | | | C | 30 | 102 | 160 | 90 | 24,13 | 61,57 |
| | 54 | 655,26 | A | 30 | - | - | - | 69,58 | PHS 24B-1A54 |
| | | | C | 30 | 102 | 160 | 100 | 24,13 | 69,84 |
| | 57 | 691,62 | A | 30 | - | - | - | 76,73 | PHS 24B-1A57 |
| | | | C | 30 | 133 | 160 | 100 | 24,13 | 76,05 |
| | 60 | 727,99 | A | 30 | - | - | - | 85,19 | PHS 24B-1A60 |
| | | | C | 30 | 133 | 160 | 100 | 24,13 | 80,05 |
| | 68 | 824,97 | A | 40 | - | - | - | 107,74 | PHS 24B-1A68 |
| | | | C | 30 | 133 | 160 | 100 | 24,13 | 93,39 |
| 72 | 873,43 | A | 40 | - | - | - | 119,02 | PHS 24B-1A72 | |
| | | C | 30 | 133 | 160 | 100 | 24,13 | 111,51 | PHS 24B-1C72 |
| 76 | 921,96 | A | 40 | - | - | - | 130,30 | PHS 24B-1A76 | |
| | | C | 30 | 133 | 160 | 100 | 24,13 | 129,62 | PHS 24B-1C76 |
| 95 | 921,96 | A | 40 | - | - | - | 183,88 | PHS 24B-1A95 | |
| | | C | 30 | 133 | 160 | 100 | 24,13 | 215,67 | PHS 24B-1C95 |
| 96 | 921,96 | A | 40 | - | - | - | 186,70 | PHS 24B-1A96 | |
| | | C | 30 | 133 | 160 | 100 | 24,13 | 220,20 | PHS 24B-1C96 |
| 114 | 921,96 | A | 40 | - | - | - | 237,46 | PHS 24B-1A114 | |
| | | C | 30 | 133 | 160 | 100 | 24,13 | 301,71 | PHS 24B-1C114 |
| 44,45 | 11 | 157,77 | A | 20 | - | - | - | 3,18 | PHS 28B-1A11 |
| | | | B | 25 | 73 | 112 | 70 | 29,44 | 5,27 |
| | 12 | 171,74 | A | 20 | - | - | - | 3,95 | PHS 28B-1A12 |
| | | | B | 25 | 84 | 125 | 70 | 29,44 | 6,40 |
| | 13 | 185,74 | A | 20 | - | - | - | 4,31 | PHS 28B-1A13 |
| | | | B | 25 | 93 | 125 | 70 | 29,44 | 8,22 |
| | 14 | 199,76 | A | 20 | - | - | - | 4,77 | PHS 28B-1A14 |
| | | | B | 25 | 93 | 125 | 70 | 29,44 | 9,13 |
| | 15 | 213,79 | A | 20 | - | - | - | 5,45 | PHS 28B-1A15 |
| | | | B | 25 | 108 | 125 | 70 | 29,44 | 11,40 |
| | 16 | 227,84 | A | 30 | - | - | - | 6,81 | PHS 28B-1A16 |
| | | | B | 30 | 108 | 160 | 75 | 29,44 | 12,76 |
| | 17 | 241,91 | A | 30 | - | - | - | 7,71 | PHS 28B-1A17 |
| | | | B | 30 | 108 | 160 | 75 | 29,44 | 13,65 |
| | 18 | 255,98 | A | 30 | - | - | - | 8,63 | PHS 28B-1A18 |
| | | | B | 30 | 108 | 160 | 75 | 29,44 | 13,65 |

Maximum bores can accommodate standard keyways. Larger bores are available where a shallow keyway is used or no keyway is required. All Type B or C sprockets, up to and including 25 tooth, are with hardened teeth as standard. For any additional size sprockets with hardened teeth, add "H" before the number of teeth, e.g. PHS 08B-1AH8.

Metric sprockets, simplex, pilot bore

ISO 28B-1 · 44,45 mm pitch | ISO 32B-1 · 50,80 mm pitch

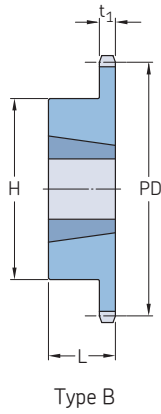
| Pitch | Number of teeth | Pitch diameter | Type | Dimensions | | | | Mass | Designation | | | |
|-------|-----------------|----------------|--------|------------|------|-----|-----|---------|---------------|-------------------------------|-------------------------------|-------------------------------|
| | | | | Bore | | Hub | | | | Plate thickness | | |
| | | | | Min. | Max. | H | L | | | | | |
| mm | - | mm | - | mm | - | mm | - | kg | - | | | |
| 44,45 | 19 | 270,06 | A B | 30 | - | - | - | - | 9,53 15,01 | PHS 28B-1A19 PHS 28B-1BH19 | | |
| | 20 | 284,14 | A B | 30 | - | 30 | 108 | 160 75 | 29,44 | 10,44 16,84 | PHS 28B-1A20 PHS 28B-1BH20 | |
| | 21 | 298,24 | A B | 30 | - | 30 | 108 | 160 75 | 29,44 | 11,79 18,19 | PHS 28B-1A21 PHS 28B-1BH21 | |
| | 22 | 312,34 | A B | 30 | - | 30 | 108 | 160 75 | 29,44 | 13,17 19,11 | PHS 28B-1A22 PHS 28B-1BH22 | |
| | 23 | 326,44 | A B | 30 | - | 30 | 108 | 160 75 | 29,44 | 14,06 20,46 | PHS 28B-1A23 PHS 28B-1BH23 | |
| | 24 | 340,54 | A B | 30 | - | 30 | 108 | 160 75 | 29,44 | 15,44 21,84 | PHS 28B-1A24 PHS 28B-1BH24 | |
| | 25 | 354,65 | A B | 30 | - | 30 | 108 | 160 75 | 29,44 | 16,78 22,73 | PHS 28B-1A25 PHS 28B-1BH25 | |
| | 26 | 368,77 | A B | 30 | - | 30 | 108 | 160 75 | 29,44 | 18,61 26,83 | PHS 28B-1A26 PHS 28B-1BH26 | |
| | 27 | 382,88 | A B | 30 | - | 30 | 108 | 160 75 | 29,44 | 20,43 27,74 | PHS 28B-1A27 PHS 28B-1BH27 | |
| | 28 | 397,00 | A B | 30 | - | 30 | 108 | 160 75 | 29,44 | 20,88 30,29 | PHS 28B-1A28 PHS 28B-1BH28 | |
| | 30 | 425,24 | A B | 30 | - | 30 | 108 | 160 75 | 29,44 | 25,17 32,73 | PHS 28B-1A30 PHS 28B-1BH30 | |
| | 32 | 453,49 | A B | 30 | - | 30 | 134 | 180 75 | 29,44 | 31,02 34,84 | PHS 28B-1A32 PHS 28B-1BH32 | |
| | 38 | 538,27 | A B | 30 | - | 30 | 134 | 180 75 | 29,44 | 48,58 51,25 | PHS 28B-1A38 PHS 28B-1BH38 | |
| | 40 | 566,54 | A C | 30 | - | 30 | 134 | 180 75 | 29,44 | 52,80 52,84 | PHS 28B-1A40 PHS 28B-1C40 | |
| | 42 | 594,81 | A C | 30 | - | 30 | 134 | 180 90 | 29,44 | 57,02 54,43 | PHS 28B-1A42 PHS 28B-1C42 | |
| | 45 | 637,22 | A C | 30 | - | 30 | 134 | 180 90 | 29,44 | 63,35 60,55 | PHS 28B-1A45 PHS 28B-1C45 | |
| | 48 | 679,63 | A C | 30 | - | 30 | 134 | 180 90 | 29,44 | 69,68 62,72 | PHS 28B-1A48 PHS 28B-1C48 | |
| | 54 | 764,47 | A C | 30 | - | 30 | 134 | 180 100 | 29,44 | 82,34 74,60 | PHS 28B-1A54 PHS 28B-1C54 | |
| | 57 | 806,89 | A C | 40 | - | 30 | 134 | 180 100 | 29,44 | 88,67 81,77 | PHS 28B-1A57 PHS 28B-1C57 | |
| | 60 | 849,32 | A C | 40 | - | 30 | 134 | 180 100 | 29,44 | 97,97 88,94 | PHS 28B-1A60 PHS 28B-1C60 | |
| | 68 | 962,47 | A C | 40 | - | 30 | 137 | 180 100 | 29,44 | 122,79 108,05 | PHS 28B-1A68 PHS 28B-1C68 | |
| | 72 | 1 019,04 | A C | 40 | - | 30 | 137 | 180 100 | 29,44 | 135,19 117,61 | PHS 28B-1A72 PHS 28B-1C72 | |
| | 76 | 1 075,62 | A C | 40 | - | 30 | 137 | 180 100 | 29,44 | 147,60 127,17 | PHS 28B-1A76 PHS 28B-1C76 | |
| | 95 | 1 344,39 | A C | 40 | - | 30 | 137 | 180 100 | 29,44 | 206,53 172,57 | PHS 28B-1A95 PHS 28B-1C95 | |
| | 50,80 | 11 | 180,31 | A B | 25 | - | 30 | 83 | 120 90 | 29,44 | 5,00 9,04 | PHS 32B-1A11 PHS 32B-1BH11 |
| | | 12 | 196,28 | A B | 25 | - | 30 | 89 | 133 90 | 29,44 | 6,02 11,11 | PHS 32B-1A12 PHS 32B-1BH12 |
| | | 13 | 212,27 | A B | 25 | - | 30 | 102 | 145 90 | 29,44 | 7,12 12,61 | PHS 32B-1A13 PHS 32B-1BH13 |
| | | 14 | 228,29 | A B | 30 | - | 30 | 102 | 145 90 | 29,44 | 8,32 14,97 | PHS 32B-1A14 PHS 32B-1BH14 |
| | | 15 | 244,33 | A B | 30 | - | 30 | 102 | 145 90 | 29,44 | 9,50 17,32 | PHS 32B-1A15 PHS 32B-1BH15 |
| | | 16 | 260,39 | A B | 30 | - | 30 | 103 | 160 90 | 29,44 | 11,64 18,78 | PHS 32B-1A16 PHS 32B-1BH16 |

| Pitch | Number of teeth | Pitch diameter | Type | Dimensions | | | | Mass | Designation | | |
|-------|-----------------|----------------|--------|------------|------|-----|-----|---------|-------------|------------------|-------------------------------|
| | | | | Bore | | Hub | | | | Plate thickness | |
| | | | | Min. | Max. | H | L | | | | |
| mm | - | mm | - | mm | - | mm | - | kg | - | | |
| 50,80 | 17 | 276,46 | A B | 30 | - | 30 | 103 | 160 90 | 29,44 | 12,35 20,23 | PHS 32B-1A17 PHS 32B-1BH17 |
| | 18 | 292,55 | A B | 30 | - | 30 | 103 | 160 90 | 29,44 | 13,96 21,88 | PHS 32B-1A18 PHS 32B-1BH18 |
| | 19 | 308,64 | A B | 30 | - | 30 | 103 | 160 90 | 29,44 | 15,57 23,53 | PHS 32B-1A19 PHS 32B-1BH19 |
| | 20 | 324,74 | A B | 30 | - | 30 | 133 | 180 90 | 29,44 | 17,36 25,37 | PHS 32B-1A20 PHS 32B-1BH20 |
| | 21 | 340,84 | A B | 30 | - | 30 | 133 | 180 90 | 29,44 | 19,15 27,20 | PHS 32B-1A21 PHS 32B-1BH21 |
| | 22 | 356,96 | A B | 30 | - | 30 | 133 | 180 90 | 29,44 | 21,13 29,23 | PHS 32B-1A22 PHS 32B-1BH22 |
| | 23 | 373,07 | A B | 30 | - | 30 | 133 | 180 90 | 29,44 | 23,10 31,25 | PHS 32B-1A23 PHS 32B-1BH23 |
| | 24 | 389,19 | A B | 30 | - | 30 | 133 | 180 90 | 29,44 | 25,26 35,33 | PHS 32B-1A24 PHS 32B-1BH24 |
| | 25 | 405,32 | A B | 30 | - | 30 | 133 | 180 90 | 29,44 | 27,41 36,80 | PHS 32B-1A25 PHS 32B-1BH25 |
| | 26 | 421,45 | A B | 30 | - | 30 | 133 | 180 90 | 29,44 | 30,25 39,41 | PHS 32B-1A26 PHS 32B-1BH26 |
| | 27 | 437,58 | A B | 30 | - | 30 | 133 | 180 90 | 29,44 | 33,10 42,02 | PHS 32B-1A27 PHS 32B-1BH27 |
| | 28 | 453,72 | A B | 30 | - | 30 | 133 | 180 90 | 29,44 | 35,94 44,62 | PHS 32B-1A28 PHS 32B-1BH28 |
| | 30 | 485,99 | A B | 30 | - | 30 | 133 | 180 90 | 29,44 | 41,63 49,84 | PHS 32B-1A30 PHS 32B-1BH30 |
| | 32 | 518,28 | A B | 30 | - | 30 | 139 | 180 90 | 29,44 | 47,31 58,02 | PHS 32B-1A32 PHS 32B-1BH32 |
| | 38 | 615,17 | A B | 30 | - | 30 | 139 | 180 90 | 29,44 | 64,37 86,78 | PHS 32B-1A38 PHS 32B-1BH38 |
| | 40 | 647,47 | A C | 40 | - | 30 | 139 | 180 90 | 29,44 | 72,98 91,35 | PHS 32B-1A40 PHS 32B-1C40 |
| | 42 | 679,78 | A C | 40 | - | 30 | 139 | 180 90 | 29,44 | 81,60 95,91 | PHS 32B-1A42 PHS 32B-1C42 |
| | 45 | 728,25 | A C | 40 | - | 30 | 139 | 180 100 | 29,44 | 94,52 116,97 | PHS 32B-1A45 PHS 32B-1C45 |
| | 48 | 790,72 | A C | 40 | - | 30 | 139 | 180 100 | 29,44 | 107,44 130,43 | PHS 32B-1A48 PHS 32B-1C48 |
| | 54 | 873,68 | A C | 40 | - | 30 | 139 | 180 100 | 29,44 | 133,29 157,34 | PHS 32B-1A54 PHS 32B-1C54 |
| | 57 | 922,16 | A C | 40 | - | 30 | 139 | 180 100 | 29,44 | 146,21 190,79 | PHS 32B-1A57 PHS 32B-1C57 |
| | 60 | 990,65 | A C | 40 | - | 30 | 139 | 200 110 | 29,44 | 164,35 184,25 | PHS 32B-1A60 PHS 32B-1C60 |
| | 68 | 1 099,96 | A C | 40 | - | 30 | 139 | 200 110 | 29,44 | 212,73 220,13 | PHS 32B-1A68 PHS 32B-1C68 |
| | 72 | 1 164,62 | A C | 40 | - | 30 | 139 | 200 110 | 29,44 | 236,91 282,31 | PHS 32B-1A72 PHS 32B-1C72 |
| | 90 | 1 229,28 | A C | 40 | - | 30 | 139 | 200 110 | 29,44 | 261,10 297,99 | PHS 32B-1A90 PHS 32B-1C90 |

Maximum bores can accommodate standard keyways. Larger bores are available where a shallow keyway is used or no keyway is required. All Type B or C sprockets, up to and including 25 tooth, are with hardened teeth as standard. For any additional size sprockets with hardened teeth, add "H" before the number of teeth, e.g. PHS 08B-1AH8.

Metric sprockets, simplex, taper bushed

ISO 06B-1 · 9,525 mm pitch | ISO 08B-1 · 12,70 mm pitch



| Pitch | Number of teeth | Pitch diameter | Type | Bushing number | Dimensions | | | | Plate thickness | Mass Rim | Bushing | Designation |
|-------|-----------------|----------------|-------|----------------|------------|------|------|--------------------|--------------------|----------|---------|----------------|
| | | | | | Bore | | L | H | | | | |
| | | PD | | | Min. | Max. | | | t ₁ | | | |
| mm | - | mm | - | - | mm | | | | | kg | - | |
| 9,525 | 16 | 48,82 | B | 1008 | 9 | 25,4 | 22,0 | 42,0 ⁴⁾ | 5,31 | 0,12 | 0,09 | PHS 06B-1TBH16 |
| | 17 | 51,83 | B | 1008 | 9 | 25,4 | 22,0 | 45,0 | 5,31 | 0,13 | 0,09 | PHS 06B-1TBH17 |
| | 18 | 54,85 | B | 1008 | 9 | 25,4 | 22,0 | 45,0 | 5,31 | 0,14 | 0,09 | PHS 06B-1TBH18 |
| | 19 | 57,87 | B | 1008 | 9 | 25,4 | 22,0 | 45,0 | 5,31 | 0,16 | 0,09 | PHS 06B-1TBH19 |
| | 20 | 60,89 | B | 1008 | 9 | 25,4 | 22,0 | 46,0 | 5,31 | 0,18 | 0,09 | PHS 06B-1TBH20 |
| | 21 | 63,91 | B | 1008 | 9 | 25,4 | 22,0 | 46,0 | 5,31 | 0,20 | 0,09 | PHS 06B-1TBH21 |
| | 22 | 66,93 | B | 1108 | 9 | 28,0 | 22,0 | 52,0 | 5,31 | 0,24 | 0,12 | PHS 06B-1TBH22 |
| | 23 | 69,95 | B | 1210 | 11 | 31,8 | 25,0 | 63,0 ⁴⁾ | 5,31 | 0,30 | 0,21 | PHS 06B-1TBH23 |
| | 24 | 72,97 | B | 1210 | 11 | 31,8 | 25,0 | 63,0 | 5,31 | 0,32 | 0,21 | PHS 06B-1TBH24 |
| | 25 | 76,00 | B | 1210 | 11 | 31,8 | 25,0 | 63,0 | 5,31 | 0,35 | 0,21 | PHS 06B-1TBH25 |
| | 26 | 79,02 | B | 1210 | 11 | 31,8 | 25,0 | 63,0 | 5,31 | 0,35 | 0,21 | PHS 06B-1TB26 |
| | 27 | 82,05 | B | 1210 | 11 | 31,8 | 25,0 | 63,0 | 5,31 | 0,38 | 0,21 | PHS 06B-1TB27 |
| | 28 | 85,07 | B | 1210 | 11 | 31,8 | 25,0 | 63,0 | 5,31 | 0,38 | 0,21 | PHS 06B-1TB28 |
| | 29 | 88,09 | B | 1210 | 11 | 31,8 | 25,0 | 63,0 | 5,31 | 0,40 | 0,21 | PHS 06B-1TB29 |
| | 30 | 91,12 | B | 1210 | 11 | 31,8 | 25,0 | 63,0 | 5,31 | 0,41 | 0,21 | PHS 06B-1TB30 |
| | 32 | 97,18 | B | 1210 | 11 | 31,8 | 25,0 | 63,0 | 5,31 | 0,58 | 0,21 | PHS 06B-1TB32 |
| | 35 | 106,26 | B | 1210 | 11 | 31,8 | 25,0 | 63,0 | 5,31 | 0,76 | 0,21 | PHS 06B-1TB35 |
| | 36 | 109,29 | B | 1210 | 11 | 31,8 | 25,0 | 63,0 | 5,31 | 0,82 | 0,21 | PHS 06B-1TB36 |
| | 38 | 115,35 | B | 1210 | 11 | 31,8 | 25,0 | 70,0 | 5,31 | 0,94 | 0,21 | PHS 06B-1TB38 |
| | 40 | 121,40 | B | 1210 | 11 | 31,8 | 25,0 | 70,0 | 5,31 | 1,06 | 0,21 | PHS 06B-1TB40 |
| | 45 | 136,55 | B | 1210 | 11 | 31,8 | 25,0 | 70,0 | 5,31 | 1,36 | 0,21 | PHS 06B-1TB45 |
| | 48 | 145,65 | B | 1210 | 11 | 31,8 | 25,0 | 70,0 | 5,31 | 1,54 | 0,21 | PHS 06B-1TB48 |
| | 54 | 163,82 | B | 1210 | 11 | 31,8 | 25,0 | 70,0 | 5,31 | 1,90 | 0,21 | PHS 06B-1TB54 |
| | 57 | 172,90 | B | 1210 | 11 | 31,8 | 25,0 | 70,0 | 5,31 | 1,60 | 0,21 | PHS 06B-1TB57 |
| | 60 | 182,00 | B | 1210 | 11 | 31,8 | 25,0 | 70,0 | 5,31 | 2,26 | 0,21 | PHS 06B-1TB60 |
| | 70 | 212,30 | B | 1210 | 11 | 31,8 | 25,0 | 70,0 | 5,31 | 2,86 | 0,21 | PHS 06B-1TB70 |
| | 76 | 230,49 | B | 1210 | 11 | 31,8 | 25,0 | 70,0 | 5,31 | 2,43 | 0,21 | PHS 06B-1TB76 |
| | 95 | 288,08 | B | 1210 | 11 | 31,8 | 25,0 | 110,0 | 5,31 | 2,72 | 0,21 | PHS 06B-1TB95 |
| | 114 | 345,68 | B | 1215 | 11 | 31,8 | 25,0 | 110,0 | 5,31 | 5,50 | 0,31 | PHS 06B-1TB114 |
| | 12,70 | 14 | 57,07 | B | 1008 | 9 | 25,4 | 22,0 | 46,0 ⁴⁾ | 7,37 | 0,12 | 0,14 |
| 15 | | 61,09 | B | 1008 | 9 | 25,4 | 22,0 | 45,0 | 7,37 | 0,18 | 0,14 | PHS 08B-1TBH15 |
| 16 | | 65,10 | B | 1108 | 9 | 28,0 | 22,0 | 52,0 | 7,37 | 0,24 | 0,16 | PHS 08B-1TBH16 |
| 17 | | 69,11 | B | 1210 | 11 | 31,8 | 25,0 | 60,0 ⁴⁾ | 7,37 | 0,24 | 0,27 | PHS 08B-1TBH17 |
| 18 | | 73,14 | B | 1210 | 11 | 31,8 | 25,0 | 60,0 ⁴⁾ | 7,37 | 0,30 | 0,27 | PHS 08B-1TBH18 |
| 19 | | 77,16 | B | 1210 | 11 | 31,8 | 25,0 | 63,0 | 7,37 | 0,33 | 0,27 | PHS 08B-1TBH19 |
| 20 | | 81,19 | B | 1610 | 11 | 31,8 | 25,0 | 71,0 | 7,37 | 0,32 | 0,41 | PHS 08B-1TBH20 |
| 21 | | 85,22 | B | 1610 | 14 | 41,3 | 25,0 | 71,0 | 7,37 | 0,37 | 0,41 | PHS 08B-1TBH21 |
| 22 | | 89,24 | B | 1610 | 14 | 41,3 | 25,0 | 76,0 | 7,37 | 0,50 | 0,41 | PHS 08B-1TBH22 |
| 23 | | 93,27 | B | 1610 | 14 | 41,3 | 25,0 | 76,0 | 7,37 | 0,53 | 0,41 | PHS 08B-1TBH23 |
| 24 | | 97,29 | B | 1610 | 14 | 41,3 | 25,0 | 76,0 | 7,37 | 0,54 | 0,41 | PHS 08B-1TBH24 |
| 25 | | 101,33 | B | 1610 | 14 | 41,3 | 25,0 | 76,0 | 7,37 | 0,59 | 0,41 | PHS 08B-1TBH25 |
| 26 | | 105,36 | B | 1610 | 14 | 41,3 | 25,0 | 76,0 | 7,37 | 0,61 | 0,41 | PHS 08B-1TB26 |
| 27 | | 109,40 | B | 1610 | 14 | 41,3 | 25,0 | 76,0 | 7,37 | 0,94 | 0,41 | PHS 08B-1TB27 |
| 28 | | 113,42 | B | 2012 | 14 | 50,8 | 25,0 | 90,0 | 7,37 | 0,86 | 0,77 | PHS 08B-1TB28 |
| 29 | | 117,46 | B | 2012 | 14 | 50,8 | 25,0 | 90,0 | 7,37 | 0,90 | 0,77 | PHS 08B-1TB29 |
| 30 | | 121,50 | B | 2012 | 14 | 50,8 | 32,0 | 90,0 | 7,37 | 0,94 | 0,59 | PHS 08B-1TB30 |
| 32 | | 129,57 | B | 2012 | 14 | 50,8 | 32,0 | 90,0 | 7,37 | 1,12 | 0,59 | PHS 08B-1TB32 |
| 35 | | 141,68 | B | 2012 | 14 | 50,8 | 32,0 | 90,0 | 7,37 | 1,30 | 0,59 | PHS 08B-1TB35 |
| 36 | | 145,72 | B | 2012 | 14 | 50,8 | 32,0 | 90,0 | 7,37 | 1,48 | 0,59 | PHS 08B-1TB36 |
| 38 | | 153,80 | B | 2012 | 14 | 50,8 | 32,0 | 90,0 | 7,37 | 1,67 | 0,59 | PHS 08B-1TB38 |
| 40 | | 161,87 | B | 2012 | 14 | 50,8 | 32,0 | 90,0 | 7,37 | 1,80 | 0,59 | PHS 08B-1TB40 |
| 42 | | 169,94 | B | 2012 | 14 | 50,8 | 32,0 | 100,0 | 7,37 | 1,93 | 0,59 | PHS 08B-1TB42 |
| 45 | | 182,07 | B | 2012 | 14 | 50,8 | 32,0 | 100,0 | 7,37 | 2,06 | 0,59 | PHS 08B-1TB45 |
| 48 | | 194,18 | B | 2012 | 14 | 50,8 | 32,0 | 100,0 | 7,37 | 2,36 | 0,59 | PHS 08B-1TB48 |

⁴⁾ Undercut in hub for chain clearance

All Type B or C sprockets, up to and including 25 tooth, are with hardened teeth as standard. For any additional size sprockets with hardened teeth, add "H" before the number of teeth, e.g. PHS 08B-1TBH16.

Metric sprockets, simplex, taper bushed

ISO 08B-1 · 12,70 mm pitch | ISO 10B-1 · 15,88 mm pitch | ISO 12B-1 · 19,05 mm pitch

| Pitch | Number of teeth | Pitch diameter PD | Type | Bushing number | Dimensions | | | | Plate thickness t ₁ | Mass Rim kg | Bushing | Designation | |
|--------------|-----------------|----------------------|--------|----------------|------------|------|------|-------|-----------------------------------|----------------|---------|----------------|----------------|
| | | | | | Bore | | L | H | | | | | |
| | | | | | Min. | Max. | | | | | | | |
| mm | – | mm | – | – | mm | mm | mm | mm | mm | mm | – | | |
| 12,70 | 54 | 218,42 | B | 2012 | 14 | 50,8 | 32,0 | 100,0 | 7,37 | 2,66 | 0,59 | PHS 08B-1TB54 | |
| | 57 | 230,53 | B | 2012 | 14 | 50,8 | 32,0 | 100,0 | 7,37 | 3,07 | 0,59 | PHS 08B-1TB57 | |
| | 60 | 242,66 | B | 2012 | 14 | 50,8 | 32,0 | 100,0 | 7,37 | 3,23 | 0,59 | PHS 08B-1TB60 | |
| | 70 | 283,07 | B | 2012 | 14 | 50,8 | 32,0 | 100,0 | 7,37 | 3,39 | 0,59 | PHS 08B-1TB70 | |
| | 72 | 291,15 | B | 2012 | 14 | 50,8 | 32,0 | 100,0 | 7,37 | 3,55 | 0,59 | PHS 08B-1TB72 | |
| | 76 | 307,31 | B | 2012 | 14 | 50,8 | 32,0 | 100,0 | 7,37 | 3,71 | 0,59 | PHS 08B-1TB76 | |
| | 80 | 323,49 | B | 2012 | 14 | 50,8 | 32,0 | 100,0 | 7,37 | 4,55 | 0,59 | PHS 08B-1TB80 | |
| | 84 | 339,65 | B | 2012 | 14 | 50,8 | 32,0 | 100,0 | 7,37 | 5,39 | 0,59 | PHS 08B-1TB84 | |
| | 95 | 384,10 | B | 2012 | 14 | 50,8 | 32,0 | 100,0 | 7,37 | 6,23 | 0,59 | PHS 08B-1TB95 | |
| | 96 | 388,15 | B | 2012 | 14 | 50,8 | 32,0 | 100,0 | 7,37 | 7,00 | 0,59 | PHS 08B-1TB96 | |
| | 114 | 460,90 | B | 2517 | 16 | 63,5 | 45,0 | 110,0 | 7,37 | 8,10 | 1,30 | PHS 08B-1TB114 | |
| | 15,88 | 12 | 61,34 | B | 1008 | 9 | 25,4 | 22,0 | 49,2 ¹⁾ | 9,17 | 0,21 | 0,09 | PHS 10B-1TBH12 |
| | | 13 | 66,32 | B | 1008 | 9 | 25,4 | 22,0 | 47,0 | 9,17 | 0,25 | 0,09 | PHS 10B-1TBH13 |
| | | 14 | 71,34 | B | 1108 | 9 | 25,4 | 22,0 | 52,0 | 9,17 | 0,27 | 0,12 | PHS 10B-1TBH14 |
| | | 15 | 76,36 | B | 1210 | 11 | 31,8 | 25,0 | 60,0 | 9,17 | 0,33 | 0,21 | PHS 10B-1TBH15 |
| | | 16 | 81,37 | B | 1610 | 14 | 41,3 | 25,0 | 70,6 ⁴⁾ | 9,17 | 0,32 | 0,31 | PHS 10B-1TBH16 |
| | | 17 | 86,39 | B | 1610 | 14 | 41,3 | 25,0 | 71,0 ⁴⁾ | 9,17 | 0,40 | 0,31 | PHS 10B-1TBH17 |
| | | 18 | 91,42 | B | 1610 | 14 | 41,3 | 25,0 | 75,0 | 9,17 | 0,50 | 0,31 | PHS 10B-1TBH18 |
| | | 19 | 96,45 | B | 1610 | 14 | 41,3 | 25,0 | 75,0 | 9,17 | 0,56 | 0,31 | PHS 10B-1TBH19 |
| | | 20 | 101,49 | B | 1610 | 14 | 41,3 | 25,0 | 76,0 | 9,17 | 0,64 | 0,31 | PHS 10B-1TBH20 |
| | | 21 | 106,52 | B | 1610 | 14 | 41,3 | 25,0 | 76,0 | 9,17 | 0,69 | 0,31 | PHS 10B-1TBH21 |
| | | 22 | 111,55 | B | 1610 | 14 | 41,3 | 25,0 | 76,0 | 9,17 | 0,75 | 0,31 | PHS 10B-1TBH22 |
| | | 23 | 116,58 | B | 1610 | 14 | 41,3 | 25,0 | 76,0 | 9,17 | 0,81 | 0,31 | PHS 10B-1TBH23 |
| | | 24 | 121,62 | B | 2012 | 14 | 50,8 | 32,0 | 90,0 | 9,17 | 1,00 | 0,59 | PHS 10B-1TBH24 |
| | | 25 | 126,66 | B | 2012 | 14 | 50,8 | 32,0 | 90,0 | 9,17 | 1,06 | 0,59 | PHS 10B-1TBH25 |
| 26 | | 131,70 | B | 2012 | 14 | 50,8 | 32,0 | 90,0 | 9,17 | 1,14 | 0,59 | PHS 10B-1TB26 | |
| 27 | | 136,75 | B | 2012 | 14 | 50,8 | 32,0 | 90,0 | 9,17 | 1,19 | 0,59 | PHS 10B-1TB27 | |
| 28 | | 141,78 | B | 2012 | 14 | 50,8 | 32,0 | 90,0 | 9,17 | 1,28 | 0,59 | PHS 10B-1TB28 | |
| 29 | | 146,83 | B | 2012 | 14 | 50,8 | 32,0 | 90,0 | 9,17 | 1,37 | 0,59 | PHS 10B-1TB29 | |
| 30 | | 151,87 | B | 2012 | 14 | 50,8 | 32,0 | 90,0 | 9,17 | 1,65 | 0,59 | PHS 10B-1TB30 | |
| 32 | | 161,96 | B | 2012 | 14 | 50,8 | 32,0 | 98,0 | 9,17 | 2,21 | 0,59 | PHS 10B-1TB32 | |
| 35 | | 177,10 | B | 2012 | 14 | 50,8 | 32,0 | 98,0 | 9,17 | 3,05 | 0,59 | PHS 10B-1TB35 | |
| 36 | | 182,15 | B | 2012 | 14 | 50,8 | 32,0 | 98,0 | 9,17 | 3,33 | 0,59 | PHS 10B-1TB36 | |
| 38 | | 192,24 | B | 2012 | 14 | 50,8 | 32,0 | 100,0 | 9,17 | 3,89 | 0,59 | PHS 10B-1TB38 | |
| 40 | | 202,33 | B | 2012 | 14 | 50,8 | 32,0 | 100,0 | 9,17 | 4,45 | 0,59 | PHS 10B-1TB40 | |
| 42 | | 212,43 | B | 2012 | 14 | 50,8 | 32,0 | 100,0 | 9,17 | 5,01 | 0,59 | PHS 10B-1TB42 | |
| 45 | | 227,58 | B | 2012 | 14 | 50,8 | 32,0 | 100,0 | 9,17 | 3,97 | 0,59 | PHS 10B-1TB45 | |
| 48 | | 242,73 | B | 2012 | 14 | 50,8 | 32,0 | 100,0 | 9,17 | 6,69 | 0,59 | PHS 10B-1TB48 | |
| 54 | | 273,03 | B | 2012 | 14 | 50,8 | 32,0 | 100,0 | 9,17 | 8,37 | 0,59 | PHS 10B-1TB54 | |
| 57 | | 288,19 | B | 2012 | 14 | 50,8 | 32,0 | 100,0 | 9,17 | 5,45 | 0,59 | PHS 10B-1TB57 | |
| 60 | | 303,33 | B | 2012 | 14 | 50,8 | 32,0 | 100,0 | 9,17 | 10,05 | 0,59 | PHS 10B-1TB60 | |
| 70 | | 353,84 | B | 2012 | 16 | 63,5 | 45,0 | 100,0 | 9,17 | 12,85 | 1,30 | PHS 10B-1TB70 | |
| 72 | | 363,95 | B | 2012 | 16 | 63,5 | 45,0 | 100,0 | 9,17 | 13,41 | 1,30 | PHS 10B-1TB72 | |
| 76 | | 384,15 | B | 2012 | 14 | 50,8 | 45,0 | 100,0 | 9,17 | 7,43 | 0,59 | PHS 10B-1TB76 | |
| 80 | | 404,35 | B | 2012 | 16 | 63,5 | 45,0 | 110,0 | 9,17 | 15,65 | 1,30 | PHS 10B-1TB80 | |
| 84 | | 424,70 | B | 2012 | 16 | 63,5 | 45,0 | 110,0 | 9,17 | 16,77 | 1,30 | PHS 10B-1TB84 | |
| 95 | | 480,14 | B | 2517 | 14 | 50,8 | 45,0 | 110,0 | 9,17 | 19,85 | 0,59 | PHS 10B-1TB95 | |
| 96 | | 485,30 | B | 2517 | 16 | 63,5 | 45,0 | 110,0 | 9,17 | 20,13 | 1,30 | PHS 10B-1TB96 | |
| 114 | | 576,13 | B | 2517 | 16 | 63,5 | 45,0 | 110,0 | 9,17 | 25,17 | 1,30 | PHS 10B-1TB114 | |
| 19,05 | | 11 | 67,61 | B | 1008 | 9 | 25,4 | 22,0 | 46,0 | 11,10 | 0,22 | 0,09 | PHS 12B-1TBH11 |
| | | 12 | 73,61 | B | 1008 | 9 | 25,4 | 22,0 | 49,2 | 11,10 | 0,30 | 0,09 | PHS 12B-1TBH12 |
| | | 13 | 79,59 | B | 1210 | 11 | 31,8 | 25,0 | 60,0 | 11,10 | 0,38 | 0,21 | PHS 12B-1TBH13 |
| | | 14 | 85,61 | B | 1610 | 14 | 41,3 | 25,0 | 70,0 | 11,10 | 0,46 | 0,31 | PHS 12B-1TBH14 |
| | | 15 | 91,63 | B | 1610 | 14 | 41,3 | 25,0 | 70,0 | 11,10 | 0,48 | 0,31 | PHS 12B-1TBH15 |
| | | 16 | 97,65 | B | 1610 | 14 | 41,3 | 25,0 | 75,0 | 11,10 | 0,60 | 0,31 | PHS 12B-1TBH16 |
| | 17 | 103,67 | B | 1610 | 14 | 41,3 | 25,0 | 76,0 | 11,10 | 0,70 | 0,31 | PHS 12B-1TBH17 | |
| | 18 | 109,71 | B | 2012 | 14 | 50,8 | 32,0 | 90,0 | 11,10 | 0,86 | 0,59 | PHS 12B-1TBH18 | |
| | 19 | 115,75 | B | 2012 | 14 | 50,8 | 32,0 | 90,0 | 11,10 | 0,98 | 0,59 | PHS 12B-1TBH19 | |
| | 20 | 121,78 | B | 2012 | 14 | 50,8 | 32,0 | 95,0 | 11,10 | 1,25 | 0,59 | PHS 12B-1TBH20 | |
| | 21 | 127,82 | B | 2517 | 16 | 63,5 | 45,0 | 102,0 | 11,10 | 1,28 | 1,30 | PHS 12B-1TBH21 | |
| | 22 | 133,86 | B | 2517 | 16 | 63,5 | 45,0 | 102,0 | 11,10 | 1,37 | 1,30 | PHS 12B-1TBH22 | |
| | 23 | 139,90 | B | 2517 | 16 | 63,5 | 45,0 | 108,0 | 11,10 | 1,75 | 1,30 | PHS 12B-1TBH23 | |
| | 24 | 145,94 | B | 2517 | 16 | 63,5 | 45,0 | 108,0 | 11,10 | 1,85 | 1,30 | PHS 12B-1TBH24 | |
| | 25 | 152,00 | B | 2517 | 16 | 63,5 | 45,0 | 108,0 | 11,10 | 1,95 | 1,30 | PHS 12B-1TBH25 | |
| | 26 | 158,04 | B | 2517 | 16 | 63,5 | 45,0 | 108,0 | 11,10 | 2,09 | 1,30 | PHS 12B-1TB26 | |
| | 27 | 164,09 | B | 2517 | 16 | 63,5 | 45,0 | 108,0 | 11,10 | 2,22 | 1,30 | PHS 12B-1TB27 | |
| | 28 | 170,13 | B | 2517 | 16 | 63,5 | 45,0 | 108,0 | 11,10 | 2,36 | 1,30 | PHS 12B-1TB28 | |
| | 29 | 176,19 | B | 2517 | 16 | 63,5 | 45,0 | 108,0 | 11,10 | 2,75 | 1,30 | PHS 12B-1TB29 | |
| | 30 | 182,25 | B | 2517 | 16 | 63,5 | 45,0 | 108,0 | 11,10 | 2,89 | 1,30 | PHS 12B-1TB30 | |
| | 32 | 194,36 | B | 2517 | 16 | 63,5 | 45,0 | 108,0 | 11,10 | 3,59 | 1,30 | PHS 12B-1TB32 | |
| | 35 | 212,52 | B | 2517 | 16 | 63,5 | 45,0 | 108,0 | 11,10 | 4,41 | 1,30 | PHS 12B-1TB35 | |
| | 36 | 218,58 | B | 2517 | 16 | 63,5 | 45,0 | 108,0 | 11,10 | 4,68 | 1,30 | PHS 12B-1TB36 | |
| | 38 | 230,69 | B | 2517 | 16 | 63,5 | 45,0 | 108,0 | 11,10 | 4,60 | 1,30 | PHS 12B-1TB38 | |

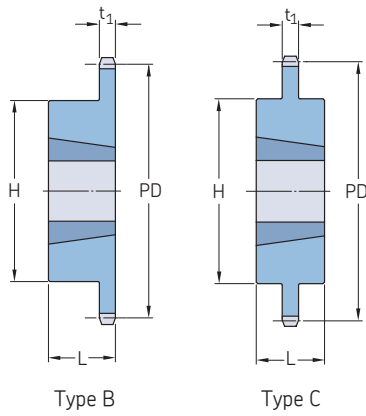
¹⁾ Undercut in hub for chain clearance

All Type B or C sprockets, up to and including 25 tooth, are with hardened teeth as standard.

For any additional size sprockets with hardened teeth, add "H" before the number of teeth, e.g. PHS 08B-1TBH16.

Metric sprockets, simplex, taper bushed

ISO 12B-1 · 19,05 mm pitch | ISO 16B-1 · 25,40 mm pitch



| Pitch | Number of teeth | Pitch diameter | Type | Bushing number | Dimensions | | | | Plate thickness | Mass Rim | Bushing | Designation |
|-------|-----------------|----------------|------|----------------|------------|------|-------|-------|-----------------|----------|----------------|----------------|
| | | | | | Bore | | L | H | | | | |
| | | PD | | | Min. | Max. | | | t ₁ | | | |
| mm | - | mm | - | - | mm | | | | | kg | - | - |
| 19,05 | 40 | 242,81 | B | 2517 | 16 | 63,5 | 45,0 | 108,0 | 11,10 | 5,78 | 1,30 | PHS 12B-1TB40 |
| | 42 | 254,93 | B | 2517 | 16 | 63,5 | 45,0 | 108,0 | 11,10 | 6,33 | 1,30 | PHS 12B-1TB42 |
| | 45 | 273,10 | B | 2517 | 16 | 63,5 | 45,0 | 108,0 | 11,10 | 5,70 | 1,30 | PHS 12B-1TB45 |
| | 48 | 291,27 | B | 2517 | 16 | 63,5 | 45,0 | 108,0 | 11,10 | 7,97 | 1,30 | PHS 12B-1TB48 |
| | 54 | 327,64 | B | 2517 | 16 | 63,5 | 45,0 | 108,0 | 11,10 | 9,61 | 1,30 | PHS 12B-1TB54 |
| | 57 | 345,81 | B | 2517 | 16 | 63,5 | 45,0 | 108,0 | 11,10 | 6,49 | 1,30 | PHS 12B-1TB57 |
| | 60 | 363,99 | B | 2517 | 16 | 63,5 | 45,0 | 108,0 | 11,10 | 11,25 | 1,30 | PHS 12B-1TB60 |
| | 68 | 412,49 | B | 2517 | 16 | 63,5 | 45,0 | 108,0 | 11,10 | 13,44 | 1,30 | PHS 12B-1TB68 |
| | 70 | 424,60 | B | 2517 | 16 | 63,5 | 45,0 | 108,0 | 11,10 | 13,99 | 1,30 | PHS 12B-1TB70 |
| | 72 | 436,74 | B | 2517 | 16 | 63,5 | 45,0 | 108,0 | 11,10 | 14,54 | 1,30 | PHS 12B-1TB72 |
| | 76 | 460,99 | B | 2517 | 16 | 63,5 | 45,0 | 108,0 | 11,10 | 11,20 | 1,30 | PHS 12B-1TB76 |
| | 84 | 509,48 | B | 2517 | 16 | 63,5 | 45,0 | 108,0 | 11,10 | 17,82 | 1,30 | PHS 12B-1TB84 |
| | 95 | 576,17 | B | 2517 | 16 | 63,5 | 45,0 | 108,0 | 11,10 | 17,64 | 1,30 | PHS 12B-1TB95 |
| | 96 | 582,23 | B | 2517 | 16 | 63,5 | 45,0 | 108,0 | 11,10 | 21,11 | 1,30 | PHS 12B-1TB96 |
| 114 | 691,36 | B | 2517 | 16 | 63,5 | 64,0 | 108,0 | 11,10 | 26,04 | 1,30 | PHS 12B-1TB114 | |
| 25,40 | 10 | 82,19 | B | 1215 | 11 | 31,8 | 38,0 | 62,7 | 16,18 | 0,34 | 0,30 | PHS 16B-1TBH10 |
| | 11 | 90,14 | B | 1215 | 11 | 31,8 | 38,0 | 62,7 | 16,18 | 0,57 | 0,30 | PHS 16B-1TBH11 |
| | 12 | 98,14 | B | 1615 | 14 | 41,3 | 38,0 | 76,2 | 16,18 | 0,81 | 0,43 | PHS 16B-1TBH12 |
| | 13 | 106,12 | B | 1615 | 14 | 41,3 | 38,0 | 73,0 | 16,18 | 1,03 | 0,43 | PHS 16B-1TBH13 |
| | 14 | 114,15 | B | 1615 | 14 | 41,3 | 38,0 | 78,0 | 16,18 | 1,26 | 0,43 | PHS 16B-1TBH14 |
| | 15 | 122,17 | B | 1615 | 14 | 41,3 | 38,0 | 76,0 | 16,18 | 1,40 | 0,43 | PHS 16B-1TBH15 |
| | 16 | 130,20 | B | 2012 | 14 | 50,8 | 32,0 | 90,0 | 16,18 | 1,42 | 0,59 | PHS 16B-1TBH16 |
| | 17 | 138,22 | B | 2012 | 14 | 50,8 | 32,0 | 90,0 | 16,18 | 1,60 | 0,59 | PHS 16B-1TBH17 |
| | 18 | 146,28 | B | 2517 | 16 | 63,5 | 45,0 | 108,0 | 16,18 | 2,09 | 1,30 | PHS 16B-1TBH18 |
| | 19 | 154,33 | B | 2517 | 16 | 63,5 | 45,0 | 108,0 | 16,18 | 2,30 | 1,30 | PHS 16B-1TBH19 |
| | 20 | 162,38 | B | 2517 | 16 | 63,5 | 45,0 | 110,0 | 16,18 | 2,56 | 1,30 | PHS 16B-1TBH20 |
| | 21 | 170,43 | B | 2517 | 16 | 63,5 | 45,0 | 110,0 | 16,18 | 2,80 | 1,30 | PHS 16B-1TBH21 |
| | 22 | 178,48 | B | 2517 | 16 | 63,5 | 45,0 | 110,0 | 16,18 | 3,36 | 1,30 | PHS 16B-1TBH22 |
| | 23 | 186,53 | B | 2517 | 16 | 63,5 | 45,0 | 110,0 | 16,18 | 3,34 | 1,30 | PHS 16B-1TBH23 |
| | 24 | 194,59 | B | 2517 | 16 | 63,5 | 45,0 | 110,0 | 16,18 | 3,66 | 1,30 | PHS 16B-1TBH24 |
| | 25 | 202,66 | B | 2517 | 16 | 63,5 | 45,0 | 110,0 | 16,18 | 3,96 | 1,30 | PHS 16B-1TBH25 |
| | 26 | 210,72 | B | 2517 | 16 | 63,5 | 45,0 | 110,0 | 16,18 | 4,26 | 1,30 | PHS 16B-1TB26 |
| | 27 | 218,79 | B | 2517 | 16 | 63,5 | 45,0 | 110,0 | 16,18 | 4,63 | 1,30 | PHS 16B-1TB27 |
| | 28 | 226,85 | B | 2517 | 16 | 63,5 | 45,0 | 140,0 | 16,18 | 4,97 | 1,30 | PHS 16B-1TB28 |
| | 29 | 234,92 | B | 3020 | 25 | 76,2 | 51,0 | 140,0 | 16,18 | 6,24 | 2,24 | PHS 16B-1TB29 |
| | 30 | 243,00 | B | 3020 | 25 | 76,2 | 51,0 | 140,0 | 16,18 | 6,67 | 2,24 | PHS 16B-1TB30 |
| | 32 | 259,13 | B | 3020 | 25 | 76,2 | 51,0 | 140,0 | 16,18 | 8,37 | 2,24 | PHS 16B-1TB32 |
| | 35 | 283,36 | B | 3020 | 25 | 76,2 | 51,0 | 140,0 | 16,18 | 10,92 | 2,24 | PHS 16B-1TB35 |
| | 36 | 291,44 | B | 3020 | 25 | 76,2 | 51,0 | 140,0 | 16,18 | 11,77 | 2,24 | PHS 16B-1TB36 |
| | 38 | 307,59 | B | 3020 | 25 | 76,2 | 51,0 | 140,0 | 16,18 | 9,49 | 2,24 | PHS 16B-1TB38 |
| | 40 | 323,75 | B | 3020 | 25 | 76,2 | 51,0 | 140,0 | 16,18 | 15,17 | 2,24 | PHS 16B-1TB40 |
| | 45 | 364,13 | B | 3020 | 25 | 76,2 | 51,0 | 140,0 | 16,18 | 11,70 | 2,24 | PHS 16B-1TB45 |
| | 48 | 388,36 | B | 3020 | 25 | 76,2 | 51,0 | 140,0 | 16,18 | 18,91 | 2,24 | PHS 16B-1TB48 |
| | 54 | 436,85 | B | 3020 | 25 | 76,2 | 51,0 | 140,0 | 16,18 | 21,72 | 2,24 | PHS 16B-1TB54 |
| | 57 | 461,07 | B | 3020 | 25 | 76,2 | 51,0 | 140,0 | 16,18 | 15,00 | 2,24 | PHS 16B-1TB57 |
| | 60 | 485,32 | B | 3020 | 25 | 76,2 | 51,0 | 140,0 | 16,18 | 24,52 | 2,24 | PHS 16B-1TB60 |
| | 64 | 517,65 | B | 3020 | 25 | 76,2 | 51,0 | 140,0 | 16,18 | 26,39 | 2,24 | PHS 16B-1TB64 |
| 70 | 566,14 | B | 3020 | 25 | 76,2 | 51,0 | 140,0 | 16,18 | 29,20 | 2,24 | PHS 16B-1TB70 | |
| 76 | 614,65 | B | 3020 | 25 | 76,2 | 51,0 | 140,0 | 16,18 | 23,00 | 2,24 | PHS 16B-1TB76 | |
| 80 | 646,96 | B | 3020 | 25 | 76,2 | 51,0 | 140,0 | 16,18 | 33,87 | 2,24 | PHS 16B-1TB80 | |
| 84 | 679,30 | B | 3020 | 25 | 76,2 | 51,0 | 140,0 | 16,18 | 35,74 | 2,24 | PHS 16B-1TB84 | |
| 95 | 768,22 | B | 3020 | 25 | 76,2 | 51,0 | 140,0 | 16,18 | 40,88 | 2,24 | PHS 16B-1TB95 | |
| 114 | 921,81 | B | 3020 | 25 | 76,2 | 76,0 | 140,0 | 16,18 | 49,77 | 2,24 | PHS 16B-1TB114 | |

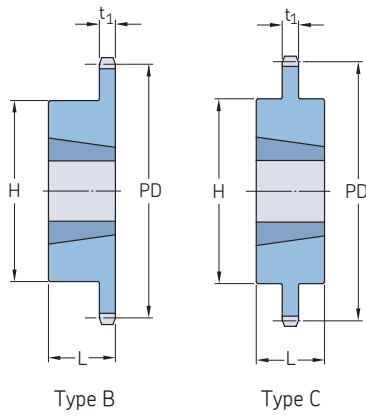
¹⁾ Undercut in hub for chain clearance

All Type B or C sprockets, up to and including 25 tooth, are with hardened teeth as standard.

For any additional size sprockets with hardened teeth, add "H" before the number of teeth, e.g. PHS 08B-1TBH16.

Metric sprockets, simplex, taper bushed

ISO 28B-1 · 44,45 mm pitch | ISO 32B-1 · 50,80 mm pitch



| Pitch | Number of teeth | Pitch diameter | Type | Bushing number | Dimensions | | | | Plate thickness | Mass Rim | Bushing | Designation |
|-------|-----------------|----------------|------|----------------|------------|-------|-------|-------|-----------------|----------|---------------|----------------|
| | | | | | Bore | | L | H | | | | |
| mm | - | mm | - | - | Min. | Max. | | | t ₁ | kg | - | |
| 44,45 | 13 | 185,75 | B | 3020 | 25 | 76,2 | 50,8 | 133,4 | 29,44 | 5,90 | 2,24 | PHS 28B-1TBH13 |
| | 14 | 199,76 | B | 3020 | 25 | 76,2 | 50,8 | 133,4 | 29,44 | 7,04 | 2,24 | PHS 28B-1TBH14 |
| | 15 | 213,79 | B | 3020 | 25 | 76,2 | 50,8 | 133,4 | 29,44 | 8,17 | 2,24 | PHS 28B-1TBH15 |
| | 16 | 227,84 | B | 3020 | 25 | 76,2 | 50,8 | 133,4 | 29,44 | 9,76 | 2,24 | PHS 28B-1TBH16 |
| | 17 | 241,91 | B | 3020 | 25 | 76,2 | 50,8 | 133,4 | 29,44 | 11,35 | 2,24 | PHS 28B-1TBH17 |
| | 18 | 255,98 | B | 3020 | 25 | 76,2 | 50,8 | 133,4 | 29,44 | 12,49 | 2,24 | PHS 28B-1TBH18 |
| | 19 | 270,06 | B | 3020 | 25 | 76,2 | 50,8 | 133,4 | 29,44 | 13,62 | 2,24 | PHS 28B-1TBH19 |
| | 20 | 284,15 | B | 3020 | 25 | 76,2 | 50,8 | 133,4 | 29,44 | 14,30 | 2,24 | PHS 28B-1TBH20 |
| | 21 | 298,24 | B | 3020 | 25 | 76,2 | 50,8 | 133,4 | 29,44 | 14,98 | 2,24 | PHS 28B-1TBH21 |
| | 22 | 312,34 | B | 3020 | 25 | 76,2 | 50,8 | 133,4 | 29,44 | 16,91 | 2,24 | PHS 28B-1TBH22 |
| | 23 | 326,44 | B | 3020 | 25 | 76,2 | 50,8 | 133,4 | 29,44 | 18,84 | 2,24 | PHS 28B-1TBH23 |
| | 24 | 340,55 | B | 3020 | 25 | 76,2 | 50,8 | 133,4 | 29,44 | 20,77 | 2,24 | PHS 28B-1TBH24 |
| | 25 | 354,66 | B | 3020 | 25 | 76,2 | 50,8 | 133,4 | 29,44 | 22,70 | 2,24 | PHS 28B-1TBH25 |
| | 26 | 368,77 | B | 3020 | 25 | 76,2 | 50,8 | 133,4 | 29,44 | 24,63 | 2,24 | PHS 28B-1TB26 |
| | 27 | 382,88 | B | 3020 | 25 | 76,2 | 50,8 | 133,4 | 29,44 | 26,56 | 2,24 | PHS 28B-1TB27 |
| | 28 | 397,00 | B | 3020 | 25 | 76,2 | 50,8 | 133,4 | 29,44 | 28,49 | 2,24 | PHS 28B-1TB28 |
| | 30 | 425,24 | B | 3020 | 25 | 76,2 | 50,8 | 133,4 | 29,44 | 32,35 | 2,24 | PHS 28B-1TB30 |
| | 32 | 453,49 | B | 3020 | 25 | 76,2 | 50,8 | 133,4 | 29,44 | 36,21 | 2,24 | PHS 28B-1TB32 |
| | 38 | 538,27 | B | 3535 | 35 | 88,9 | 88,9 | 165,1 | 29,44 | 45,40 | 3,56 | PHS 28B-1TB38 |
| | 40 | 566,54 | C | 3535 | 35 | 88,9 | 88,9 | 165,1 | 29,44 | 47,79 | 3,56 | PHS 28B-1TB40 |
| | 42 | 594,82 | C | 3535 | 35 | 88,9 | 88,9 | 165,1 | 29,44 | 50,18 | 3,56 | PHS 28B-1TB42 |
| | 45 | 637,22 | C | 4040 | 40 | 101,6 | 101,6 | 219,1 | 29,44 | 57,35 | 8,27 | PHS 28B-1TB45 |
| | 48 | 679,63 | C | 4040 | 40 | 101,6 | 101,6 | 219,1 | 29,44 | 61,17 | 8,27 | PHS 28B-1TB48 |
| | 54 | 764,46 | C | 4040 | 40 | 101,6 | 101,6 | 219,1 | 29,44 | 68,82 | 8,27 | PHS 28B-1TB54 |
| | 57 | 806,90 | C | 4040 | 40 | 101,6 | 101,6 | 219,1 | 29,44 | 72,64 | 8,27 | PHS 28B-1TB57 |
| | 60 | 849,32 | C | 4040 | 40 | 101,6 | 101,6 | 219,1 | 29,44 | 76,44 | 8,27 | PHS 28B-1TB60 |
| | 68 | 962,46 | C | 4040 | 40 | 101,6 | 101,6 | 219,1 | 29,44 | 86,63 | 8,27 | PHS 28B-1TB68 |
| 72 | 1 019,05 | C | 4040 | 40 | 101,6 | 101,6 | 219,1 | 29,44 | 91,73 | 8,27 | PHS 28B-1TB72 | |
| 76 | 1 075,62 | C | 4040 | 40 | 101,6 | 101,6 | 219,1 | 29,44 | 96,83 | 8,27 | PHS 28B-1TB76 | |
| 95 | 1 344,37 | C | 4040 | 40 | 101,6 | 101,6 | 219,1 | 29,44 | 121,03 | 8,27 | PHS 28B-1TB95 | |
| 50,80 | 11 | 180,34 | B | 2517 | 16 | 63,5 | 44,5 | 107,9 | 29,44 | 4,51 | 1,30 | PHS 32B-1TBH11 |
| | 12 | 196,29 | B | 3020 | 25 | 76,2 | 50,8 | 133,4 | 29,44 | 5,27 | 2,24 | PHS 32B-1TBH12 |
| | 13 | 212,29 | B | 3020 | 25 | 76,2 | 50,8 | 133,4 | 29,44 | 6,38 | 2,24 | PHS 32B-1TBH13 |
| | 14 | 228,29 | B | 3020 | 25 | 76,2 | 50,8 | 133,4 | 29,44 | 6,87 | 2,24 | PHS 32B-1TBH14 |
| | 15 | 244,30 | B | 3535 | 35 | 88,9 | 88,9 | 165,1 | 29,44 | 11,80 | 5,18 | PHS 32B-1TBH15 |
| | 16 | 260,40 | B | 3535 | 35 | 88,9 | 88,9 | 165,1 | 29,44 | 13,38 | 5,18 | PHS 32B-1TBH16 |
| | 17 | 276,40 | B | 3535 | 35 | 88,9 | 88,9 | 165,1 | 29,44 | 14,98 | 5,18 | PHS 32B-1TBH17 |
| | 18 | 292,55 | B | 3535 | 35 | 88,9 | 88,9 | 165,1 | 29,44 | 16,12 | 5,18 | PHS 32B-1TBH18 |
| | 19 | 308,66 | B | 3535 | 35 | 88,9 | 88,9 | 165,1 | 29,44 | 17,25 | 5,18 | PHS 32B-1TBH19 |
| | 20 | 324,71 | B | 3535 | 35 | 88,9 | 88,9 | 165,1 | 29,44 | 21,10 | 5,18 | PHS 32B-1TBH20 |
| | 21 | 340,82 | B | 3535 | 35 | 88,9 | 88,9 | 165,1 | 29,44 | 24,94 | 5,18 | PHS 32B-1TBH21 |
| | 22 | 356,98 | B | 3535 | 35 | 88,9 | 88,9 | 165,1 | 29,44 | 27,79 | 5,18 | PHS 32B-1TBH22 |
| | 23 | 373,08 | B | 3535 | 35 | 88,9 | 88,9 | 165,1 | 29,44 | 30,64 | 5,18 | PHS 32B-1TBH23 |
| | 24 | 389,18 | B | 3535 | 35 | 88,9 | 88,9 | 165,1 | 29,44 | 33,48 | 5,18 | PHS 32B-1TBH24 |
| | 25 | 405,33 | B | 3535 | 35 | 88,9 | 88,9 | 165,1 | 29,44 | 36,32 | 5,18 | PHS 32B-1TBH25 |
| | 26 | 421,44 | B | 3535 | 35 | 88,9 | 88,9 | 165,1 | 29,44 | 39,16 | 5,18 | PHS 32B-1TB26 |
| | 27 | 437,59 | B | 3535 | 35 | 88,9 | 88,9 | 165,1 | 29,44 | 42,00 | 5,18 | PHS 32B-1TB27 |
| | 28 | 453,69 | B | 3535 | 35 | 88,9 | 88,9 | 165,1 | 29,44 | 44,84 | 5,18 | PHS 32B-1TB28 |
| | 30 | 486,00 | B | 3535 | 35 | 88,9 | 88,9 | 165,1 | 29,44 | 50,52 | 5,18 | PHS 32B-1TB30 |
| | 32 | 518,26 | B | 3535 | 35 | 88,9 | 88,9 | 165,1 | 29,44 | 56,20 | 5,18 | PHS 32B-1TB32 |
| | 38 | 615,14 | B | 4040 | 40 | 101,6 | 101,6 | 219,1 | 29,44 | 68,10 | 8,27 | PHS 32B-1TB38 |
| | 40 | 647,49 | C | 4040 | 40 | 101,6 | 101,6 | 219,1 | 29,44 | 77,08 | 8,27 | PHS 32B-1TB40 |
| | 45 | 728,26 | C | 4040 | 40 | 101,6 | 101,6 | 219,1 | 29,44 | 99,53 | 8,27 | PHS 32B-1TB45 |
| | 48 | 776,72 | C | 4040 | 40 | 101,6 | 101,6 | 219,1 | 29,44 | 113,01 | 8,27 | PHS 32B-1TB48 |

¹⁾ Undercut in hub for chain clearance

All Type B or C sprockets, up to and including 25 tooth, are with hardened teeth as standard.

For any additional size sprockets with hardened teeth, add "H" before the number of teeth, e.g. PHS 08B-1TBH16.

Metric sprockets, simplex, taper bushed

ISO 32B-1 · 50,80 mm pitch

| Pitch | Number of teeth | Pitch diameter PD | Type | Bushing number | Dimensions | | | | Plate thickness t_1 | Mass Rim | Bushing | Designation |
|-------|-----------------|----------------------|------|----------------|------------|-------|-------|-------|--------------------------|----------|---------|---------------|
| | | | | | Bore | | L | H | | | | |
| mm | – | mm | – | – | mm | Min. | Max. | | | | – | |
| 50,80 | 54 | 873,68 | C | 4040 | 40 | 101,6 | 114,3 | 219,1 | 29,44 | 139,95 | 8,27 | PHS 32B-1TB54 |
| | 57 | 922,17 | C | 4545 | 55 | 114,3 | 114,3 | 247,7 | 29,44 | 136,20 | 9,99 | PHS 32B-1TB57 |
| | 60 | 970,63 | C | 4545 | 55 | 114,3 | 114,3 | 247,7 | 29,44 | 158,84 | 9,99 | PHS 32B-1TB60 |
| | 64 | 1 035,30 | C | 4545 | 55 | 114,3 | 114,3 | 247,7 | 29,44 | 189,03 | 9,99 | PHS 32B-1TB64 |
| | 70 | 1 132,29 | C | 4545 | 55 | 114,3 | 114,3 | 247,7 | 29,44 | 234,32 | 9,99 | PHS 32B-1TB70 |

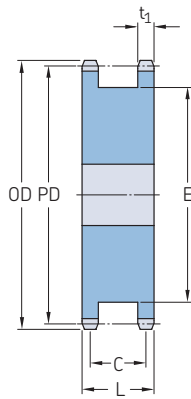
¹⁾ Undercut in hub for chain clearance

All Type B or C sprockets, up to and including 25 tooth, are with hardened teeth as standard.

For any additional size sprockets with hardened teeth, add "H" before the number of teeth, e.g. PHS 08B-1TBH16.

Metric sprockets, double simplex, pilot bore

ISO 06B-1 · 9,525 mm pitch | ISO 08B-1 · 12,70 mm pitch | ISO 10B-1 · 15,88 mm pitch | ISO 12B-1 · 19,05 mm pitch



Type A

| Pitch | Number of teeth | Diameters Outside | | Pitch | Type | Dimensions Bore | | | Plate thickness t_1 | Mass | Designation | |
|-------|-----------------|-------------------|--------|-------|-------|-----------------|------|------|-----------------------|-------|----------------|----------------|
| | | OD | PD | | | Min. | Max. | L | | | | C |
| mm | - | mm | | - | - | mm | | | kg | - | | |
| 9,525 | 14 | 46,30 | 42,80 | A | 10 | 20,00 | 25,5 | 20,3 | 31 | 5,31 | 0,17 | PHS 06B-1DSA14 |
| | 15 | 49,30 | 45,81 | A | 10 | 23,00 | 25,5 | 20,3 | 34 | 5,31 | 0,20 | PHS 06B-1DSA15 |
| | 16 | 52,30 | 48,82 | A | 10 | 25,00 | 25,5 | 20,3 | 37 | 5,31 | 0,23 | PHS 06B-1DSA16 |
| | 17 | 55,30 | 51,83 | A | 12 | 27,00 | 25,5 | 20,3 | 40 | 5,31 | 0,27 | PHS 06B-1DSA17 |
| | 18 | 58,30 | 54,85 | A | 12 | 29,00 | 25,5 | 20,3 | 43 | 5,31 | 0,30 | PHS 06B-1DSA18 |
| | 19 | 61,30 | 57,87 | A | 12 | 31,00 | 25,5 | 20,3 | 46 | 5,31 | 0,35 | PHS 06B-1DSA19 |
| | 20 | 64,30 | 60,89 | A | 12 | 33,00 | 25,5 | 20,3 | 48 | 5,31 | 0,39 | PHS 06B-1DSA20 |
| | 21 | 68,00 | 63,91 | A | 15 | 35,00 | 25,5 | 20,3 | 52 | 5,31 | 0,44 | PHS 06B-1DSA21 |
| | 22 | 71,00 | 66,93 | A | 15 | 36,00 | 25,5 | 20,3 | 55 | 5,31 | 0,50 | PHS 06B-1DSA22 |
| | 23 | 73,50 | 69,95 | A | 15 | 38,00 | 25,5 | 20,3 | 59 | 5,31 | 0,55 | PHS 06B-1DSA23 |
| 24 | 77,00 | 72,97 | A | 15 | 40,00 | 25,5 | 20,3 | 61 | 5,31 | 0,61 | PHS 06B-1DSA24 | |
| 25 | 80,00 | 76,02 | A | 15 | 43,00 | 25,5 | 20,3 | 65 | 5,31 | 0,67 | PHS 06B-1DSA25 | |
| 12,70 | 12 | 53,00 | 49,07 | A | 10 | 24,00 | 32,0 | 24,8 | 35 | 7,20 | 0,35 | PHS 08B-1DSA12 |
| | 13 | 57,40 | 53,06 | A | 10 | 26,00 | 32,0 | 24,8 | 37 | 7,20 | 0,41 | PHS 08B-1DSA13 |
| | 14 | 61,80 | 57,07 | A | 10 | 27,00 | 32,0 | 24,8 | 41 | 7,20 | 0,49 | PHS 08B-1DSA14 |
| | 15 | 65,50 | 61,09 | A | 10 | 30,00 | 32,0 | 24,8 | 45 | 7,20 | 0,55 | PHS 08B-1DSA15 |
| | 16 | 69,50 | 65,10 | A | 12 | 34,00 | 32,0 | 24,8 | 50 | 7,20 | 0,64 | PHS 08B-1DSA16 |
| | 17 | 73,60 | 69,11 | A | 12 | 36,00 | 32,0 | 24,8 | 53 | 7,20 | 0,73 | PHS 08B-1DSA17 |
| | 18 | 77,80 | 73,14 | A | 12 | 38,00 | 32,0 | 24,8 | 58 | 7,20 | 0,82 | PHS 08B-1DSA18 |
| | 19 | 81,70 | 77,16 | A | 12 | 41,00 | 32,0 | 24,8 | 62 | 7,20 | 1,00 | PHS 08B-1DSA19 |
| | 20 | 85,80 | 81,18 | A | 12 | 44,00 | 32,0 | 24,8 | 66 | 7,20 | 1,18 | PHS 08B-1DSA20 |
| | 21 | 89,70 | 85,22 | A | 15 | 46,00 | 32,0 | 24,8 | 70 | 7,20 | 1,32 | PHS 08B-1DSA21 |
| 22 | 93,80 | 89,24 | A | 15 | 48,00 | 32,0 | 24,8 | 74 | 7,20 | 1,36 | PHS 08B-1DSA22 | |
| 23 | 98,20 | 93,27 | A | 15 | 52,00 | 32,0 | 24,8 | 78 | 7,20 | 1,59 | PHS 08B-1DSA23 | |
| 24 | 101,80 | 97,29 | A | 15 | 54,00 | 32,0 | 24,8 | 82 | 7,20 | 1,70 | PHS 08B-1DSA24 | |
| 25 | 105,80 | 101,33 | A | 15 | 57,00 | 32,0 | 24,8 | 86 | 7,20 | 1,82 | PHS 08B-1DSA25 | |
| 15,88 | 12 | 68,00 | 61,34 | A | 15 | 30,00 | 42,0 | 27,9 | 45 | 9,10 | 0,59 | PHS 10B-1DSA12 |
| | 13 | 73,00 | 66,32 | A | 15 | 34,00 | 42,0 | 27,9 | 48 | 9,10 | 0,70 | PHS 10B-1DSA13 |
| | 14 | 78,00 | 71,34 | A | 15 | 36,00 | 42,0 | 27,9 | 55 | 9,10 | 0,83 | PHS 10B-1DSA14 |
| | 15 | 83,00 | 76,36 | A | 15 | 40,00 | 42,0 | 27,9 | 58 | 9,10 | 0,95 | PHS 10B-1DSA15 |
| | 16 | 88,00 | 81,37 | A | 15 | 42,00 | 42,0 | 27,9 | 64 | 9,10 | 1,09 | PHS 10B-1DSA16 |
| | 17 | 93,00 | 86,39 | A | 15 | 44,00 | 42,0 | 27,9 | 68 | 9,10 | 1,32 | PHS 10B-1DSA17 |
| | 18 | 98,00 | 91,42 | A | 15 | 47,00 | 42,0 | 27,9 | 73 | 9,10 | 1,50 | PHS 10B-1DSA18 |
| | 19 | 103,30 | 96,45 | A | 19 | 52,00 | 42,0 | 27,9 | 79 | 9,10 | 1,68 | PHS 10B-1DSA19 |
| | 20 | 108,40 | 101,49 | A | 19 | 57,00 | 42,0 | 27,9 | 83 | 9,10 | 1,91 | PHS 10B-1DSA20 |
| | 21 | 113,40 | 106,52 | A | 19 | 57,00 | 42,0 | 27,9 | 89 | 9,10 | 2,18 | PHS 10B-1DSA21 |
| 22 | 118,00 | 111,55 | A | 19 | 61,00 | 42,0 | 27,9 | 93 | 9,10 | 2,41 | PHS 10B-1DSA22 | |
| 23 | 123,40 | 116,58 | A | 19 | 65,00 | 42,0 | 27,9 | 99 | 9,10 | 2,64 | PHS 10B-1DSA23 | |
| 24 | 128,30 | 121,62 | A | 19 | 69,00 | 42,0 | 27,9 | 103 | 9,10 | 2,86 | PHS 10B-1DSA24 | |
| 25 | 134,00 | 126,66 | A | 19 | 72,00 | 42,0 | 27,9 | 109 | 9,10 | 3,16 | PHS 10B-1DSA25 | |
| 19,05 | 12 | 81,50 | 73,61 | A | 20 | 35,00 | 45,0 | 33,9 | 53 | 11,10 | 1,08 | PHS 12B-1DSA12 |
| | 13 | 87,50 | 79,59 | A | 20 | 38,00 | 45,0 | 33,9 | 59 | 11,10 | 1,29 | PHS 12B-1DSA13 |
| | 14 | 93,60 | 85,62 | A | 20 | 42,00 | 45,0 | 33,9 | 65 | 11,10 | 1,52 | PHS 12B-1DSA14 |
| | 15 | 99,80 | 91,61 | A | 20 | 38,00 | 45,0 | 33,9 | 71 | 11,10 | 1,73 | PHS 12B-1DSA15 |
| | 16 | 105,50 | 97,63 | A | 20 | 46,00 | 45,0 | 33,9 | 77 | 11,10 | 2,09 | PHS 12B-1DSA16 |
| | 17 | 111,50 | 103,67 | A | 20 | 55,00 | 45,0 | 33,9 | 71 | 11,10 | 2,41 | PHS 12B-1DSA17 |
| | 18 | 118,00 | 109,71 | A | 20 | 58,00 | 45,0 | 33,9 | 88 | 11,10 | 2,95 | PHS 12B-1DSA18 |
| | 19 | 124,20 | 115,75 | A | 20 | 62,00 | 45,0 | 33,9 | 71 | 11,10 | 3,09 | PHS 12B-1DSA19 |
| | 20 | 129,70 | 121,78 | A | 24 | 65,00 | 45,0 | 33,9 | 100 | 11,10 | 3,30 | PHS 12B-1DSA20 |
| | 21 | 136,00 | 127,82 | A | 24 | 70,00 | 45,0 | 33,9 | 71 | 11,10 | 3,62 | PHS 12B-1DSA21 |
| 22 | 141,80 | 133,86 | A | 24 | 73,00 | 45,0 | 33,9 | 112 | 11,10 | 4,00 | PHS 12B-1DSA22 | |
| 23 | 149,00 | 139,90 | A | 24 | 77,00 | 45,0 | 33,9 | 71 | 11,10 | 4,60 | PHS 12B-1DSA23 | |
| 24 | 153,90 | 145,94 | A | 24 | 81,00 | 45,0 | 33,9 | 124 | 11,10 | 4,95 | PHS 12B-1DSA24 | |

All Type B or C sprockets, up to and including 25 tooth, are with hardened teeth as standard. For any additional size sprockets with hardened teeth, add "H" before the number of teeth, e.g. PHS 06B-1DSA14H.

Metric sprockets, double simplex, pilot bore

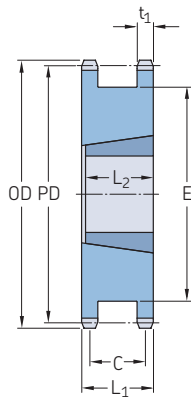
ISO 12B-1 · 19,05 mm pitch | ISO 16B-1 · 25,40 mm pitch | ISO 20B-1 · 31,75 mm pitch

| Pitch | Number of teeth | Diameters | | Pitch | Type | Dimensions Bore | | | Plate thickness t_1 | Mass | Designation | |
|-------|-----------------|-----------|--------|-------|--------|-----------------|------|------|-----------------------|-------|----------------|----------------|
| | | Outside | OD | | | PD | Min. | Max. | | | | L |
| mm | – | mm | – | mm | – | mm | – | – | – | kg | – | |
| 19,05 | 25 | 160,30 | 151,94 | A | 24 | 85,00 | 45,0 | 33,9 | 71 | 11,10 | 5,30 | PHS 12B-1DSA25 |
| 25,40 | 12 | 109,00 | 98,14 | A | 24 | 46,00 | 64,0 | 47,8 | 72 | 16,20 | 2,48 | PHS 16B-1DSA12 |
| | 13 | 117,00 | 106,12 | A | 24 | 50,00 | 64,0 | 47,8 | 78 | 16,20 | 3,09 | PHS 16B-1DSA13 |
| | 14 | 125,00 | 114,15 | A | 24 | 57,00 | 64,0 | 47,8 | 84 | 16,20 | 3,70 | PHS 16B-1DSA14 |
| | 15 | 133,00 | 122,17 | A | 24 | 60,00 | 64,0 | 47,8 | 95 | 16,20 | 4,35 | PHS 16B-1DSA15 |
| | 16 | 141,00 | 130,20 | A | 24 | 68,00 | 64,0 | 47,8 | 101 | 16,20 | 5,00 | PHS 16B-1DSA16 |
| | 17 | 149,00 | 138,22 | A | 24 | 71,00 | 64,0 | 47,8 | 111 | 16,20 | 5,75 | PHS 16B-1DSA17 |
| | 18 | 157,00 | 146,28 | A | 24 | 79,00 | 64,0 | 47,8 | 117 | 16,20 | 6,50 | PHS 16B-1DSA18 |
| | 19 | 165,20 | 154,33 | A | 24 | 82,00 | 64,0 | 47,8 | 127 | 16,20 | 7,40 | PHS 16B-1DSA19 |
| | 20 | 173,20 | 162,38 | A | 24 | 88,00 | 64,0 | 47,8 | 134 | 16,20 | 8,30 | PHS 16B-1DSA20 |
| | 21 | 181,20 | 170,43 | A | 24 | 95,00 | 64,0 | 47,8 | 143 | 16,20 | 9,20 | PHS 16B-1DSA21 |
| | 22 | 189,30 | 178,48 | A | 24 | 100,00 | 64,0 | 47,8 | 151 | 16,20 | 10,15 | PHS 16B-1DSA22 |
| | 23 | 197,50 | 186,59 | A | 24 | 107,00 | 64,0 | 47,8 | 160 | 16,20 | 11,20 | PHS 16B-1DSA23 |
| | 24 | 205,50 | 194,59 | A | 24 | 111,00 | 64,0 | 47,8 | 168 | 16,20 | 12,80 | PHS 16B-1DSA24 |
| 25 | 213,50 | 178,49 | A | 24 | 115,00 | 64,0 | 47,8 | 176 | 16,20 | 14,40 | PHS 16B-1DSA25 | |
| 31,75 | 13 | 147,83 | 132,66 | A | 25 | 63,50 | 68,3 | 49,8 | 96 | 18,50 | 5,09 | PHS 20B-1DSA13 |
| | 14 | 158,24 | 142,67 | A | 25 | 69,85 | 68,3 | 49,8 | 106 | 18,50 | 6,14 | PHS 20B-1DSA14 |
| | 15 | 168,40 | 152,70 | A | 32 | 77,79 | 68,3 | 49,8 | 116 | 18,50 | 7,64 | PHS 20B-1DSA15 |
| | 16 | 178,56 | 162,74 | A | 32 | 82,55 | 68,3 | 49,8 | 114 | 18,50 | 8,77 | PHS 20B-1DSA16 |
| | 17 | 188,98 | 172,80 | A | 32 | 92,08 | 68,3 | 49,8 | 124 | 18,50 | 9,77 | PHS 20B-1DSA17 |
| | 18 | 199,14 | 182,83 | A | 32 | 95,25 | 68,3 | 49,8 | 134 | 18,50 | 10,45 | PHS 20B-1DSA18 |
| | 19 | 209,30 | 192,91 | A | 32 | 106,36 | 68,3 | 49,8 | 157 | 18,50 | 11,36 | PHS 20B-1DSA19 |
| | 20 | 219,46 | 202,97 | A | 32 | 106,36 | 68,3 | 49,8 | 167 | 18,50 | 12,05 | PHS 20B-1DSA20 |
| | 21 | 229,62 | 213,03 | A | 32 | 133,35 | 68,3 | 49,8 | 177 | 18,50 | 13,18 | PHS 20B-1DSA21 |

All Type B or C sprockets, up to and including 25 tooth, are with hardened teeth as standard.
For any additional size sprockets with hardened teeth, add "H" before the number of teeth, e.g. PHS 06B-1DSA14.

Metric sprockets, double simplex, taper bushed

ISO 06B-1 · 9,525 mm pitch | ISO 08B-1 · 12,70 mm pitch | ISO 10B-1 · 15,88 mm pitch | ISO 12B-1 · 19,05 mm pitch | ISO 16B-1 · 25,40 mm pitch



Type A

| Pitch | Number of teeth | Diameters | | Type | Bushing number | Dimensions Bore | | L ₁ | C | E | L ₂ | Plate thickness t ₁ | Mass ¹⁾ | Designation | |
|-------|-----------------|------------|----------|-------|----------------|-----------------|------|----------------|-------|-------|----------------|--------------------------------|--------------------|------------------|------------------|
| | | Outside OD | Pitch PD | | | Min. | Max. | | | | | | | | |
| mm | - | mm | mm | - | - | mm | mm | mm | mm | mm | mm | mm | kg | - | |
| 9,525 | 18 | 58,30 | 54,85 | A | 1008 | 9 | 25 | 23,5 | 18,17 | 43 | 22,2 | 5,31 | 0,19 | PHS 06B-1DSTBH18 | |
| | 19 | 61,30 | 57,87 | A | 1008 | 9 | 25 | 23,5 | 18,17 | 46 | 22,2 | 5,31 | 0,23 | PHS 06B-1DSTBH19 | |
| | 20 | 64,30 | 60,89 | A | 1108 | 9 | 28 | 23,5 | 18,17 | 48 | 22,2 | 5,31 | 0,25 | PHS 06B-1DSTBH20 | |
| | 21 | 68,00 | 63,91 | A | 1108 | 9 | 28 | 23,5 | 18,17 | 52 | 22,2 | 5,31 | 0,31 | PHS 06B-1DSTBH21 | |
| | 22 | 71,00 | 66,93 | A | 1108 | 9 | 28 | 23,5 | 18,17 | 55 | 22,2 | 5,31 | 0,36 | PHS 06B-1DSTBH22 | |
| | 23 | 73,50 | 69,95 | A | 1108 | 9 | 28 | 23,5 | 18,17 | 58 | 22,2 | 5,31 | 0,41 | PHS 06B-1DSTBH23 | |
| | 24 | 77,00 | 72,97 | A | 1108 | 9 | 28 | 23,5 | 18,17 | 61 | 22,2 | 5,31 | 0,47 | PHS 06B-1DSTBH24 | |
| | 25 | 80,00 | 76,02 | A | 1108 | 9 | 28 | 23,5 | 18,17 | 64 | 22,2 | 5,31 | 0,53 | PHS 06B-1DSTBH25 | |
| | 12,70 | 14 | 61,80 | 57,07 | A | 1008 | 9 | 25 | 35,7 | 28,58 | 41 | 22,2 | 7,20 | 0,32 | PHS 08B-1DSTBH14 |
| | | 15 | 65,30 | 61,09 | A | 1008 | 9 | 25 | 35,7 | 28,58 | 45 | 22,2 | 7,20 | 0,40 | PHS 08B-1DSTBH15 |
| 16 | | 69,50 | 65,10 | A | 1108 | 9 | 28 | 35,7 | 28,58 | 49 | 22,2 | 7,20 | 0,44 | PHS 08B-1DSTBH16 | |
| 17 | | 73,60 | 69,11 | A | 1215 | 11 | 32 | 35,7 | 28,58 | 53 | 38,1 | 7,20 | 0,43 | PHS 08B-1DSTBH17 | |
| 18 | | 77,80 | 73,14 | A | 1215 | 11 | 32 | 35,7 | 28,58 | 58 | 38,1 | 7,20 | 0,46 | PHS 08B-1DSTBH18 | |
| 19 | | 81,70 | 77,15 | A | 1215 | 11 | 32 | 35,7 | 28,58 | 63 | 38,1 | 7,20 | 0,50 | PHS 08B-1DSTBH19 | |
| 20 | | 85,80 | 81,18 | A | 1215 | 11 | 32 | 35,7 | 28,58 | 66 | 38,1 | 7,20 | 0,59 | PHS 08B-1DSTBH20 | |
| 21 | | 89,70 | 85,22 | A | 1615 | 14 | 42 | 35,7 | 28,58 | 70 | 38,1 | 7,20 | 0,59 | PHS 08B-1DSTBH21 | |
| 22 | | 93,80 | 89,24 | A | 1615 | 14 | 42 | 35,7 | 28,58 | 74 | 38,1 | 7,20 | 0,64 | PHS 08B-1DSTBH22 | |
| 23 | | 98,20 | 93,27 | A | 1615 | 14 | 42 | 35,7 | 28,58 | 78 | 38,1 | 7,20 | 0,68 | PHS 08B-1DSTBH23 | |
| 15,88 | 12 | 68,00 | 61,34 | A | 1108 | 9 | 28 | 42,0 | 33,34 | 15,88 | 9,0 | 9,10 | 28,00 | PHS 10B-1DSTBH12 | |
| | 13 | 73,00 | 66,32 | A | 1108 | 9 | 28 | 42,0 | 33,34 | 15,88 | 9,0 | 9,10 | 28,00 | PHS 10B-1DSTBH13 | |
| | 14 | 78,00 | 71,34 | A | 1108 | 9 | 28 | 42,0 | 33,34 | 15,88 | 9,0 | 9,10 | 28,00 | PHS 10B-1DSTBH14 | |
| | 15 | 83,00 | 76,36 | A | 1215 | 11 | 32 | 42,0 | 33,34 | 15,88 | 11,0 | 9,10 | 32,00 | PHS 10B-1DSTBH15 | |
| | 16 | 88,00 | 81,37 | A | 1215 | 11 | 32 | 42,0 | 33,34 | 15,88 | 11,0 | 9,10 | 32,00 | PHS 10B-1DSTBH16 | |
| | 17 | 93,00 | 86,39 | A | 1615 | 14 | 42 | 42,0 | 33,34 | 15,88 | 14,0 | 9,10 | 42,00 | PHS 10B-1DSTBH17 | |
| | 18 | 98,30 | 91,42 | A | 1615 | 14 | 42 | 42,0 | 33,34 | 15,88 | 14,0 | 9,10 | 42,00 | PHS 10B-1DSTBH18 | |
| | 19 | 103,30 | 96,42 | A | 1615 | 14 | 42 | 42,0 | 33,34 | 15,88 | 14,0 | 9,10 | 42,00 | PHS 10B-1DSTBH19 | |
| | 20 | 108,40 | 101,49 | A | 1615 | 14 | 42 | 42,0 | 33,34 | 15,88 | 14,0 | 9,10 | 42,00 | PHS 10B-1DSTBH20 | |
| | 21 | 113,40 | 106,52 | A | 2012 | 14 | 50 | 42,0 | 33,34 | 15,88 | 14,0 | 9,10 | 50,00 | PHS 10B-1DSTBH21 | |
| 19,05 | 12 | 118,00 | 111,55 | A | 2012 | 14 | 50 | 42,0 | 33,34 | 15,88 | 14,0 | 9,10 | 50,00 | PHS 10B-1DSTBH22 | |
| | 13 | 123,40 | 116,58 | A | 2012 | 14 | 50 | 42,0 | 33,34 | 15,88 | 14,0 | 9,10 | 50,00 | PHS 10B-1DSTBH23 | |
| | 14 | 128,30 | 121,62 | A | 2012 | 14 | 50 | 42,0 | 33,34 | 15,88 | 14,0 | 9,10 | 50,00 | PHS 10B-1DSTBH24 | |
| | 15 | 134,00 | 126,66 | A | 2012 | 14 | 50 | 42,0 | 33,34 | 15,88 | 14,0 | 9,10 | 50,00 | PHS 10B-1DSTBH25 | |
| | 12 | 81,50 | 73,61 | A | 1215 | 11 | 32 | 49,2 | 38,10 | 19,05 | 11,0 | 11,10 | 32,00 | PHS 12B-1DSTBH12 | |
| | 13 | 87,50 | 79,59 | A | 1215 | 11 | 32 | 49,2 | 38,10 | 19,05 | 11,0 | 11,10 | 32,00 | PHS 12B-1DSTBH13 | |
| | 14 | 93,60 | 85,62 | A | 1215 | 11 | 32 | 49,2 | 38,10 | 19,05 | 11,0 | 11,10 | 32,00 | PHS 12B-1DSTBH14 | |
| | 15 | 99,80 | 91,61 | A | 1615 | 14 | 42 | 49,2 | 38,10 | 19,05 | 14,0 | 11,10 | 42,00 | PHS 12B-1DSTBH15 | |
| | 16 | 105,50 | 97,63 | A | 1615 | 14 | 42 | 49,2 | 38,10 | 19,05 | 14,0 | 11,10 | 42,00 | PHS 12B-1DSTBH16 | |
| | 17 | 111,50 | 103,67 | A | 1615 | 14 | 42 | 49,2 | 38,10 | 19,05 | 14,0 | 11,10 | 42,00 | PHS 12B-1DSTBH17 | |
| 25,40 | 12 | 109,00 | 98,14 | A | 1615 | 14 | 42 | 63,5 | 46,50 | 72 | 38,1 | 16,20 | 1,92 | PHS 16B-1DSTBH12 | |
| | 13 | 117,00 | 106,12 | A | 1615 | 14 | 42 | 63,5 | 46,50 | 80 | 38,1 | 16,20 | 2,53 | PHS 16B-1DSTBH13 | |
| | 14 | 125,00 | 114,15 | A | 2012 | 14 | 50 | 63,5 | 46,50 | 88 | 31,8 | 16,20 | 2,53 | PHS 16B-1DSTBH14 | |
| | 15 | 133,00 | 122,17 | A | 2012 | 14 | 50 | 63,5 | 46,50 | 96 | 31,8 | 16,20 | 3,10 | PHS 16B-1DSTBH15 | |
| | 16 | 141,00 | 130,20 | A | 2012 | 14 | 50 | 63,5 | 46,50 | 104 | 31,8 | 16,20 | 3,68 | PHS 16B-1DSTBH16 | |

¹⁾ Mass for rim only

All Type B or C sprockets, up to and including 25 tooth, are with hardened teeth as standard.
For any additional size sprockets with hardened teeth, add "H" before the number of teeth, e.g. PHS 06B-1DSTBH18.

Metric sprockets, double simplex, taper bushed

ISO 16B-1 · 25,40 mm pitch | ISO 20B-1 · 31,75 mm pitch

| Pitch | Number of teeth | Diameters | | Type | Bushing number | Dimensions Bore | | L ₁ | C | E | L ₂ | Plate thickness t ₁ | Mass ¹⁾ | Designation |
|-------|-----------------|------------|----------|--------|----------------|-----------------|------|----------------|-------|-------|----------------|--------------------------------|--------------------|------------------|
| | | Outside OD | Pitch PD | | | Min. | Max. | | | | | | | |
| mm | – | mm | – | – | – | mm | – | – | – | – | – | – | kg | – |
| 25,40 | 17 | 149,00 | 138,22 | A | 2517 | 16 | 65 | 63,5 | 46,50 | 112 | 44,5 | 16,20 | 3,89 | PHS 16B-1DSTBH17 |
| | 18 | 157,00 | 146,28 | A | 2517 | 16 | 65 | 63,5 | 46,50 | 120 | 44,5 | 16,20 | 4,65 | PHS 16B-1DSTBH18 |
| | 19 | 165,20 | 154,33 | A | 3020 | 25 | 75 | 63,5 | 46,50 | 128 | 50,8 | 16,20 | 4,50 | PHS 16B-1DSTBH19 |
| | 20 | 173,20 | 162,38 | A | 3020 | 25 | 75 | 63,5 | 46,50 | 135 | 50,8 | 16,20 | 5,10 | PHS 16B-1DSTBH20 |
| | 21 | 181,20 | 170,43 | A | 3020 | 25 | 75 | 63,5 | 46,50 | 142 | 50,8 | 16,20 | 6,00 | PHS 16B-1DSTBH21 |
| | 22 | 189,30 | 178,48 | A | 3020 | 25 | 75 | 63,5 | 46,50 | 151 | 50,8 | 16,20 | 6,20 | PHS 16B-1DSTBH22 |
| | 23 | 197,50 | 186,59 | A | 3525 | 35 | 90 | 63,5 | 46,50 | 160 | 63,5 | 16,20 | 7,15 | PHS 16B-1DSTBH23 |
| | 24 | 205,50 | 194,59 | A | 3525 | 35 | 90 | 63,5 | 46,50 | 167 | 63,5 | 16,20 | 8,10 | PHS 16B-1DSTBH24 |
| | 25 | 213,50 | 178,49 | A | 3525 | 35 | 90 | 63,5 | 46,50 | 175 | 63,5 | 16,20 | 9,00 | PHS 16B-1DSTBH25 |
| | 31,75 | 15 | 167,90 | 152,72 | A | 2517 | 16 | 60 | 68,3 | 49,80 | 115 | 44,5 | 18,50 | 4,20 |
| 16 | | 177,90 | 162,75 | A | 2517 | 16 | 60 | 68,3 | 49,80 | 127 | 44,5 | 18,50 | 5,91 | PHS 20B-1DSTBH16 |
| 17 | | 172,80 | 172,78 | A | 3020 | 25 | 75 | 68,3 | 49,80 | 137 | 50,8 | 18,50 | 6,36 | PHS 20B-1DSTBH17 |
| 18 | | 182,83 | 182,85 | A | 3020 | 25 | 75 | 68,3 | 49,80 | 147 | 50,8 | 18,50 | 7,27 | PHS 20B-1DSTBH18 |
| 19 | | 192,91 | 192,91 | A | 3020 | 25 | 75 | 68,3 | 49,80 | 157 | 50,8 | 18,50 | 9,09 | PHS 20B-1DSTBH19 |
| 20 | | 218,10 | 202,98 | A | 3020 | 25 | 75 | 68,3 | 49,80 | 167 | 50,8 | 18,50 | 10,85 | PHS 20B-1DSTBH20 |
| 21 | | 228,28 | 213,03 | A | 3020 | 25 | 75 | 68,3 | 49,80 | 177 | 50,8 | 18,50 | 12,50 | PHS 20B-1DSTBH21 |

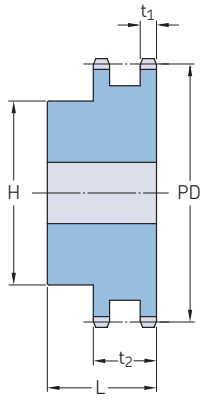
¹⁾ Mass for rim only

All Type B or C sprockets, up to and including 25 tooth, are with hardened teeth as standard.

For any additional size sprockets with hardened teeth, add "H" before the number of teeth, e.g. PHS 06B-1DSTBH18.

Metric sprockets, duplex, standard

ISO 06B-2 · 9,525 mm pitch | ISO 08B-2 · 12,70 mm pitch



Type B

| Pitch | Number of teeth | Pitch diameter PD | Type | Dimensions Bore | | Hub | | Plate thickness | | Mass | Designation |
|-------|-----------------|----------------------|------|--------------------|------|-----|------|-----------------|----------------|----------------|---------------|
| | | | | Min. | Max. | H | L | t ₁ | t ₂ | | |
| mm | - | mm | - | mm | | | | | | kg | - |
| 9,525 | 12 | 36,80 | B | 10 | 12 | 25 | 25 | 5,20 | 15,44 | 0,11 | PHS 06B-2BH12 |
| | 13 | 39,79 | B | 10 | 12 | 28 | 25 | 5,20 | 15,44 | 0,14 | PHS 06B-2BH13 |
| | 14 | 42,80 | B | 10 | 18 | 31 | 25 | 5,20 | 15,44 | 0,17 | PHS 06B-2BH14 |
| | 15 | 45,81 | B | 10 | 18 | 34 | 25 | 5,20 | 15,44 | 0,20 | PHS 06B-2BH15 |
| | 16 | 48,82 | B | 12 | 20 | 37 | 30 | 5,20 | 15,44 | 0,26 | PHS 06B-2BH16 |
| | 17 | 51,83 | B | 12 | 23 | 40 | 30 | 5,20 | 15,44 | 0,32 | PHS 06B-2BH17 |
| | 18 | 54,85 | B | 12 | 25 | 43 | 30 | 5,20 | 15,44 | 0,37 | PHS 06B-2BH18 |
| | 19 | 57,87 | B | 12 | 28 | 46 | 30 | 5,20 | 15,44 | 0,42 | PHS 06B-2BH19 |
| | 20 | 60,89 | B | 12 | 25 | 49 | 30 | 5,20 | 15,44 | 0,48 | PHS 06B-2BH20 |
| | 21 | 63,91 | B | 12 | 30 | 52 | 30 | 5,20 | 15,44 | 0,54 | PHS 06B-2BH21 |
| | 22 | 66,93 | B | 12 | 28 | 55 | 30 | 5,20 | 15,44 | 0,61 | PHS 06B-2BH22 |
| | 23 | 69,95 | B | 12 | 35 | 58 | 30 | 5,20 | 15,44 | 0,67 | PHS 06B-2BH23 |
| | 24 | 72,97 | B | 12 | 32 | 61 | 30 | 5,20 | 15,44 | 0,74 | PHS 06B-2BH24 |
| | 25 | 76,00 | B | 12 | 40 | 64 | 30 | 5,20 | 15,44 | 0,81 | PHS 06B-2BH25 |
| | 26 | 79,02 | B | 12 | 32 | 67 | 30 | 5,20 | 15,44 | 0,92 | PHS 06B-2BH26 |
| | 27 | 82,05 | B | 12 | 40 | 70 | 30 | 5,20 | 15,44 | 0,97 | PHS 06B-2BH27 |
| | 28 | 85,07 | B | 12 | 32 | 73 | 30 | 5,20 | 15,44 | 1,08 | PHS 06B-2BH28 |
| | 29 | 88,09 | B | 12 | 32 | 76 | 30 | 5,20 | 15,44 | 1,15 | PHS 06B-2BH29 |
| | 30 | 91,12 | B | 12 | 40 | 79 | 30 | 5,20 | 15,44 | 1,23 | PHS 06B-2BH30 |
| | 32 | 97,17 | B | 16 | 52 | 80 | 30 | 5,20 | 15,44 | 1,38 | PHS 06B-2BH32 |
| | 35 | 106,26 | B | 16 | 52 | 80 | 30 | 5,20 | 15,44 | 1,61 | PHS 06B-2BH35 |
| | 36 | 109,29 | B | 16 | 60 | 90 | 30 | 5,20 | 15,44 | 1,69 | PHS 06B-2BH36 |
| | 38 | 115,35 | B | 16 | 50 | 90 | 30 | 5,20 | 15,44 | 1,84 | PHS 06B-2BH38 |
| | 40 | 121,40 | B | 16 | 52 | 90 | 30 | 5,20 | 15,44 | 2,00 | PHS 06B-2BH40 |
| | 42 | 127,46 | B | 16 | 60 | 90 | 40 | 5,20 | 15,44 | 2,15 | PHS 06B-2BH42 |
| | 45 | 136,55 | B | 16 | 50 | 90 | 40 | 5,20 | 15,44 | 2,01 | PHS 06B-2BH45 |
| | 48 | 145,64 | B | 16 | 60 | 90 | 40 | 5,20 | 15,44 | 2,61 | PHS 06B-2BH48 |
| | 52 | 157,75 | B | 16 | 60 | 90 | 40 | 5,20 | 15,44 | 2,92 | PHS 06B-2BH52 |
| | 57 | 172,91 | B | 16 | 50 | 90 | 40 | 5,20 | 15,44 | 2,34 | PHS 06B-2BH57 |
| | 60 | 182,00 | B | 16 | 60 | 90 | 40 | 5,20 | 15,44 | 3,53 | PHS 06B-2BH60 |
| | 68 | 206,24 | B | 16 | 60 | 90 | 40 | 5,20 | 15,44 | 4,14 | PHS 06B-2BH68 |
| | 70 | 212,30 | B | 16 | 60 | 90 | 40 | 5,20 | 15,44 | 4,30 | PHS 06B-2BH70 |
| 72 | 218,37 | B | 16 | 60 | 90 | 40 | 5,20 | 15,44 | 4,45 | PHS 06B-2BH72 | |
| 76 | 230,49 | B | 16 | 50 | 90 | 40 | 5,20 | 15,44 | 3,35 | PHS 06B-2BH76 | |
| 84 | 254,74 | B | 16 | 60 | 90 | 40 | 5,20 | 15,44 | 5,37 | PHS 06B-2BH84 | |
| 95 | 288,08 | B | 16 | 62 | 90 | 40 | 5,20 | 15,44 | 6,21 | PHS 06B-2BH95 | |
| 96 | 291,11 | B | 16 | 62 | 90 | 40 | 5,20 | 15,44 | 6,29 | PHS 06B-2BH96 | |
| 114 | 345,68 | B | 16 | 62 | 90 | 40 | 5,20 | 15,44 | 7,67 | PHS 06B-2BH114 | |
| 12,70 | 10 | 41,10 | B | 10 | 18 | 28 | 32 | 7,24 | 21,13 | 0,15 | PHS 08B-2BH10 |
| | 11 | 45,07 | B | 12 | 21 | 32 | 35 | 7,24 | 21,13 | 0,22 | PHS 08B-2BH11 |
| | 12 | 49,07 | B | 12 | 19 | 35 | 35 | 7,24 | 21,13 | 0,29 | PHS 08B-2BH12 |
| | 13 | 53,06 | B | 12 | 21 | 38 | 35 | 7,24 | 21,13 | 0,36 | PHS 08B-2BH13 |
| | 14 | 57,07 | B | 12 | 28 | 42 | 35 | 7,24 | 21,13 | 0,44 | PHS 08B-2BH14 |
| | 15 | 61,09 | B | 12 | 28 | 46 | 35 | 7,24 | 21,13 | 0,52 | PHS 08B-2BH15 |
| | 16 | 65,10 | B | 14 | 33 | 50 | 35 | 7,24 | 21,13 | 0,61 | PHS 08B-2BH16 |
| | 17 | 69,11 | B | 14 | 30 | 54 | 35 | 7,24 | 21,13 | 0,70 | PHS 08B-2BH17 |
| | 18 | 73,14 | B | 14 | 38 | 58 | 35 | 7,24 | 21,13 | 0,81 | PHS 08B-2BH18 |
| | 19 | 77,16 | B | 14 | 40 | 62 | 35 | 7,24 | 21,13 | 0,91 | PHS 08B-2BH19 |
| | 20 | 81,19 | B | 14 | 40 | 66 | 35 | 7,24 | 21,13 | 1,10 | PHS 08B-2BH20 |
| | 21 | 85,22 | B | 16 | 40 | 70 | 40 | 7,24 | 21,13 | 1,29 | PHS 08B-2BH21 |
| | 22 | 89,24 | B | 16 | 45 | 70 | 40 | 7,24 | 21,13 | 1,37 | PHS 08B-2BH22 |
| | 23 | 93,27 | B | 16 | 50 | 70 | 40 | 7,24 | 21,13 | 1,46 | PHS 08B-2BH23 |
| | 24 | 97,29 | B | 16 | 50 | 75 | 40 | 7,24 | 21,13 | 1,64 | PHS 08B-2BH24 |

Maximum bores can accommodate standard keyways. Larger bores are available.
 All Type B or C sprockets, up to and including 25 tooth, are with hardened teeth as standard.
 For any additional size sprockets with hardened teeth, add "H" before the number of teeth, e.g. PHS 06B-2BH12.

Metric sprockets, duplex, standard

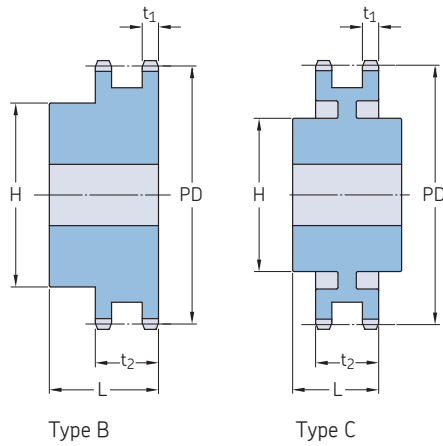
ISO 08B-2 · 12,70 mm pitch | ISO 10B-2 · 15,88 mm pitch | ISO 12B-2 · 19,05 mm pitch

| Pitch | Number of teeth | Pitch diameter PD | Type | Dimensions | | Hub | | Plate thickness | | Mass | Designation | |
|-------|-----------------|----------------------|--------|------------|------|-----|-----|-----------------|----------------|-------|---------------|---------------|
| | | | | Bore | | H | L | t ₁ | t ₂ | | | |
| | | | | Min. | Max. | | | | | | | |
| mm | - | mm | - | mm | | | | | kg | - | | |
| 12,70 | 25 | 101,33 | B | 16 | 50 | 80 | 40 | 7,24 | 21,13 | 1,83 | PHS 08B-2BH25 | |
| | 26 | 105,36 | B | 16 | 56 | 85 | 40 | 7,24 | 21,13 | 1,96 | PHS 08B-2B26 | |
| | 27 | 109,40 | B | 16 | 50 | 85 | 40 | 7,24 | 21,13 | 2,09 | PHS 08B-2B27 | |
| | 28 | 113,42 | B | 16 | 60 | 90 | 40 | 7,24 | 21,13 | 2,31 | PHS 08B-2B28 | |
| | 29 | 117,46 | B | 16 | 62 | 95 | 40 | 7,24 | 21,13 | 2,53 | PHS 08B-2B29 | |
| | 30 | 121,50 | B | 16 | 50 | 100 | 40 | 7,24 | 21,13 | 2,75 | PHS 08B-2B30 | |
| | 32 | 129,56 | B | 20 | 64 | 100 | 40 | 7,24 | 21,13 | 3,08 | PHS 08B-2B32 | |
| | 34 | 137,64 | B | 20 | 64 | 100 | 40 | 7,24 | 21,13 | 3,24 | PHS 08B-2B34 | |
| | 35 | 141,68 | B | 20 | 64 | 100 | 40 | 7,24 | 21,13 | 3,41 | PHS 08B-2B35 | |
| | 36 | 145,72 | B | 20 | 73 | 100 | 40 | 7,24 | 21,13 | 3,74 | PHS 08B-2B36 | |
| | 38 | 153,80 | B | 20 | 55 | 100 | 40 | 7,24 | 21,13 | 4,08 | PHS 08B-2B38 | |
| | 40 | 161,87 | B | 20 | 73 | 100 | 50 | 7,24 | 21,13 | 4,00 | PHS 08B-2B40 | |
| | 42 | 169,95 | B | 20 | 73 | 108 | 50 | 7,24 | 21,13 | 3,90 | PHS 08B-2B42 | |
| | 45 | 182,07 | B | 20 | 55 | 108 | 50 | 7,24 | 21,13 | 3,70 | PHS 08B-2B45 | |
| | 48 | 194,18 | B | 20 | 73 | 108 | 50 | 7,24 | 21,13 | 4,10 | PHS 08B-2B48 | |
| | 54 | 218,43 | B | 20 | 73 | 108 | 50 | 7,24 | 21,13 | 4,70 | PHS 08B-2B54 | |
| | 57 | 230,54 | B | 20 | 55 | 108 | 50 | 7,24 | 21,13 | 5,01 | PHS 08B-2B57 | |
| | 60 | 242,66 | B | 20 | 73 | 108 | 50 | 7,24 | 21,13 | 5,34 | PHS 08B-2B60 | |
| | 68 | 274,99 | B | 20 | 73 | 108 | 55 | 7,24 | 21,13 | 5,68 | PHS 08B-2B68 | |
| | 72 | 291,16 | B | 20 | 73 | 108 | 55 | 7,24 | 21,13 | 6,02 | PHS 08B-2B72 | |
| | 76 | 307,33 | B | 20 | 60 | 108 | 55 | 7,24 | 21,13 | 6,36 | PHS 08B-2B76 | |
| | 84 | 339,65 | B | 20 | 80 | 120 | 55 | 7,24 | 21,13 | 8,31 | PHS 08B-2B84 | |
| | 95 | 384,10 | B | 20 | 60 | 110 | 55 | 7,24 | 21,13 | 10,26 | PHS 08B-2B95 | |
| | 96 | 388,15 | B | 20 | 80 | 110 | 55 | 7,24 | 21,13 | 11,00 | PHS 08B-2B96 | |
| | 114 | 460,90 | B | 20 | 80 | 110 | 55 | 7,24 | 21,13 | 12,45 | PHS 08B-2B114 | |
| | 15,88 | 11 | 56,34 | B | 14 | 24 | 39 | 40 | 8,97 | 25,55 | 0,45 | PHS 10B-2BH11 |
| | | 12 | 61,34 | B | 14 | 25 | 44 | 40 | 8,97 | 25,55 | 0,57 | PHS 10B-2BH12 |
| | | 13 | 66,32 | B | 14 | 29 | 49 | 40 | 8,97 | 25,55 | 0,70 | PHS 10B-2BH13 |
| | | 14 | 71,34 | B | 14 | 35 | 54 | 40 | 8,97 | 25,55 | 0,84 | PHS 10B-2BH14 |
| | | 15 | 76,36 | B | 14 | 35 | 59 | 40 | 8,97 | 25,55 | 0,99 | PHS 10B-2BH15 |
| | | 16 | 81,37 | B | 16 | 40 | 64 | 45 | 8,97 | 25,55 | 1,23 | PHS 10B-2BH16 |
| | | 17 | 86,39 | B | 16 | 40 | 69 | 45 | 8,97 | 25,55 | 1,47 | PHS 10B-2BH17 |
| | | 18 | 91,42 | B | 16 | 48 | 74 | 45 | 8,97 | 25,55 | 1,68 | PHS 10B-2BH18 |
| | | 19 | 96,45 | B | 16 | 46 | 79 | 45 | 8,97 | 25,55 | 1,90 | PHS 10B-2BH19 |
| | | 20 | 101,49 | B | 16 | 56 | 84 | 45 | 8,97 | 25,55 | 2,10 | PHS 10B-2BH20 |
| | | 21 | 106,52 | B | 16 | 55 | 85 | 45 | 8,97 | 25,55 | 2,31 | PHS 10B-2BH21 |
| | | 22 | 111,55 | B | 16 | 60 | 90 | 45 | 8,97 | 25,55 | 2,58 | PHS 10B-2BH22 |
| | | 23 | 116,58 | B | 16 | 55 | 95 | 45 | 8,97 | 25,55 | 2,85 | PHS 10B-2BH23 |
| | | 24 | 121,62 | B | 16 | 64 | 100 | 45 | 8,97 | 25,55 | 3,14 | PHS 10B-2BH24 |
| 25 | | 126,66 | B | 16 | 55 | 105 | 45 | 8,97 | 25,55 | 3,44 | PHS 10B-2BH25 | |
| 26 | | 131,70 | B | 20 | 73 | 110 | 45 | 8,97 | 25,55 | 3,69 | PHS 10B-2B26 | |
| 27 | | 136,75 | B | 20 | 55 | 110 | 45 | 8,97 | 25,55 | 3,95 | PHS 10B-2B27 | |
| 28 | | 141,78 | B | 20 | 76 | 115 | 45 | 8,97 | 25,55 | 4,25 | PHS 10B-2B28 | |
| 29 | | 146,83 | B | 20 | 76 | 115 | 45 | 8,97 | 25,55 | 4,55 | PHS 10B-2B29 | |
| 30 | | 151,87 | B | 20 | 58 | 120 | 45 | 8,97 | 25,55 | 4,87 | PHS 10B-2B30 | |
| 32 | | 161,95 | B | 20 | 80 | 120 | 45 | 8,97 | 25,55 | 4,95 | PHS 10B-2B32 | |
| 35 | | 177,10 | B | 20 | 80 | 120 | 45 | 8,97 | 25,55 | 5,08 | PHS 10B-2B35 | |
| 36 | | 182,15 | B | 20 | 80 | 120 | 45 | 8,97 | 25,55 | 5,11 | PHS 10B-2B36 | |
| 38 | | 192,24 | B | 20 | 58 | 120 | 45 | 8,97 | 25,55 | 5,20 | PHS 10B-2B38 | |
| 40 | | 202,34 | B | 20 | 80 | 120 | 45 | 8,97 | 25,55 | 5,41 | PHS 10B-2B40 | |
| 45 | | 227,58 | B | 20 | 60 | 120 | 50 | 8,97 | 25,55 | 5,94 | PHS 10B-2B45 | |
| 48 | | 242,73 | B | 20 | 80 | 120 | 50 | 8,97 | 25,55 | 7,27 | PHS 10B-2B48 | |
| 57 | | 288,18 | B | 20 | 60 | 120 | 50 | 8,97 | 25,55 | 8,61 | PHS 10B-2B57 | |
| 60 | | 303,32 | B | 20 | 85 | 120 | 57 | 8,97 | 25,55 | 9,30 | PHS 10B-2B60 | |
| 70 | | 353,84 | B | 20 | 85 | 120 | 57 | 8,97 | 25,55 | 9,99 | PHS 10B-2B70 | |
| 76 | | 384,16 | B | 20 | 85 | 120 | 57 | 8,97 | 25,55 | 10,68 | PHS 10B-2B76 | |
| 80 | | 404,35 | B | 20 | 85 | 130 | 58 | 8,97 | 25,55 | 11,00 | PHS 10B-2B80 | |
| 95 | | 480,14 | B | 20 | 85 | 130 | 58 | 8,97 | 25,55 | 12,00 | PHS 10B-2B95 | |
| 114 | | 576,13 | B | 20 | 85 | 130 | 58 | 8,97 | 25,55 | 13,00 | PHS 10B-2B114 | |
| 19,05 | | 10 | 61,65 | B | 12 | 32 | 42 | 45 | 10,87 | 30,33 | 0,57 | PHS 12B-2BH10 |
| | | 11 | 67,61 | B | 16 | 32 | 47 | 50 | 10,87 | 30,33 | 0,80 | PHS 12B-2BH11 |
| | | 12 | 73,61 | B | 16 | 32 | 53 | 50 | 10,87 | 30,33 | 1,03 | PHS 12B-2BH12 |
| | | 13 | 79,59 | B | 16 | 36 | 59 | 50 | 10,87 | 30,33 | 1,26 | PHS 12B-2BH13 |
| | | 14 | 85,61 | B | 16 | 42 | 65 | 50 | 10,87 | 30,33 | 1,52 | PHS 12B-2BH14 |
| | 15 | 91,63 | B | 16 | 44 | 71 | 50 | 10,87 | 30,33 | 1,78 | PHS 12B-2BH15 | |
| | 16 | 97,65 | B | 20 | 51 | 77 | 50 | 10,87 | 30,33 | 2,08 | PHS 12B-2BH16 | |
| | 17 | 103,67 | B | 20 | 55 | 83 | 50 | 10,87 | 30,33 | 2,37 | PHS 12B-2BH17 | |
| | 18 | 109,71 | B | 20 | 60 | 89 | 50 | 10,87 | 30,33 | 2,72 | PHS 12B-2BH18 | |
| | 19 | 115,75 | B | 20 | 55 | 95 | 50 | 10,87 | 30,33 | 3,07 | PHS 12B-2BH19 | |
| | 20 | 121,78 | B | 20 | 64 | 100 | 50 | 10,87 | 30,33 | 3,39 | PHS 12B-2BH20 | |
| | 21 | 127,82 | B | 20 | 60 | 100 | 50 | 10,87 | 30,33 | 3,70 | PHS 12B-2BH21 | |
| | 22 | 133,86 | B | 20 | 64 | 100 | 50 | 10,87 | 30,33 | 4,11 | PHS 12B-2BH22 | |
| | 23 | 139,90 | B | 20 | 60 | 110 | 50 | 10,87 | 30,33 | 4,52 | PHS 12B-2BH23 | |
| | 24 | 145,94 | B | 20 | 73 | 110 | 50 | 10,87 | 30,33 | 4,96 | PHS 12B-2BH24 | |

Maximum bores can accommodate standard keyways. Larger bores are available.
 All Type B or C sprockets, up to and including 25 tooth, are with hardened teeth as standard.
 For any additional size sprockets with hardened teeth, add "H" before the number of teeth, e.g. PHS 06B-2BH12.

Metric sprockets, duplex, standard

ISO 12B-2 · 19,05 mm pitch | ISO 16B-2 · 25,40 mm pitch



| Pitch | Number of teeth | Pitch diameter PD | Type | Dimensions Bore | | Hub | | Plate thickness | | Mass | Designation |
|-------|-----------------|----------------------|------|--------------------|------|-----|-------|-----------------|----------------|---------------|---------------|
| | | | | Min. | Max. | H | L | t ₁ | t ₂ | | |
| mm | - | mm | - | mm | | | | | | kg | - |
| 19,05 | 25 | 152,00 | B | 20 | 60 | 120 | 50 | 10,87 | 30,33 | 5,39 | PHS 12B-2BH25 |
| | 26 | 158,04 | B | 20 | 80 | 120 | 50 | 10,87 | 30,33 | 5,74 | PHS 12B-2B26 |
| | 27 | 164,09 | B | 20 | 60 | 120 | 50 | 10,87 | 30,33 | 6,09 | PHS 12B-2B27 |
| | 28 | 170,13 | B | 20 | 80 | 120 | 50 | 10,87 | 30,33 | 6,45 | PHS 12B-2B28 |
| | 30 | 182,25 | B | 20 | 60 | 120 | 50 | 10,87 | 30,33 | 7,17 | PHS 12B-2B30 |
| | 32 | 194,36 | B | 20 | 85 | 120 | 50 | 10,87 | 30,33 | 8,41 | PHS 12B-2B32 |
| | 35 | 212,52 | B | 20 | 85 | 120 | 50 | 10,87 | 30,33 | 9,70 | PHS 12B-2B35 |
| | 36 | 218,58 | B | 25 | 85 | 120 | 50 | 10,87 | 30,33 | 10,12 | PHS 12B-2B36 |
| | 38 | 230,69 | B | 25 | 65 | 120 | 50 | 10,87 | 30,33 | 10,98 | PHS 12B-2B38 |
| | 40 | 242,81 | B | 25 | 85 | 120 | 50 | 10,87 | 30,33 | 11,84 | PHS 12B-2B40 |
| | 45 | 273,10 | B | 25 | 65 | 136 | 62 | 10,87 | 30,33 | 10,58 | PHS 12B-2B45 |
| | 48 | 291,27 | B | 25 | 85 | 136 | 62 | 10,87 | 30,33 | 15,26 | PHS 12B-2B48 |
| | 57 | 345,81 | B | 25 | 70 | 136 | 62 | 10,87 | 30,33 | 11,72 | PHS 12B-2B57 |
| | 60 | 363,99 | B | 25 | 85 | 136 | 62 | 10,87 | 30,33 | 20,40 | PHS 12B-2B60 |
| | 68 | 412,49 | C | 25 | 85 | 140 | 63 | 10,87 | 30,33 | 23,83 | PHS 12B-2C68 |
| | 76 | 460,99 | C | 25 | 80 | 140 | 63 | 10,87 | 30,33 | 18,50 | PHS 12B-2C76 |
| | 80 | 485,22 | C | 25 | 85 | 140 | 63 | 10,87 | 30,33 | 28,97 | PHS 12B-2C80 |
| | 95 | 576,17 | C | 25 | 93 | 140 | 63 | 10,87 | 30,33 | 35,39 | PHS 12B-2C95 |
| | 96 | 582,23 | C | 25 | 93 | 140 | 63 | 10,87 | 30,33 | 35,82 | PHS 12B-2C96 |
| | 114 | 691,36 | C | 25 | 93 | 140 | 63 | 10,87 | 30,33 | 43,53 | PHS 12B-2C114 |
| 25,40 | 11 | 90,14 | B | 20 | 42 | 64 | 70 | 15,83 | 47,71 | 1,86 | PHS 16B-2BH11 |
| | 12 | 98,14 | B | 20 | 45 | 72 | 70 | 15,83 | 47,71 | 2,54 | PHS 16B-2BH12 |
| | 13 | 106,12 | B | 20 | 48 | 80 | 70 | 15,83 | 47,71 | 3,22 | PHS 16B-2BH13 |
| | 14 | 114,15 | B | 20 | 53 | 88 | 70 | 15,83 | 47,71 | 3,90 | PHS 16B-2BH14 |
| | 15 | 122,17 | B | 20 | 58 | 96 | 70 | 15,83 | 47,71 | 4,58 | PHS 16B-2BH15 |
| | 16 | 130,20 | B | 20 | 66 | 104 | 70 | 15,83 | 47,71 | 5,35 | PHS 16B-2BH16 |
| | 17 | 138,22 | B | 20 | 70 | 112 | 70 | 15,83 | 47,71 | 6,12 | PHS 16B-2BH17 |
| | 18 | 146,28 | B | 20 | 80 | 120 | 70 | 15,83 | 47,71 | 7,02 | PHS 16B-2BH18 |
| | 19 | 154,33 | B | 20 | 70 | 128 | 70 | 15,83 | 47,71 | 7,91 | PHS 16B-2BH19 |
| | 20 | 162,38 | B | 20 | 85 | 130 | 70 | 15,83 | 47,71 | 8,59 | PHS 16B-2BH20 |
| | 21 | 170,43 | B | 25 | 75 | 130 | 70 | 15,83 | 47,71 | 9,26 | PHS 16B-2BH21 |
| | 22 | 178,48 | B | 25 | 85 | 130 | 70 | 15,83 | 47,71 | 10,05 | PHS 16B-2BH22 |
| | 23 | 186,53 | B | 25 | 75 | 130 | 70 | 15,83 | 47,71 | 10,84 | PHS 16B-2BH23 |
| | 24 | 194,59 | B | 25 | 85 | 130 | 70 | 15,83 | 47,71 | 11,70 | PHS 16B-2BH24 |
| | 25 | 202,66 | B | 25 | 75 | 130 | 70 | 15,83 | 47,71 | 12,56 | PHS 16B-2BH25 |
| | 26 | 210,72 | B | 25 | 85 | 130 | 70 | 15,83 | 47,71 | 13,52 | PHS 16B-2B26 |
| | 27 | 218,79 | B | 25 | 75 | 130 | 70 | 15,83 | 47,71 | 14,48 | PHS 16B-2B27 |
| | 28 | 226,85 | B | 25 | 85 | 130 | 70 | 15,83 | 47,71 | 15,49 | PHS 16B-2B28 |
| | 29 | 234,92 | B | 25 | 85 | 130 | 70 | 15,83 | 47,71 | 16,51 | PHS 16B-2B29 |
| | 30 | 243,00 | B | 25 | 75 | 130 | 70 | 15,83 | 47,71 | 17,52 | PHS 16B-2B30 |
| | 32 | 259,13 | B | 25 | 95 | 140 | 70 | 15,83 | 47,71 | 20,13 | PHS 16B-2B32 |
| | 35 | 283,36 | B | 25 | 95 | 140 | 70 | 15,83 | 47,71 | 24,04 | PHS 16B-2B35 |
| | 36 | 291,44 | B | 25 | 95 | 140 | 70 | 15,83 | 47,71 | 25,34 | PHS 16B-2B36 |
| | 38 | 307,59 | B | 25 | 75 | 140 | 70 | 15,83 | 47,71 | 27,95 | PHS 16B-2B38 |
| | 42 | 339,90 | B | 25 | 95 | 140 | 70 | 15,83 | 47,71 | 32,35 | PHS 16B-2B42 |
| | 45 | 364,13 | C | 25 | 85 | 140 | 70 | 15,83 | 47,71 | 22,00 | PHS 16B-2C45 |
| | 57 | 461,07 | C | 25 | 85 | 150 | 85 | 15,83 | 47,71 | 34,50 | PHS 16B-2C57 |
| | 60 | 485,32 | C | 25 | 95 | 150 | 85 | 15,83 | 47,71 | 52,14 | PHS 16B-2C60 |
| | 68 | 549,98 | C | 25 | 96 | 160 | 90 | 15,83 | 47,71 | 60,93 | PHS 16B-2C68 |
| | 76 | 614,65 | C | 25 | 100 | 160 | 90 | 15,83 | 47,71 | 51,50 | PHS 16B-2C76 |
| | 80 | 646,96 | C | 25 | 102 | 160 | 90 | 15,83 | 47,71 | 74,13 | PHS 16B-2C80 |
| | 95 | 768,22 | C | 25 | 100 | 160 | 90 | 15,83 | 47,71 | 90,62 | PHS 16B-2C95 |
| 114 | 921,81 | C | 25 | 102 | 160 | 90 | 15,83 | 47,71 | 111,51 | PHS 16B-2C114 | |

Maximum bores can accommodate standard keyways. Larger bores are available.
 All Type B or C sprockets, up to and including 25 tooth, are with hardened teeth as standard.
 For any additional size sprockets with hardened teeth, add "H" before the number of teeth, e.g. PHS 06B-2BH12.

Metric sprockets, duplex, standard

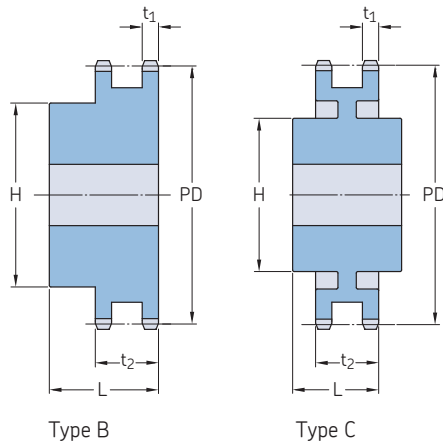
ISO 20B-2 · 31,75 mm pitch | ISO 24B-2 · 38,10 mm pitch | ISO 28B-2 · 44,45 mm pitch

| Pitch | Number of teeth | Pitch diameter | Type | Dimensions | | Hub | | Plate thickness | | Mass | Designation | |
|-------|-----------------|----------------|--------|------------|------|-----|-----|-----------------|----------------|--------|---------------|---------------|
| | | PD | | Bore | | H | L | t ₁ | t ₂ | | | |
| | | | | Min. | Max. | | | | | | | |
| mm | - | mm | - | mm | | | | | kg | - | | |
| 31,75 | 10 | 102,75 | B | 20 | 45 | 70 | 75 | 18,19 | 54,64 | 2,90 | PHS 20B-2BH10 | |
| | 11 | 112,70 | B | 20 | 52 | 80 | 80 | 18,19 | 54,64 | 3,67 | PHS 20B-2BH11 | |
| | 12 | 122,67 | B | 20 | 60 | 90 | 80 | 18,19 | 54,64 | 4,31 | PHS 20B-2BH12 | |
| | 13 | 132,67 | B | 20 | 64 | 100 | 80 | 18,19 | 54,64 | 5,53 | PHS 20B-2BH13 | |
| | 14 | 142,68 | B | 20 | 73 | 110 | 80 | 18,19 | 54,64 | 6,62 | PHS 20B-2BH14 | |
| | 15 | 152,71 | B | 20 | 80 | 120 | 80 | 18,19 | 54,64 | 7,76 | PHS 20B-2BH15 | |
| | 16 | 162,75 | B | 25 | 80 | 120 | 80 | 18,19 | 54,64 | 9,12 | PHS 20B-2BH16 | |
| | 17 | 172,79 | B | 25 | 80 | 120 | 80 | 18,19 | 54,64 | 10,44 | PHS 20B-2BH17 | |
| | 18 | 182,84 | B | 25 | 80 | 120 | 80 | 18,19 | 54,64 | 11,71 | PHS 20B-2BH18 | |
| | 19 | 192,90 | B | 25 | 80 | 120 | 80 | 18,19 | 54,64 | 12,92 | PHS 20B-2BH19 | |
| | 20 | 202,96 | B | 25 | 80 | 120 | 80 | 18,19 | 54,64 | 15,43 | PHS 20B-2BH20 | |
| | 21 | 213,03 | B | 25 | 92 | 140 | 80 | 18,19 | 54,64 | 16,55 | PHS 20B-2BH21 | |
| | 22 | 223,10 | B | 25 | 92 | 140 | 80 | 18,19 | 54,64 | 17,70 | PHS 20B-2BH22 | |
| | 23 | 233,17 | B | 25 | 92 | 140 | 80 | 18,19 | 54,64 | 19,05 | PHS 20B-2BH23 | |
| | 24 | 243,25 | B | 25 | 96 | 140 | 80 | 18,19 | 54,64 | 20,43 | PHS 20B-2BH24 | |
| | 25 | 253,32 | B | 25 | 96 | 140 | 80 | 18,19 | 54,64 | 21,77 | PHS 20B-2BH25 | |
| | 26 | 263,41 | B | 25 | 96 | 150 | 80 | 18,19 | 54,64 | 23,15 | PHS 20B-2BH26 | |
| | 27 | 273,49 | B | 25 | 96 | 150 | 80 | 18,19 | 54,64 | 24,97 | PHS 20B-2BH27 | |
| | 28 | 283,57 | B | 25 | 96 | 150 | 80 | 18,19 | 54,64 | 26,78 | PHS 20B-2BH28 | |
| | 30 | 303,75 | B | 25 | 96 | 150 | 80 | 18,19 | 54,64 | 30,41 | PHS 20B-2B30 | |
| | 32 | 323,92 | B | 25 | 96 | 150 | 80 | 18,19 | 54,64 | 32,22 | PHS 20B-2B32 | |
| | 35 | 354,20 | C | 25 | 100 | 150 | 80 | 18,19 | 54,64 | 34,02 | PHS 20B-2C35 | |
| | 36 | 364,29 | C | 30 | 100 | 150 | 80 | 18,19 | 54,64 | 34,70 | PHS 20B-2C36 | |
| | 38 | 384,48 | C | 30 | 100 | 150 | 80 | 18,19 | 54,64 | 43,72 | PHS 20B-2C38 | |
| | 42 | 424,86 | C | 30 | 100 | 160 | 90 | 18,19 | 54,64 | 43,55 | PHS 20B-2C42 | |
| | 45 | 455,15 | C | 30 | 100 | 160 | 90 | 18,19 | 54,64 | 46,72 | PHS 20B-2C45 | |
| | 57 | 576,35 | C | 30 | 100 | 160 | 100 | 18,19 | 54,64 | 64,10 | PHS 20B-2C57 | |
| | 60 | 606,66 | C | 30 | 125 | 160 | 100 | 18,19 | 54,64 | 79,38 | PHS 20B-2C60 | |
| | 68 | 687,48 | C | 30 | 125 | 180 | 100 | 18,19 | 54,64 | 87,74 | PHS 20B-2C68 | |
| | 76 | 768,30 | C | 30 | 125 | 180 | 100 | 18,19 | 54,64 | 96,11 | PHS 20B-2C76 | |
| | 80 | 808,71 | C | 30 | 125 | 180 | 100 | 18,19 | 54,64 | 100,30 | PHS 20B-2C80 | |
| | 95 | 960,28 | C | 30 | 125 | 180 | 100 | 18,19 | 54,64 | 115,98 | PHS 20B-2C95 | |
| | 114 | 1 152,26 | C | 30 | 125 | 180 | 100 | 18,19 | 54,64 | 135,85 | PHS 20B-2C114 | |
| | 38,10 | 11 | 135,23 | B | 25 | 60 | 90 | 100 | 23,62 | 71,98 | 6,50 | PHS 24B-2BH11 |
| | | 12 | 147,21 | B | 25 | 67 | 102 | 100 | 23,62 | 71,98 | 8,13 | PHS 24B-2BH12 |
| | | 13 | 159,20 | B | 25 | 76 | 114 | 100 | 23,62 | 71,98 | 9,92 | PHS 24B-2BH13 |
| | | 14 | 171,22 | B | 25 | 84 | 128 | 100 | 23,62 | 71,98 | 11,98 | PHS 24B-2BH14 |
| | | 15 | 183,25 | B | 25 | 93 | 132 | 100 | 23,62 | 71,98 | 14,13 | PHS 24B-2BH15 |
| | | 16 | 195,29 | B | 25 | 100 | 136 | 100 | 23,62 | 71,98 | 16,35 | PHS 24B-2BH16 |
| | | 17 | 207,35 | B | 25 | 100 | 136 | 100 | 23,62 | 71,98 | 17,85 | PHS 24B-2BH17 |
| | | 18 | 219,41 | B | 25 | 108 | 150 | 100 | 23,62 | 71,98 | 20,35 | PHS 24B-2BH18 |
| | | 19 | 231,48 | B | 25 | 108 | 160 | 100 | 23,62 | 71,98 | 22,56 | PHS 24B-2BH19 |
| | | 20 | 243,55 | B | 25 | 108 | 160 | 100 | 23,62 | 71,98 | 24,78 | PHS 24B-2BH20 |
| 21 | | 255,63 | B | 25 | 108 | 160 | 100 | 23,62 | 71,98 | 26,99 | PHS 24B-2BH21 | |
| 22 | | 267,72 | B | 25 | 108 | 160 | 100 | 23,62 | 71,98 | 29,74 | PHS 24B-2BH22 | |
| 23 | | 279,80 | B | 25 | 108 | 160 | 100 | 23,62 | 71,98 | 32,87 | PHS 24B-2BH23 | |
| 24 | | 291,90 | B | 25 | 108 | 160 | 100 | 23,62 | 71,98 | 36,00 | PHS 24B-2BH24 | |
| 25 | | 303,99 | B | 25 | 108 | 160 | 100 | 23,62 | 71,98 | 39,13 | PHS 24B-2BH25 | |
| 26 | | 316,09 | B | 30 | 108 | 160 | 100 | 23,62 | 71,98 | 42,26 | PHS 24B-2B26 | |
| 27 | | 328,19 | B | 30 | 108 | 160 | 100 | 23,62 | 71,98 | 45,40 | PHS 24B-2B27 | |
| 28 | | 340,29 | B | 30 | 108 | 160 | 100 | 23,62 | 71,98 | 48,53 | PHS 24B-2B28 | |
| 29 | | 352,39 | B | 30 | 108 | 160 | 100 | 23,62 | 71,98 | 51,66 | PHS 24B-2B29 | |
| 30 | | 364,49 | B | 30 | 108 | 160 | 100 | 23,62 | 71,98 | 54,79 | PHS 24B-2B30 | |
| 32 | | 388,71 | B | 30 | 108 | 160 | 100 | 23,62 | 71,98 | 61,05 | PHS 24B-2B32 | |
| 38 | | 461,37 | B | 30 | 137 | 160 | 100 | 23,62 | 71,98 | 72,01 | PHS 24B-2B38 | |
| 40 | | 485,60 | C | 30 | 137 | 160 | 100 | 23,62 | 71,98 | 75,80 | PHS 24B-2C40 | |
| 42 | | 509,83 | C | 30 | 137 | 180 | 100 | 23,62 | 71,98 | 79,59 | PHS 24B-2C42 | |
| 45 | | 546,19 | C | 30 | 137 | 180 | 100 | 23,62 | 71,98 | 85,28 | PHS 24B-2C45 | |
| 48 | | 582,54 | C | 30 | 137 | 180 | 100 | 23,62 | 71,98 | 90,97 | PHS 24B-2C48 | |
| 50 | | 606,78 | C | 30 | 137 | 180 | 100 | 23,62 | 71,98 | 94,76 | PHS 24B-2C50 | |
| 54 | | 655,26 | C | 30 | 161 | 180 | 110 | 23,62 | 71,98 | 127,46 | PHS 24B-2C54 | |
| 57 | | 691,62 | C | 30 | 161 | 180 | 110 | 23,62 | 71,98 | 140,74 | PHS 24B-2C57 | |
| 60 | | 727,99 | C | 30 | 161 | 180 | 120 | 23,62 | 71,98 | 154,02 | PHS 24B-2C60 | |
| 68 | | 824,97 | C | 30 | 161 | 200 | 120 | 23,62 | 71,98 | 189,45 | PHS 24B-2C68 | |
| 72 | | 873,46 | C | 30 | 161 | 200 | 120 | 23,62 | 71,98 | 207,16 | PHS 24B-2C72 | |
| 76 | | 921,96 | C | 30 | 161 | 200 | 120 | 23,62 | 71,98 | 224,87 | PHS 24B-2C76 | |
| 95 | | 1 152,33 | C | 30 | 161 | 200 | 120 | 23,62 | 71,98 | 309,00 | PHS 24B-2C95 | |
| 96 | | 1 164,46 | C | 30 | 161 | 200 | 120 | 23,62 | 71,98 | 313,43 | PHS 24B-2C96 | |
| 114 | | 1 382,72 | C | 30 | 161 | 200 | 120 | 23,62 | 71,98 | 393,13 | PHS 24B-2C114 | |
| 44,45 | | 11 | 157,77 | B | 25 | 73 | 112 | 120 | 29,36 | 88,90 | 10,21 | PHS 28B-2BH11 |
| | | 12 | 171,74 | B | 25 | 84 | 125 | 120 | 29,36 | 88,90 | 13,02 | PHS 28B-2BH12 |
| | | 13 | 185,75 | B | 25 | 84 | 125 | 120 | 29,36 | 88,90 | 16,00 | PHS 28B-2BH13 |
| | | 14 | 199,76 | B | 25 | 87 | 125 | 120 | 29,36 | 88,90 | 19,28 | PHS 28B-2BH14 |

Maximum bores can accommodate standard keyways. Larger bores are available.
All Type B or C sprockets, up to and including 25 tooth, are with hardened teeth as standard.
For any additional size sprockets with hardened teeth, add "H" before the number of teeth, e.g. PHS 06B-2BH12.

Metric sprockets, duplex, standard

ISO 28B-2 · 44,45 mm pitch | ISO 32B-2 · 50,80 mm pitch

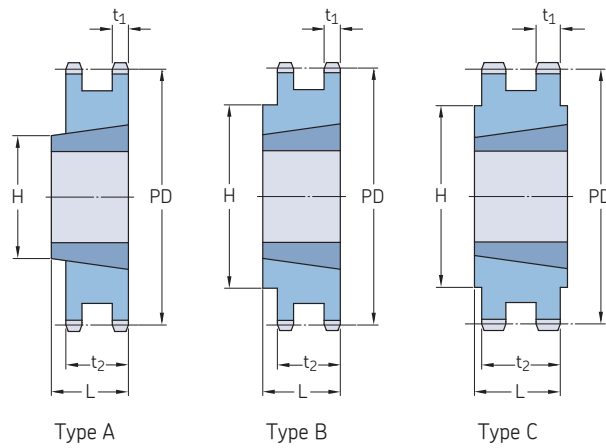


| Pitch | Number of teeth | Pitch diameter PD | Type | Dimensions Bore | | Hub | | Plate thickness | | Mass | Designation | |
|-------|-----------------|----------------------|--------|--------------------|------|-----|-----|-----------------|----------------|--------|---------------|---------------|
| | | | | Min. | Max. | H | L | t ₁ | t ₂ | | | |
| mm | - | mm | - | mm | | | | | | kg | - | |
| 44,45 | 15 | 213,79 | B | 25 | 96 | 145 | 120 | 29,36 | 88,90 | 22,91 | PHS 28B-2BH15 | |
| | 16 | 227,84 | B | 30 | 108 | 160 | 120 | 29,36 | 88,90 | 26,92 | PHS 28B-2BH16 | |
| | 17 | 241,91 | B | 30 | 114 | 160 | 120 | 29,36 | 88,90 | 30,83 | PHS 28B-2BH17 | |
| | 18 | 255,98 | B | 30 | 114 | 160 | 120 | 29,36 | 88,90 | 34,74 | PHS 28B-2BH18 | |
| | 19 | 270,06 | B | 30 | 133 | 180 | 120 | 29,36 | 88,90 | 38,93 | PHS 28B-2BH19 | |
| | 20 | 284,15 | B | 30 | 133 | 180 | 120 | 29,36 | 88,90 | 44,27 | PHS 28B-2BH20 | |
| | 21 | 298,24 | B | 30 | 133 | 180 | 120 | 29,36 | 88,90 | 45,08 | PHS 28B-2BH21 | |
| | 22 | 312,34 | B | 30 | 133 | 180 | 120 | 29,36 | 88,90 | 48,15 | PHS 28B-2BH22 | |
| | 23 | 326,44 | B | 30 | 133 | 180 | 120 | 29,36 | 88,90 | 51,59 | PHS 28B-2BH23 | |
| | 24 | 340,55 | B | 30 | 133 | 180 | 120 | 29,36 | 88,90 | 55,03 | PHS 28B-2BH24 | |
| | 25 | 354,66 | B | 30 | 133 | 180 | 120 | 29,36 | 88,90 | 58,47 | PHS 28B-2BH25 | |
| | 26 | 368,77 | B | 30 | 133 | 180 | 120 | 29,36 | 88,90 | 64,06 | PHS 28B-2B26 | |
| | 28 | 397,00 | B | 30 | 133 | 180 | 120 | 29,36 | 88,90 | 76,05 | PHS 28B-2B28 | |
| | 30 | 425,24 | B | 30 | 133 | 180 | 120 | 29,36 | 88,90 | 89,16 | PHS 28B-2B30 | |
| | 32 | 453,49 | B | 30 | 133 | 180 | 120 | 29,36 | 88,90 | 103,38 | PHS 28B-2B32 | |
| | 38 | 538,27 | B | 30 | 133 | 200 | 120 | 29,36 | 88,90 | 97,53 | PHS 28B-2B38 | |
| | 40 | 566,54 | C | 30 | 137 | 200 | 120 | 29,36 | 88,90 | 109,47 | PHS 28B-2C40 | |
| | 45 | 637,22 | C | 30 | 137 | 200 | 120 | 29,36 | 88,90 | 137,32 | PHS 28B-2C45 | |
| | 48 | 679,63 | C | 30 | 137 | 200 | 120 | 29,36 | 88,90 | 153,61 | PHS 28B-2C48 | |
| | 54 | 764,46 | C | 30 | 162 | 200 | 120 | 29,36 | 88,90 | 204,44 | PHS 28B-2C54 | |
| | 57 | 806,90 | C | 30 | 162 | 200 | 120 | 29,36 | 88,90 | 210,02 | PHS 28B-2C57 | |
| | 60 | 849,32 | C | 30 | 162 | 200 | 130 | 29,36 | 88,90 | 230,82 | PHS 28B-2C60 | |
| | 68 | 962,46 | C | 30 | 162 | 200 | 130 | 29,36 | 88,90 | 273,98 | PHS 28B-2C68 | |
| | 72 | 1 019,05 | C | 30 | 162 | 200 | 130 | 29,36 | 88,90 | 305,70 | PHS 28B-2C72 | |
| | 76 | 1 075,62 | C | 30 | 162 | 200 | 130 | 29,36 | 88,90 | 323,56 | PHS 28B-2C76 | |
| | 50,80 | 11 | 180,34 | B | 30 | 80 | 120 | 120 | 28,83 | 87,38 | 10,42 | PHS 32B-2BH11 |
| | | 12 | 196,29 | B | 30 | 89 | 133 | 120 | 28,83 | 87,38 | 16,32 | PHS 32B-2BH12 |
| | | 13 | 212,29 | B | 30 | 96 | 145 | 120 | 28,83 | 87,38 | 21,77 | PHS 32B-2BH13 |
| | | 14 | 228,29 | B | 30 | 103 | 145 | 120 | 28,83 | 87,38 | 26,31 | PHS 32B-2BH14 |
| | | 15 | 244,30 | B | 30 | 106 | 160 | 120 | 28,83 | 87,38 | 30,84 | PHS 32B-2BH15 |
| | | 16 | 260,40 | B | 30 | 120 | 160 | 120 | 28,83 | 87,38 | 34,02 | PHS 32B-2BH16 |
| | | 17 | 276,40 | B | 30 | 120 | 180 | 120 | 28,83 | 87,38 | 41,28 | PHS 32B-2BH17 |
| 18 | | 292,55 | B | 30 | 120 | 180 | 120 | 28,83 | 87,38 | 43,55 | PHS 32B-2BH18 | |
| 19 | | 308,66 | B | 30 | 120 | 200 | 120 | 28,83 | 87,38 | 48,53 | PHS 32B-2BH19 | |
| 20 | | 324,71 | B | 30 | 130 | 200 | 120 | 28,83 | 87,38 | 53,98 | PHS 32B-2BH20 | |
| 21 | | 340,82 | B | 30 | 130 | 200 | 120 | 28,83 | 87,38 | 58,97 | PHS 32B-2BH21 | |
| 22 | | 356,98 | B | 30 | 130 | 200 | 120 | 28,83 | 87,38 | 63,96 | PHS 32B-2BH22 | |
| 23 | | 373,08 | B | 30 | 130 | 200 | 120 | 28,83 | 87,38 | 71,21 | PHS 32B-2BH23 | |
| 24 | | 389,18 | B | 30 | 130 | 200 | 120 | 28,83 | 87,38 | 77,57 | PHS 32B-2BH24 | |
| 25 | | 405,33 | B | 30 | 130 | 200 | 120 | 28,83 | 87,38 | 84,82 | PHS 32B-2BH25 | |
| 26 | | 421,44 | B | 30 | 130 | 200 | 120 | 28,83 | 87,38 | 91,17 | PHS 32B-2B26 | |
| 28 | | 453,69 | B | 30 | 130 | 200 | 120 | 28,83 | 87,38 | 101,13 | PHS 32B-2B28 | |
| 30 | | 486,00 | B | 30 | 130 | 200 | 120 | 28,83 | 87,38 | 116,57 | PHS 32B-2B30 | |
| 38 | | 615,14 | B | 30 | 178 | 200 | 120 | 28,83 | 87,38 | 170,25 | PHS 32B-2B38 | |
| 40 | | 647,49 | C | 30 | 178 | 200 | 120 | 28,83 | 87,38 | 177,46 | PHS 32B-2C40 | |
| 45 | | 728,26 | C | 30 | 178 | 200 | 120 | 28,83 | 87,38 | 195,50 | PHS 32B-2C45 | |
| 48 | | 776,72 | C | 30 | 178 | 200 | 120 | 28,83 | 87,38 | 204,51 | PHS 32B-2C48 | |
| 54 | | 873,68 | C | 30 | 178 | 220 | 120 | 28,83 | 87,38 | 222,53 | PHS 32B-2C54 | |
| 57 | | 922,16 | C | 30 | 178 | 220 | 120 | 28,83 | 87,38 | 231,54 | PHS 32B-2C57 | |
| 68 | | 1 099,96 | C | 30 | 178 | 220 | 130 | 28,83 | 87,38 | 255,83 | PHS 32B-2C68 | |
| 76 | | 1 229,28 | C | 30 | 178 | 220 | 130 | 28,83 | 87,38 | 292,83 | PHS 32B-2C76 | |

Maximum bores can accommodate standard keyways. Larger bores are available.
 All Type B or C sprockets, up to and including 25 tooth, are with hardened teeth as standard.
 For any additional size sprockets with hardened teeth, add "H" before the number of teeth, e.g. PHS 06B-2BH12.

Metric sprockets, duplex, taper bushed

ISO 06B-2 · 9,525 mm pitch | ISO 08B-2 · 12,70 mm pitch

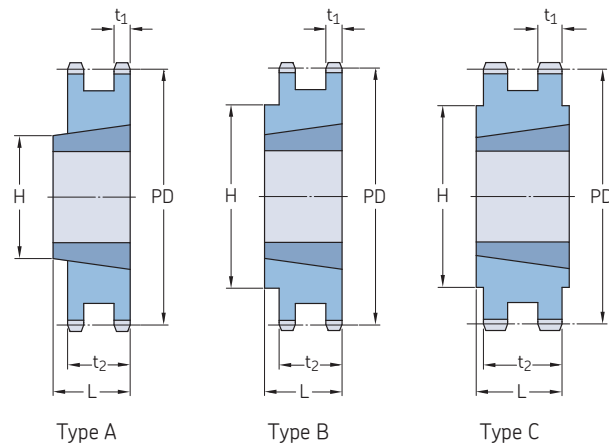


| Pitch | Number of teeth | Pitch diameter PD | Type | Bushing number | Dimensions Bore | | L | H | Plate thickness | | Mass Rim | Bushing | Designation | |
|-------|-----------------|----------------------|-------|----------------|-----------------|------|------|------|-----------------|----------------|----------|---------|----------------|----------------|
| | | | | | Min. | Max. | | | t ₁ | t ₂ | | | | |
| mm | - | mm | - | - | mm | | | | | | kg | - | - | |
| 9,525 | 16 | 48,82 | B | 1008 | 9 | 25,4 | 22,0 | 41 | 5,20 | 15,44 | 0,06 | 0,12 | PHS 06B-2TBH16 | |
| | 17 | 51,83 | B | 1008 | 9 | 25,4 | 22,0 | 41 | 5,20 | 15,44 | 0,12 | 0,09 | PHS 06B-2TBH17 | |
| | 18 | 54,85 | B | 1008 | 9 | 25,4 | 22,0 | 45 | 5,20 | 15,44 | 0,18 | 0,09 | PHS 06B-2TBH18 | |
| | 19 | 57,87 | B | 1008 | 9 | 25,4 | 22,0 | 46 | 5,20 | 15,44 | 0,20 | 0,09 | PHS 06B-2TBH19 | |
| | 20 | 60,89 | B | 1008 | 9 | 25,4 | 22,0 | 48 | 5,20 | 15,44 | 0,24 | 0,09 | PHS 06B-2TBH20 | |
| | 21 | 63,91 | B | 1008 | 9 | 25,4 | 22,0 | 49 | 5,20 | 15,44 | 0,29 | 0,09 | PHS 06B-2TBH21 | |
| | 22 | 66,93 | B | 1108 | 9 | 25,4 | 22,0 | 52 | 5,20 | 15,44 | 0,30 | 0,12 | PHS 06B-2TBH22 | |
| | 23 | 69,95 | B | 1210 | 11 | 31,8 | 25,0 | 59 | 5,20 | 15,44 | 0,26 | 0,21 | PHS 06B-2TBH23 | |
| | 24 | 72,97 | B | 1210 | 11 | 31,8 | 25,0 | 63 | 5,20 | 15,44 | 0,34 | 0,21 | PHS 06B-2TBH24 | |
| | 25 | 76,00 | B | 1210 | 11 | 31,8 | 25,0 | 64 | 5,20 | 15,44 | 0,41 | 0,21 | PHS 06B-2TBH25 | |
| | 26 | 79,02 | B | 1210 | 11 | 31,8 | 25,0 | 65 | 5,20 | 15,44 | 0,45 | 0,21 | PHS 06B-2TB26 | |
| | 27 | 82,05 | B | 1210 | 11 | 31,8 | 25,0 | 70 | 5,20 | 15,44 | 0,50 | 0,21 | PHS 06B-2TB27 | |
| | 28 | 85,07 | B | 1210 | 11 | 31,8 | 25,0 | 70 | 5,20 | 15,44 | 0,54 | 0,21 | PHS 06B-2TB28 | |
| | 29 | 88,09 | B | 1210 | 11 | 31,8 | 25,0 | 70 | 5,20 | 15,44 | 0,51 | 0,21 | PHS 06B-2TB29 | |
| | 30 | 91,12 | B | 1210 | 11 | 31,8 | 25,0 | 75 | 5,20 | 15,44 | 0,61 | 0,21 | PHS 06B-2TB30 | |
| | 32 | 97,17 | B | 1610 | 14 | 41,3 | 25,0 | 80 | 5,20 | 15,44 | 0,75 | 0,31 | PHS 06B-2TB32 | |
| | 35 | 106,26 | B | 1610 | 14 | 41,3 | 25,0 | 80 | 5,20 | 15,44 | 0,95 | 0,31 | PHS 06B-2TB35 | |
| | 38 | 115,35 | B | 1610 | 14 | 41,3 | 25,0 | 80 | 5,20 | 15,44 | 1,16 | 0,31 | PHS 06B-2TB38 | |
| | 40 | 121,40 | B | 1610 | 14 | 41,3 | 25,0 | 80 | 5,20 | 15,44 | 1,30 | 0,31 | PHS 06B-2TB40 | |
| | 45 | 136,55 | B | 1610 | 14 | 41,3 | 25,0 | 80 | 5,20 | 15,44 | 1,64 | 0,31 | PHS 06B-2TB45 | |
| | 48 | 145,64 | B | 1610 | 14 | 41,3 | 25,0 | 80 | 5,20 | 15,44 | 1,85 | 0,31 | PHS 06B-2TB48 | |
| | 54 | 163,82 | B | 1610 | 14 | 41,3 | 25,0 | 80 | 5,20 | 15,44 | 2,26 | 0,31 | PHS 06B-2TB54 | |
| | 57 | 172,91 | B | 1610 | 14 | 41,3 | 25,0 | 80 | 5,20 | 15,44 | 1,75 | 0,31 | PHS 06B-2TB57 | |
| | 60 | 182,00 | B | 1610 | 14 | 41,3 | 25,0 | 80 | 5,20 | 15,44 | 2,67 | 0,31 | PHS 06B-2TB60 | |
| | 70 | 212,30 | B | 1610 | 14 | 41,3 | 25,0 | 80 | 5,20 | 15,44 | 3,36 | 0,31 | PHS 06B-2TB70 | |
| | 76 | 230,49 | B | 1610 | 14 | 41,3 | 25,0 | 80 | 5,20 | 15,44 | 3,19 | 0,31 | PHS 06B-2TB76 | |
| | 95 | 288,08 | B | 1610 | 14 | 41,3 | 25,0 | 90 | 5,20 | 15,44 | 5,08 | 0,31 | PHS 06B-2TB95 | |
| | 114 | 345,68 | B | 1615 | 14 | 50,8 | 38,0 | 95 | 5,20 | 15,44 | 6,39 | 0,59 | PHS 06B-2TB114 | |
| | 12,70 | 15 | 61,09 | A | 1008 | 9 | 25,4 | 22,0 | 46 | 7,24 | 21,13 | 0,23 | 0,09 | PHS 08B-2TBH15 |
| | | 16 | 65,10 | A | 1108 | 9 | 28,0 | 22,0 | 50 | 7,24 | 21,13 | 0,25 | 0,12 | PHS 08B-2TBH16 |
| 17 | | 69,11 | A | 1210 | 11 | 31,8 | 25,0 | 56 | 7,24 | 21,13 | 0,26 | 0,21 | PHS 08B-2TBH17 | |
| 18 | | 73,14 | B | 1210 | 11 | 31,8 | 25,0 | 60 | 7,24 | 21,13 | 0,31 | 0,21 | PHS 08B-2TBH18 | |
| 19 | | 77,16 | B | 1210 | 11 | 31,8 | 25,0 | 62 | 7,24 | 21,13 | 0,43 | 0,21 | PHS 08B-2TBH19 | |
| 20 | | 81,19 | B | 1610 | 14 | 41,3 | 25,0 | 68 | 7,24 | 21,13 | 0,45 | 0,31 | PHS 08B-2TBH20 | |
| 21 | | 85,22 | B | 1610 | 14 | 41,3 | 25,0 | 70 | 7,24 | 21,13 | 0,48 | 0,31 | PHS 08B-2TBH21 | |
| 22 | | 89,24 | B | 1610 | 14 | 41,3 | 25,0 | 76 | 7,24 | 21,13 | 0,54 | 0,31 | PHS 08B-2TBH22 | |
| 23 | | 93,27 | B | 1610 | 14 | 41,3 | 25,0 | 79 | 7,24 | 21,13 | 0,66 | 0,31 | PHS 08B-2TBH23 | |
| 24 | | 97,29 | B | 1610 | 14 | 50,8 | 32,0 | 84 | 7,24 | 21,13 | 0,60 | 0,59 | PHS 08B-2TBH24 | |
| 25 | | 101,33 | B | 2012 | 14 | 50,8 | 32,0 | 87 | 7,24 | 21,13 | 0,74 | 0,59 | PHS 08B-2TBH25 | |
| 26 | | 105,36 | B | 2012 | 14 | 50,8 | 32,0 | 87 | 7,24 | 21,13 | 0,81 | 0,59 | PHS 08B-2TB26 | |
| 27 | | 109,40 | B | 2012 | 14 | 50,8 | 32,0 | 87 | 7,24 | 21,13 | 0,92 | 0,59 | PHS 08B-2TB27 | |
| 28 | | 113,42 | B | 2012 | 14 | 50,8 | 32,0 | 87 | 7,24 | 21,13 | 1,03 | 0,59 | PHS 08B-2TB28 | |
| 29 | | 117,46 | B | 2012 | 14 | 50,8 | 32,0 | 87 | 7,24 | 21,13 | 1,16 | 0,59 | PHS 08B-2TB29 | |
| 30 | | 121,50 | B | 2012 | 14 | 50,8 | 32,0 | 87 | 7,24 | 21,13 | 1,25 | 0,59 | PHS 08B-2TB30 | |
| 35 | | 141,68 | B | 2012 | 14 | 50,8 | 32,0 | 100 | 7,24 | 21,13 | 1,65 | 0,59 | PHS 08B-2TB35 | |
| 36 | | 145,72 | B | 2012 | 14 | 50,8 | 32,0 | 100 | 7,24 | 21,13 | 2,05 | 0,59 | PHS 08B-2TB36 | |
| 38 | | 153,80 | B | 2012 | 14 | 50,8 | 32,0 | 100 | 7,24 | 21,13 | 2,53 | 0,59 | PHS 08B-2TB38 | |
| 42 | | 169,94 | C | 2517 | 16 | 63,5 | 32,0 | 100 | 7,24 | 21,13 | 3,13 | 1,30 | PHS 08B-2TB42 | |
| 45 | | 182,07 | C | 2012 | 14 | 50,8 | 32,0 | 100 | 7,24 | 21,13 | 3,73 | 0,59 | PHS 08B-2TB45 | |
| 48 | | 194,18 | C | 2517 | 16 | 63,5 | 32,0 | 100 | 7,24 | 21,13 | 3,84 | 1,30 | PHS 08B-2TB48 | |
| 54 | | 218,42 | C | 2517 | 16 | 63,5 | 32,0 | 100 | 7,24 | 21,13 | 3,95 | 1,30 | PHS 08B-2TB54 | |
| 57 | | 230,53 | C | 2012 | 14 | 50,8 | 32,0 | 100 | 7,24 | 21,13 | 4,07 | 0,59 | PHS 08B-2TB57 | |
| 60 | | 242,66 | C | 2517 | 16 | 63,5 | 32,0 | 100 | 7,24 | 21,13 | 4,20 | 1,30 | PHS 08B-2TB60 | |

All Type B or C sprockets, up to and including 25 tooth, are with hardened teeth as standard.
For any additional size sprockets with hardened teeth, add "H" before the number of teeth, e.g. PHS 06B-2TBH16.

Metric sprockets, duplex, taper bushed

ISO 08B-2 · 12,70 mm pitch | ISO 10B-2 · 15,88 mm pitch | ISO 12B-2 · 19,05 mm pitch



| Pitch | Number of teeth | Pitch diameter PD | Type | Bushing number | Dimensions Bore | | L | H | Plate thickness | | Mass Rim | Bushing | Designation | |
|-------|-----------------|----------------------|-------|----------------|-----------------|------|------|------|-----------------|----------------|----------|---------|----------------|----------------|
| | | | | | Min. | Max. | | | t ₁ | t ₂ | | | | |
| mm | - | mm | - | - | mm | | | | | | kg | - | - | |
| 12,70 | 68 | 274,99 | C | 2517 | 16 | 63,5 | 32,0 | 100 | 7,24 | 21,13 | 4,33 | 1,30 | PHS 08B-2TB68 | |
| | 70 | 283,07 | C | 2517 | 16 | 63,5 | 32,0 | 100 | 7,24 | 21,13 | 4,46 | 1,30 | PHS 08B-2TB70 | |
| | 72 | 291,15 | C | 2517 | 16 | 63,5 | 32,0 | 100 | 7,24 | 21,13 | 4,59 | 1,30 | PHS 08B-2TB72 | |
| | 76 | 307,31 | C | 2012 | 14 | 50,8 | 32,0 | 100 | 7,24 | 21,13 | 4,72 | 0,59 | PHS 08B-2TB76 | |
| | 84 | 339,65 | C | 2517 | 16 | 63,5 | 32,0 | 100 | 7,24 | 21,13 | 6,45 | 1,30 | PHS 08B-2TB84 | |
| | 95 | 384,10 | C | 2012 | 14 | 50,8 | 32,0 | 100 | 7,24 | 21,13 | 8,18 | 0,59 | PHS 08B-2TB95 | |
| | 96 | 388,15 | C | 2517 | 16 | 63,5 | 32,0 | 110 | 7,24 | 21,13 | 9,00 | 1,30 | PHS 08B-2TB96 | |
| | 114 | 460,90 | C | 2517 | 16 | 63,5 | 45,0 | 110 | 7,24 | 21,13 | 10,50 | 1,30 | PHS 08B-2TB114 | |
| | 15,88 | 14 | 71,34 | A | 1008 | 9 | 25,4 | 25,5 | - | 8,97 | 25,22 | 0,43 | 0,09 | PHS 10B-2TBH14 |
| | | 15 | 76,36 | A | 1210 | 11 | 31,8 | 25,5 | - | 8,97 | 25,22 | 0,39 | 0,21 | PHS 10B-2TBH15 |
| 16 | | 81,37 | A | 1610 | 14 | 41,3 | 25,5 | - | 8,97 | 25,22 | 0,35 | 0,31 | PHS 10B-2TBH16 | |
| 17 | | 86,39 | A | 1610 | 14 | 41,3 | 25,5 | - | 8,97 | 25,22 | 0,46 | 0,31 | PHS 10B-2TBH17 | |
| 18 | | 91,42 | A | 1610 | 14 | 41,3 | 25,5 | - | 8,97 | 25,22 | 0,62 | 0,31 | PHS 10B-2TBH18 | |
| 19 | | 96,45 | A | 1610 | 14 | 41,3 | 25,5 | - | 8,97 | 25,22 | 0,75 | 0,31 | PHS 10B-2TBH19 | |
| 20 | | 101,49 | B | 1610 | 14 | 41,3 | 25,5 | - | 8,97 | 25,55 | 0,87 | 0,31 | PHS 10B-2TBH20 | |
| 21 | | 106,52 | B | 1610 | 14 | 41,3 | 25,5 | - | 8,97 | 25,55 | 1,05 | 0,31 | PHS 10B-2TBH21 | |
| 22 | | 111,55 | B | 1610 | 14 | 41,3 | 25,5 | - | 8,97 | 25,55 | 1,20 | 0,31 | PHS 10B-2TBH22 | |
| 23 | | 116,58 | B | 1610 | 14 | 41,3 | 25,5 | - | 8,97 | 25,55 | 1,38 | 0,31 | PHS 10B-2TBH23 | |
| 24 | | 121,62 | B | 2012 | 14 | 50,8 | 32,0 | 90 | 8,97 | 25,55 | 1,43 | 0,59 | PHS 10B-2TBH24 | |
| 25 | | 126,66 | B | 2012 | 14 | 50,8 | 32,0 | 90 | 8,97 | 25,55 | 1,62 | 0,59 | PHS 10B-2TBH25 | |
| 26 | | 131,70 | B | 2012 | 14 | 50,8 | 32,0 | 90 | 8,97 | 25,55 | 1,79 | 0,59 | PHS 10B-2TB26 | |
| 27 | | 136,75 | B | 2012 | 14 | 50,8 | 32,0 | 90 | 8,97 | 25,55 | 2,00 | 0,59 | PHS 10B-2TB27 | |
| 28 | | 141,78 | B | 2012 | 14 | 50,8 | 32,0 | 90 | 8,97 | 25,55 | 2,20 | 0,59 | PHS 10B-2TB28 | |
| 29 | | 146,83 | B | 2012 | 14 | 50,8 | 32,0 | 90 | 8,97 | 25,55 | 2,43 | 0,59 | PHS 10B-2TB29 | |
| 30 | | 151,87 | B | 2012 | 14 | 50,8 | 32,0 | 90 | 8,97 | 25,55 | 2,66 | 0,59 | PHS 10B-2TB30 | |
| 36 | | 182,15 | C | 2517 | 16 | 63,5 | 45,0 | 110 | 8,97 | 25,55 | 4,33 | 1,30 | PHS 10B-2TB36 | |
| 38 | | 192,24 | C | 2517 | 14 | 50,8 | 45,0 | 110 | 8,97 | 25,55 | 4,88 | 0,59 | PHS 10B-2TB38 | |
| 42 | | 212,44 | C | 2517 | 16 | 63,5 | 45,0 | 110 | 8,97 | 25,55 | 5,99 | 1,30 | PHS 10B-2TB42 | |
| 45 | | 227,58 | C | 2517 | 16 | 63,5 | 45,0 | 110 | 8,97 | 25,55 | 6,83 | 1,30 | PHS 10B-2TB45 | |
| 48 | | 242,73 | C | 2517 | 16 | 63,5 | 45,0 | 110 | 8,97 | 25,55 | 7,66 | 1,30 | PHS 10B-2TB48 | |
| 57 | | 288,18 | C | 2517 | 16 | 63,5 | 45,0 | 110 | 8,97 | 25,55 | 10,15 | 1,30 | PHS 10B-2TB57 | |
| 60 | | 303,32 | C | 2517 | 16 | 63,5 | 45,0 | 110 | 8,97 | 25,55 | 10,99 | 1,30 | PHS 10B-2TB60 | |
| 68 | | 343,74 | C | 2517 | 16 | 63,5 | 45,0 | 110 | 8,97 | 25,55 | 13,21 | 1,30 | PHS 10B-2TB68 | |
| 76 | | 384,16 | C | 2517 | 16 | 63,5 | 45,0 | 110 | 8,97 | 25,55 | 15,43 | 1,30 | PHS 10B-2TB76 | |
| 84 | | 424,57 | C | 2517 | 16 | 63,5 | 45,0 | 110 | 8,97 | 25,55 | 17,65 | 1,30 | PHS 10B-2TB84 | |
| 95 | | 480,14 | C | 2517 | 16 | 63,5 | 45,0 | 110 | 8,97 | 25,55 | 20,70 | 1,30 | PHS 10B-2TB95 | |
| 114 | | 576,13 | C | 2517 | 16 | 63,5 | 45,0 | 110 | 8,97 | 25,55 | 25,97 | 1,30 | PHS 10B-2TB114 | |
| 19,05 | | 12 | 73,61 | A | 1215 | 11 | 31,8 | 30,3 | - | 10,87 | 30,33 | 0,19 | 0,30 | PHS 12B-2TBH12 |
| | 13 | 79,59 | A | 1215 | 14 | 41,3 | 30,3 | - | 10,87 | 30,33 | 0,36 | 0,30 | PHS 12B-2TBH13 | |
| | 14 | 85,61 | A | 1215 | 14 | 41,3 | 30,3 | - | 10,87 | 30,33 | 0,53 | 0,30 | PHS 12B-2TBH14 | |
| | 15 | 91,63 | A | 1610 | 14 | 41,3 | 30,3 | - | 10,87 | 30,33 | 0,70 | 0,31 | PHS 12B-2TBH15 | |
| | 16 | 97,65 | A | 1610 | 14 | 41,3 | 30,3 | - | 10,87 | 30,33 | 0,87 | 0,31 | PHS 12B-2TBH16 | |
| | 17 | 103,67 | A | 1610 | 14 | 41,3 | 30,3 | - | 10,87 | 30,33 | 1,10 | 0,31 | PHS 12B-2TBH17 | |
| | 18 | 109,71 | B | 2012 | 14 | 50,8 | 31,8 | 90 | 10,87 | 30,33 | 1,05 | 0,59 | PHS 12B-2TBH18 | |
| | 19 | 115,75 | B | 2012 | 14 | 50,8 | 32,0 | 90 | 10,87 | 30,33 | 1,29 | 0,59 | PHS 12B-2TBH19 | |
| | 20 | 121,78 | B | 2517 | 16 | 63,5 | 45,0 | 102 | 10,87 | 30,33 | 1,34 | 1,30 | PHS 12B-2TBH20 | |
| | 21 | 127,82 | B | 2517 | 16 | 63,5 | 45,0 | 108 | 10,87 | 30,33 | 1,71 | 1,30 | PHS 12B-2TBH21 | |
| | 22 | 133,86 | B | 2517 | 16 | 63,5 | 45,0 | 108 | 10,87 | 30,33 | 2,03 | 1,30 | PHS 12B-2TBH22 | |
| | 23 | 139,90 | B | 2517 | 16 | 63,5 | 45,0 | 108 | 10,87 | 30,33 | 2,51 | 1,30 | PHS 12B-2TBH23 | |
| | 24 | 145,94 | B | 2517 | 16 | 63,5 | 45,0 | 108 | 10,87 | 30,33 | 2,58 | 1,30 | PHS 12B-2TBH24 | |
| | 25 | 152,00 | B | 2517 | 16 | 63,5 | 45,0 | 108 | 10,87 | 30,33 | 3,38 | 1,30 | PHS 12B-2TBH25 | |
| | 26 | 158,04 | B | 2517 | 16 | 63,5 | 45,0 | 108 | 10,87 | 30,33 | 3,24 | 1,30 | PHS 12B-2TB26 | |
| | 27 | 164,09 | B | 2517 | 16 | 63,5 | 45,0 | 108 | 10,87 | 30,33 | 4,00 | 1,30 | PHS 12B-2TB27 | |

All Type B or C sprockets, up to and including 25 tooth, are with hardened teeth as standard.
For any additional size sprockets with hardened teeth, add "H" before the number of teeth, e.g. PHS 06B-2TBH16.

Metric sprockets, duplex, taper bushed

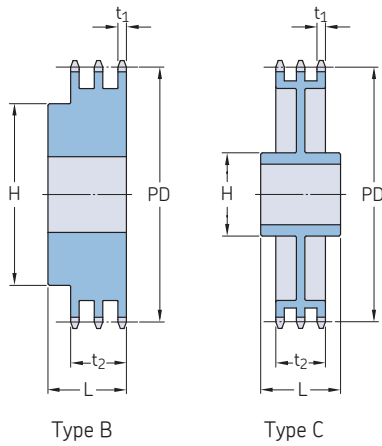
ISO 12B-2 · 19,05 mm pitch | ISO 16B-2 · 25,40 mm pitch

| Pitch | Number of teeth | Pitch diameter | Type | Bushing number | Dimensions | | | | Plate thickness | | Mass Rim | Bushing | Designation |
|-------|-----------------|----------------|------|----------------|------------|-------|------|-------|-----------------|----------------|----------|----------------|----------------|
| | | | | | Bore | | L | H | t ₁ | t ₂ | | | |
| | | | | | Min. | Max. | | | | | | | |
| mm | – | mm | – | – | mm | mm | mm | mm | mm | kg | – | – | |
| 19,05 | 28 | 170,13 | B | 2517 | 16 | 63,5 | 45,0 | 108 | 10,87 | 30,33 | 3,92 | 1,30 | PHS 12B-2TB28 |
| | 30 | 182,25 | B | 2517 | 16 | 63,5 | 45,0 | 108 | 10,87 | 30,33 | 5,14 | 1,30 | PHS 12B-2TB30 |
| | 32 | 194,36 | B | 2517 | 16 | 63,5 | 44,5 | 130 | 10,87 | 30,33 | 5,92 | 1,30 | PHS 12B-2TB32 |
| | 35 | 212,52 | B | 2517 | 16 | 63,5 | 44,5 | 130 | 10,87 | 30,33 | 7,08 | 1,30 | PHS 12B-2TB35 |
| | 38 | 230,69 | B | 3020 | 25 | 76,2 | 51,0 | 140 | 10,87 | 30,33 | 6,95 | 2,24 | PHS 12B-2TB38 |
| | 40 | 242,81 | C | 3020 | 25 | 76,2 | 51,0 | 140 | 10,87 | 30,33 | 9,03 | 2,24 | PHS 12B-2TB40 |
| | 42 | 254,93 | C | 3020 | 25 | 76,2 | 51,0 | 140 | 10,87 | 30,33 | 9,81 | 2,24 | PHS 12B-2TB42 |
| | 45 | 273,10 | C | 3020 | 25 | 76,2 | 51,0 | 140 | 10,87 | 30,33 | 9,33 | 2,24 | PHS 12B-2TB45 |
| | 54 | 327,64 | C | 3020 | 25 | 76,2 | 51,0 | 140 | 10,87 | 30,33 | 14,47 | 2,24 | PHS 12B-2TB54 |
| | 57 | 345,81 | C | 3020 | 25 | 76,2 | 51,0 | 140 | 10,87 | 30,33 | 10,50 | 2,24 | PHS 12B-2TB57 |
| | 60 | 363,99 | C | 3020 | 25 | 76,2 | 51,0 | 140 | 10,87 | 30,33 | 16,80 | 2,24 | PHS 12B-2TB60 |
| | 65 | 394,29 | C | 3020 | 25 | 76,2 | 51,0 | 140 | 10,87 | 30,33 | 18,75 | 2,24 | PHS 12B-2TB65 |
| | 70 | 424,60 | C | 3020 | 25 | 76,2 | 51,0 | 140 | 10,87 | 30,33 | 20,69 | 2,24 | PHS 12B-2TB70 |
| | 76 | 460,99 | C | 3020 | 25 | 76,2 | 51,0 | 140 | 10,87 | 30,33 | 17,06 | 2,24 | PHS 12B-2TB76 |
| 84 | 509,48 | C | 3020 | 25 | 76,2 | 51,0 | 140 | 10,87 | 30,33 | 26,13 | 2,24 | PHS 12B-2TB84 | |
| 95 | 576,17 | C | 3020 | 25 | 76,2 | 51,0 | 140 | 10,87 | 30,33 | 28,50 | 2,24 | PHS 12B-2TB95 | |
| 114 | 691,36 | C | 3020 | 25 | 76,2 | 76,0 | 140 | 10,87 | 30,33 | 37,80 | 2,24 | PHS 12B-2TB114 | |
| 25,40 | 13 | 106,12 | A | 1615 | 14 | 42,0 | 47,7 | – | 15,83 | 47,71 | 0,51 | 0,59 | PHS 16B-2TBH13 |
| | 14 | 114,15 | A | 2012 | 14 | 50,8 | 47,7 | – | 15,83 | 47,71 | 1,01 | 0,59 | PHS 16B-2TBH14 |
| | 15 | 122,17 | A | 2012 | 14 | 50,8 | 47,7 | – | 15,83 | 47,71 | 2,12 | 0,59 | PHS 16B-2TBH15 |
| | 16 | 130,20 | A | 2517 | 16 | 63,5 | 47,7 | – | 15,83 | 47,71 | 2,01 | 1,30 | PHS 16B-2TBH16 |
| | 17 | 138,22 | A | 2517 | 16 | 63,5 | 47,7 | – | 15,83 | 47,71 | 2,51 | 1,30 | PHS 16B-2TBH17 |
| | 18 | 146,28 | A | 2517 | 16 | 63,5 | 47,7 | – | 15,83 | 47,71 | 3,13 | 1,30 | PHS 16B-2TBH18 |
| | 19 | 154,33 | A | 2517 | 16 | 63,5 | 47,7 | – | 15,83 | 47,71 | 3,76 | 1,30 | PHS 16B-2TBH19 |
| | 20 | 162,38 | B | 2517 | 16 | 63,5 | 47,7 | 140 | 15,83 | 47,71 | 4,43 | 1,30 | PHS 16B-2TBH20 |
| | 21 | 170,43 | B | 3020 | 25 | 76,2 | 51,0 | 140 | 15,83 | 47,71 | 4,13 | 2,24 | PHS 16B-2TBH21 |
| | 22 | 178,48 | B | 3020 | 25 | 76,2 | 51,0 | 140 | 15,83 | 47,71 | 4,95 | 2,24 | PHS 16B-2TBH22 |
| | 23 | 186,53 | B | 3020 | 25 | 76,2 | 51,0 | 140 | 15,83 | 47,71 | 5,80 | 2,24 | PHS 16B-2TBH23 |
| | 24 | 194,59 | B | 3020 | 25 | 76,2 | 51,0 | 140 | 15,83 | 47,71 | 6,68 | 2,24 | PHS 16B-2TBH24 |
| | 25 | 202,66 | B | 3020 | 25 | 76,2 | 51,0 | 140 | 15,83 | 47,71 | 7,65 | 2,24 | PHS 16B-2TBH25 |
| | 26 | 210,72 | B | 3020 | 25 | 76,2 | 51,0 | 140 | 15,83 | 47,71 | 8,50 | 2,24 | PHS 16B-2TB26 |
| | 27 | 218,79 | B | 3020 | 25 | 76,2 | 51,0 | 140 | 15,83 | 47,71 | 9,47 | 2,24 | PHS 16B-2TB27 |
| | 28 | 226,85 | B | 3020 | 25 | 76,2 | 51,0 | 140 | 15,83 | 47,71 | 10,46 | 2,24 | PHS 16B-2TB28 |
| | 29 | 234,92 | B | 3020 | 25 | 76,2 | 51,0 | 140 | 15,83 | 47,71 | 11,48 | 2,24 | PHS 16B-2TB29 |
| | 30 | 243,00 | B | 3020 | 25 | 76,2 | 51,0 | 140 | 15,83 | 47,71 | 12,50 | 3,04 | PHS 16B-2TB30 |
| | 35 | 283,36 | C | 3030 | 35 | 76,2 | 76,0 | 140 | 15,83 | 47,71 | 16,36 | 3,04 | PHS 16B-2TB35 |
| | 38 | 307,59 | C | 3030 | 25 | 63,5 | 51,0 | 140 | 15,83 | 47,71 | 13,48 | 3,04 | PHS 16B-2TB38 |
| | 42 | 339,90 | C | 3030 | 35 | 76,2 | 76,0 | 140 | 15,83 | 47,71 | 22,52 | 2,24 | PHS 16B-2TB42 |
| | 45 | 364,13 | C | 3030 | 35 | 76,2 | 76,0 | 140 | 15,83 | 47,71 | 18,30 | 3,04 | PHS 16B-2TB45 |
| | 57 | 461,07 | C | 3525 | 35 | 100,0 | 63,5 | 175 | 15,83 | 47,71 | 27,00 | 3,56 | PHS 16B-2TB57 |
| | 76 | 614,65 | C | 3525 | 35 | 100,0 | 63,5 | 175 | 15,83 | 47,71 | 43,50 | 3,56 | PHS 16B-2TB76 |
| 95 | 768,22 | C | 4040 | 40 | 101,6 | 102,0 | 215 | 15,83 | 47,71 | 67,00 | 5,54 | PHS 16B-2TB95 | |
| 114 | 921,81 | C | 4040 | 40 | 101,6 | 102,0 | 215 | 15,83 | 47,71 | 85,88 | 5,54 | PHS 16B-2TB114 | |

All Type B or C sprockets, up to and including 25 tooth, are with hardened teeth as standard.
For any additional size sprockets with hardened teeth, add "H" before the number of teeth, e.g. PHS 06B-2TBH16.

Metric sprockets, triplex, standard

ISO 06B-3 · 9,525 mm pitch | ISO 08B-3 · 12,70 mm pitch



| Pitch | Number of teeth | Pitch diameter PD | Type | Dimensions Bore | | Hub | | Plate thickness | | Mass | Designation |
|-------|-----------------|----------------------|------|--------------------|------|-----|------|-----------------|----------------|----------------|---------------|
| | | | | Min. | Max. | H | L | t ₁ | t ₂ | | |
| mm | - | mm | - | mm | | | | | | kg | - |
| 9,525 | 12 | 36,80 | B | 10 | 16 | 25 | 35 | 5,20 | 25,70 | 0,23 | PHS 06B-3BH12 |
| | 13 | 39,79 | B | 10 | 18 | 28 | 35 | 5,20 | 25,70 | 0,27 | PHS 06B-3BH13 |
| | 14 | 42,80 | B | 12 | 18 | 31 | 35 | 5,20 | 25,70 | 0,32 | PHS 06B-3BH14 |
| | 15 | 45,81 | B | 12 | 20 | 34 | 35 | 5,20 | 25,70 | 0,36 | PHS 06B-3BH15 |
| | 16 | 48,82 | B | 12 | 20 | 37 | 35 | 5,20 | 25,70 | 0,45 | PHS 06B-3BH16 |
| | 17 | 51,83 | B | 12 | 24 | 40 | 35 | 5,20 | 25,70 | 0,54 | PHS 06B-3BH17 |
| | 18 | 54,85 | B | 12 | 25 | 43 | 35 | 5,20 | 25,70 | 0,64 | PHS 06B-3BH18 |
| | 19 | 57,87 | B | 12 | 28 | 46 | 35 | 5,20 | 25,70 | 0,72 | PHS 06B-3BH19 |
| | 20 | 60,89 | B | 12 | 30 | 49 | 35 | 5,20 | 25,70 | 0,77 | PHS 06B-3BH20 |
| | 21 | 63,91 | B | 14 | 30 | 52 | 40 | 5,20 | 25,70 | 0,86 | PHS 06B-3BH21 |
| | 22 | 66,93 | B | 14 | 35 | 55 | 40 | 5,20 | 25,70 | 0,95 | PHS 06B-3BH22 |
| | 23 | 69,95 | B | 14 | 38 | 58 | 40 | 5,20 | 25,70 | 1,04 | PHS 06B-3BH23 |
| | 24 | 72,97 | B | 14 | 39 | 61 | 40 | 5,20 | 25,70 | 1,18 | PHS 06B-3BH24 |
| | 25 | 76,02 | B | 14 | 40 | 64 | 40 | 5,20 | 25,70 | 1,27 | PHS 06B-3BH25 |
| | 26 | 79,02 | B | 14 | 42 | 67 | 40 | 5,20 | 25,70 | 1,31 | PHS 06B-3BH26 |
| | 27 | 82,02 | B | 14 | 45 | 70 | 40 | 5,20 | 25,70 | 1,36 | PHS 06B-3BH27 |
| | 28 | 85,07 | B | 14 | 48 | 73 | 40 | 5,20 | 25,70 | 1,50 | PHS 06B-3BH28 |
| | 29 | 88,09 | B | 14 | 50 | 76 | 40 | 5,20 | 25,70 | 1,68 | PHS 06B-3BH29 |
| | 30 | 91,12 | B | 14 | 52 | 79 | 40 | 5,20 | 25,70 | 1,72 | PHS 06B-3BH30 |
| | 32 | 97,17 | B | 16 | 52 | 80 | 40 | 5,20 | 25,70 | 2,00 | PHS 06B-3BH32 |
| | 35 | 106,26 | B | 16 | 52 | 85 | 40 | 5,20 | 25,70 | 2,25 | PHS 06B-3BH35 |
| | 36 | 109,29 | B | 16 | 60 | 90 | 40 | 5,20 | 25,70 | 2,33 | PHS 06B-3BH36 |
| | 38 | 115,35 | B | 16 | 60 | 90 | 40 | 5,20 | 25,70 | 2,49 | PHS 06B-3BH38 |
| | 40 | 121,40 | B | 16 | 60 | 90 | 40 | 5,20 | 25,70 | 2,65 | PHS 06B-3BH40 |
| | 42 | 127,46 | B | 16 | 60 | 90 | 56 | 5,20 | 25,70 | 2,81 | PHS 06B-3BH42 |
| | 45 | 136,55 | B | 16 | 60 | 90 | 56 | 5,20 | 25,70 | 3,00 | PHS 06B-3BH45 |
| | 48 | 145,64 | B | 16 | 60 | 90 | 56 | 5,20 | 25,70 | 3,20 | PHS 06B-3BH48 |
| | 52 | 157,75 | B | 16 | 60 | 90 | 56 | 5,20 | 25,70 | 3,46 | PHS 06B-3BH52 |
| | 57 | 172,91 | B | 16 | 60 | 90 | 56 | 5,20 | 25,70 | 4,77 | PHS 06B-3BH57 |
| | 60 | 181,99 | B | 16 | 60 | 90 | 56 | 5,20 | 25,70 | 5,02 | PHS 06B-3BH60 |
| | 68 | 206,24 | B | 16 | 60 | 90 | 56 | 5,20 | 25,70 | 5,69 | PHS 06B-3BH68 |
| | 70 | 212,30 | B | 16 | 60 | 90 | 56 | 5,20 | 25,70 | 5,86 | PHS 06B-3BH70 |
| 72 | 218,37 | B | 16 | 60 | 90 | 56 | 5,20 | 25,70 | 6,02 | PHS 06B-3BH72 | |
| 76 | 230,49 | B | 16 | 64 | 90 | 56 | 5,20 | 25,70 | 8,48 | PHS 06B-3BH76 | |
| 84 | 254,74 | B | 16 | 64 | 90 | 56 | 5,20 | 25,70 | 9,37 | PHS 06B-3BH84 | |
| 95 | 288,08 | B | 16 | 64 | 90 | 56 | 5,20 | 25,70 | 13,61 | PHS 06B-3BH95 | |
| 96 | 291,11 | B | 16 | 64 | 90 | 56 | 5,20 | 25,70 | 13,75 | PHS 06B-3BH96 | |
| 114 | 345,69 | B | 16 | 64 | 90 | 56 | 5,20 | 25,70 | 17,48 | PHS 06B-3BH114 | |
| 12,70 | 11 | 45,07 | B | 14 | 22 | 32 | 50 | 7,24 | 35,05 | 0,32 | PHS 08B-3BH11 |
| | 12 | 49,07 | B | 14 | 24 | 35 | 50 | 7,24 | 35,05 | 0,45 | PHS 08B-3BH12 |
| | 13 | 53,06 | B | 14 | 25 | 38 | 50 | 7,24 | 35,05 | 0,59 | PHS 08B-3BH13 |
| | 14 | 57,07 | B | 14 | 28 | 42 | 50 | 7,24 | 35,05 | 0,72 | PHS 08B-3BH14 |
| | 15 | 61,09 | B | 14 | 31 | 46 | 50 | 7,24 | 35,05 | 0,81 | PHS 08B-3BH15 |
| | 16 | 65,10 | B | 16 | 35 | 50 | 50 | 7,24 | 35,05 | 0,90 | PHS 08B-3BH16 |
| | 17 | 69,11 | B | 16 | 36 | 54 | 50 | 7,24 | 35,05 | 1,04 | PHS 08B-3BH17 |
| | 18 | 73,14 | B | 16 | 38 | 58 | 50 | 7,24 | 35,05 | 1,22 | PHS 08B-3BH18 |
| | 19 | 77,16 | B | 16 | 40 | 62 | 50 | 7,24 | 35,05 | 1,41 | PHS 08B-3BH19 |
| | 20 | 81,19 | B | 16 | 40 | 66 | 50 | 7,24 | 35,05 | 1,58 | PHS 08B-3BH20 |
| | 21 | 85,22 | B | 16 | 45 | 70 | 55 | 7,24 | 35,05 | 1,81 | PHS 08B-3BH21 |
| | 22 | 89,24 | B | 16 | 45 | 70 | 55 | 7,24 | 35,05 | 2,03 | PHS 08B-3BH22 |
| | 23 | 93,27 | B | 16 | 45 | 70 | 55 | 7,24 | 35,05 | 2,27 | PHS 08B-3BH23 |
| | 24 | 97,29 | B | 16 | 50 | 75 | 55 | 7,24 | 35,05 | 2,44 | PHS 08B-3BH24 |
| | 25 | 101,33 | B | 16 | 52 | 80 | 55 | 7,24 | 35,05 | 2,54 | PHS 08B-3BH25 |

Maximum bores can accommodate standard keyways. Larger bores are available where a shallow keyway is used or no keyway is required. All Type B or C sprockets, up to and including 25 tooth, are with hardened teeth as standard. For any additional size sprockets with hardened teeth, add "H" before the number of teeth, e.g. PHS 06B-3BH12.

Metric sprockets, triplex, standard

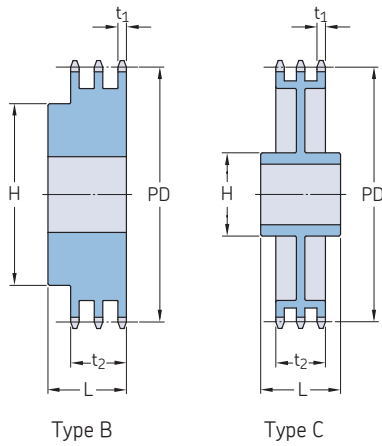
ISO 08B-3 · 12,70 mm pitch | ISO 10B-3 · 15,88 mm pitch | ISO 12B-3 · 19,05 mm pitch

| Pitch | Number of teeth | Pitch diameter | Type | Dimensions | | Hub | | Plate thickness | | Mass | Designation | |
|-------|-----------------|----------------|--------|------------|------|-----|----|-----------------|----------------|-------|---------------|---------------|
| | | | | Bore | | H | L | t ₁ | t ₂ | | | |
| | | | | Min. | Max. | | | | | | | |
| mm | - | mm | - | mm | | mm | mm | mm | mm | kg | - | |
| 12,70 | 26 | 105,36 | B | 20 | 56 | 85 | 55 | 7,24 | 35,05 | 2,85 | PHS 08B-3B26 | |
| | 27 | 109,40 | B | 20 | 56 | 85 | 55 | 7,24 | 35,05 | 2,85 | PHS 08B-3B27 | |
| | 28 | 113,42 | B | 20 | 60 | 90 | 55 | 7,24 | 35,05 | 3,16 | PHS 08B-3B28 | |
| | 29 | 117,46 | B | 20 | 62 | 95 | 55 | 7,24 | 35,05 | 3,34 | PHS 08B-3B29 | |
| | 30 | 121,50 | B | 20 | 64 | 100 | 55 | 7,24 | 35,05 | 3,48 | PHS 08B-3B30 | |
| | 35 | 141,68 | B | 20 | 73 | 110 | 55 | 7,24 | 35,05 | 4,79 | PHS 08B-3B35 | |
| | 36 | 145,72 | B | 25 | 80 | 120 | 55 | 7,24 | 35,05 | 5,43 | PHS 08B-3B36 | |
| | 38 | 153,80 | B | 25 | 80 | 120 | 55 | 7,24 | 35,05 | 6,49 | PHS 08B-3B38 | |
| | 42 | 169,95 | B | 25 | 80 | 120 | 60 | 7,24 | 35,05 | 7,17 | PHS 08B-3B42 | |
| | 45 | 182,07 | B | 25 | 80 | 120 | 60 | 7,24 | 35,05 | 7,69 | PHS 08B-3B45 | |
| | 48 | 194,18 | B | 25 | 80 | 120 | 60 | 7,24 | 35,05 | 8,20 | PHS 08B-3B48 | |
| | 52 | 210,34 | B | 25 | 80 | 120 | 60 | 7,24 | 35,05 | 8,88 | PHS 08B-3B52 | |
| | 54 | 218,43 | B | 25 | 80 | 120 | 60 | 7,24 | 35,05 | 9,22 | PHS 08B-3B54 | |
| | 57 | 230,54 | B | 25 | 80 | 120 | 60 | 7,24 | 35,05 | 12,62 | PHS 08B-3B57 | |
| | 60 | 242,66 | B | 25 | 85 | 120 | 60 | 7,24 | 35,05 | 13,84 | PHS 08B-3B60 | |
| | 68 | 274,99 | B | 25 | 85 | 120 | 60 | 7,24 | 35,05 | 15,69 | PHS 08B-3B68 | |
| | 72 | 291,16 | B | 25 | 85 | 120 | 60 | 7,24 | 35,05 | 16,61 | PHS 08B-3B72 | |
| | 76 | 307,33 | B | 25 | 85 | 120 | 60 | 7,24 | 35,05 | 22,23 | PHS 08B-3B76 | |
| | 84 | 339,65 | B | 25 | 85 | 120 | 60 | 7,24 | 35,05 | 24,57 | PHS 08B-3B84 | |
| | 95 | 384,11 | B | 25 | 85 | 120 | 60 | 7,24 | 35,05 | 33,11 | PHS 08B-3B95 | |
| | 114 | 460,90 | B | 25 | 85 | 120 | 60 | 7,24 | 35,05 | 41,90 | PHS 08B-3B114 | |
| | 15,88 | 11 | 56,34 | B | 16 | 24 | 39 | 55 | 8,97 | 42,14 | 0,68 | PHS 10B-3BH11 |
| | | 12 | 61,34 | B | 16 | 29 | 44 | 55 | 8,97 | 42,14 | 0,82 | PHS 10B-3BH12 |
| | | 13 | 66,32 | B | 16 | 34 | 49 | 55 | 8,97 | 42,14 | 1,05 | PHS 10B-3BH13 |
| | | 14 | 71,34 | B | 16 | 35 | 54 | 55 | 8,97 | 42,14 | 1,23 | PHS 10B-3BH14 |
| | | 15 | 76,36 | B | 16 | 38 | 59 | 55 | 8,97 | 42,14 | 1,36 | PHS 10B-3BH15 |
| | | 16 | 81,37 | B | 16 | 42 | 64 | 60 | 8,97 | 42,14 | 1,55 | PHS 10B-3BH16 |
| | | 17 | 86,38 | B | 16 | 45 | 69 | 60 | 8,97 | 42,14 | 1,81 | PHS 10B-3BH17 |
| | | 18 | 91,42 | B | 16 | 48 | 74 | 60 | 8,97 | 42,14 | 2,09 | PHS 10B-3BH18 |
| | | 19 | 96,45 | B | 16 | 52 | 79 | 60 | 8,97 | 42,14 | 2,40 | PHS 10B-3BH19 |
| | | 20 | 101,49 | B | 16 | 56 | 84 | 60 | 8,97 | 42,14 | 2,72 | PHS 10B-3BH20 |
| | | 21 | 106,52 | B | 20 | 56 | 85 | 60 | 8,97 | 42,14 | 3,04 | PHS 10B-3BH21 |
| | | 22 | 111,55 | B | 20 | 60 | 90 | 60 | 8,97 | 42,14 | 3,36 | PHS 10B-3BH22 |
| 23 | | 116,58 | B | 20 | 62 | 95 | 60 | 8,97 | 42,14 | 3,67 | PHS 10B-3BH23 | |
| 24 | | 121,62 | B | 20 | 64 | 100 | 60 | 8,97 | 42,14 | 4,00 | PHS 10B-3BH24 | |
| 25 | | 126,66 | B | 20 | 68 | 105 | 60 | 8,97 | 42,14 | 4,31 | PHS 10B-3BH25 | |
| 26 | | 131,70 | B | 20 | 73 | 110 | 60 | 8,97 | 42,14 | 5,18 | PHS 10B-3B26 | |
| 27 | | 136,75 | B | 20 | 73 | 110 | 60 | 8,97 | 42,14 | 5,63 | PHS 10B-3B27 | |
| 28 | | 141,78 | B | 20 | 76 | 115 | 60 | 8,97 | 42,14 | 6,04 | PHS 10B-3B28 | |
| 29 | | 146,83 | B | 20 | 76 | 115 | 60 | 8,97 | 42,14 | 6,22 | PHS 10B-3B29 | |
| 30 | | 151,87 | B | 20 | 80 | 120 | 60 | 8,97 | 42,14 | 6,36 | PHS 10B-3B30 | |
| 32 | | 161,95 | B | 20 | 80 | 120 | 60 | 8,97 | 42,14 | 7,26 | PHS 10B-3B32 | |
| 35 | | 177,10 | B | 20 | 80 | 120 | 60 | 8,97 | 42,14 | 8,60 | PHS 10B-3B35 | |
| 36 | | 182,15 | B | 25 | 80 | 120 | 60 | 8,97 | 42,14 | 9,34 | PHS 10B-3B36 | |
| 38 | | 192,24 | B | 25 | 80 | 120 | 60 | 8,97 | 42,14 | 11,03 | PHS 10B-3B38 | |
| 45 | | 227,58 | B | 25 | 80 | 130 | 60 | 8,97 | 42,14 | 14,94 | PHS 10B-3B45 | |
| 48 | | 242,73 | B | 25 | 80 | 130 | 60 | 8,97 | 42,14 | 16,62 | PHS 10B-3B48 | |
| 57 | | 288,18 | B | 25 | 80 | 130 | 64 | 8,97 | 42,14 | 21,77 | PHS 10B-3B57 | |
| 60 | | 303,32 | B | 25 | 80 | 130 | 67 | 8,97 | 42,14 | 22,22 | PHS 10B-3B60 | |
| 76 | | 384,16 | C | 25 | 80 | 130 | 67 | 8,97 | 42,14 | 23,13 | PHS 10B-3C76 | |
| 80 | | 404,35 | C | 25 | 80 | 130 | 67 | 8,97 | 42,14 | 25,14 | PHS 10B-3C80 | |
| 95 | | 480,14 | C | 25 | 80 | 130 | 67 | 8,97 | 42,14 | 32,66 | PHS 10B-3C95 | |
| 114 | | 576,13 | C | 25 | 80 | 130 | 67 | 8,97 | 42,14 | 44,76 | PHS 10B-3C114 | |
| 19,05 | | 11 | 67,61 | B | 20 | 32 | 47 | 70 | 10,87 | 49,78 | 1,13 | PHS 12B-3BH11 |
| | 12 | 73,61 | B | 20 | 36 | 53 | 70 | 10,87 | 49,78 | 1,50 | PHS 12B-3BH12 | |
| | 13 | 79,59 | B | 20 | 38 | 59 | 70 | 10,87 | 49,78 | 1,77 | PHS 12B-3BH13 | |
| | 14 | 85,61 | B | 20 | 42 | 65 | 70 | 10,87 | 49,78 | 2,04 | PHS 12B-3BH14 | |
| | 15 | 91,63 | B | 20 | 45 | 71 | 70 | 10,87 | 49,78 | 2,45 | PHS 12B-3BH15 | |
| | 16 | 97,65 | B | 20 | 51 | 77 | 70 | 10,87 | 49,78 | 2,95 | PHS 12B-3BH16 | |
| | 17 | 103,67 | B | 20 | 54 | 83 | 70 | 10,87 | 49,78 | 3,49 | PHS 12B-3BH17 | |
| | 18 | 109,71 | B | 20 | 60 | 89 | 70 | 10,87 | 49,78 | 3,86 | PHS 12B-3BH18 | |
| | 19 | 115,75 | B | 20 | 62 | 95 | 70 | 10,87 | 49,78 | 4,54 | PHS 12B-3BH19 | |
| | 20 | 121,78 | B | 20 | 64 | 100 | 70 | 10,87 | 49,78 | 5,08 | PHS 12B-3BH20 | |
| | 21 | 127,82 | B | 20 | 64 | 100 | 70 | 10,87 | 49,78 | 5,67 | PHS 12B-3BH21 | |
| | 22 | 133,86 | B | 20 | 64 | 100 | 70 | 10,87 | 49,78 | 5,99 | PHS 12B-3BH22 | |
| | 23 | 139,90 | B | 20 | 73 | 110 | 70 | 10,87 | 49,78 | 6,62 | PHS 12B-3BH23 | |
| | 24 | 145,94 | B | 20 | 73 | 110 | 70 | 10,87 | 49,78 | 7,17 | PHS 12B-3BH24 | |
| | 25 | 152,00 | B | 20 | 80 | 120 | 70 | 10,87 | 49,78 | 7,71 | PHS 12B-3BH25 | |
| | 26 | 158,04 | B | 20 | 80 | 120 | 70 | 10,87 | 49,78 | 8,44 | PHS 12B-3B26 | |
| | 27 | 164,09 | B | 20 | 80 | 120 | 70 | 10,87 | 49,78 | 8,99 | PHS 12B-3B27 | |
| | 28 | 170,13 | B | 20 | 80 | 120 | 70 | 10,87 | 49,78 | 9,49 | PHS 12B-3B28 | |
| | 29 | 176,19 | B | 20 | 80 | 120 | 70 | 10,87 | 49,78 | 9,99 | PHS 12B-3B29 | |
| | 30 | 182,25 | B | 20 | 80 | 120 | 70 | 10,87 | 49,78 | 10,53 | PHS 12B-3B30 | |

Maximum bores can accommodate standard keyways. Larger bores are available where a shallow keyway is used or no keyway is required. All Type B or C sprockets, up to and including 25 tooth, are with hardened teeth as standard. For any additional size sprockets with hardened teeth, add "H" before the number of teeth, e.g. PHS 06B-3BH12.

Metric sprockets, triplex, standard

ISO 12B-3 · 19,05 mm pitch | ISO 16B-3 · 25,40 mm pitch | ISO 20B-3 · 31,75 mm pitch



| Pitch | Number of teeth | Pitch diameter PD | Type | Dimensions Bore | | Hub | | Plate thickness | | Mass | Designation |
|-------|-----------------|----------------------|------|--------------------|------|-----|-------|-----------------|----------------|---------------|---------------|
| | | | | Min. | Max. | H | L | t ₁ | t ₂ | | |
| mm | - | mm | - | mm | | | | | | kg | - |
| 19,05 | 35 | 212,52 | B | 25 | 85 | 130 | 70 | 10,87 | 49,78 | 18,95 | PHS 12B-3B35 |
| | 36 | 218,58 | B | 25 | 85 | 130 | 70 | 10,87 | 49,78 | 19,49 | PHS 12B-3B36 |
| | 38 | 230,69 | B | 25 | 85 | 130 | 70 | 10,87 | 49,78 | 20,57 | PHS 12B-3B38 |
| | 45 | 273,10 | B | 25 | 85 | 140 | 70 | 10,87 | 49,78 | 24,36 | PHS 12B-3B45 |
| | 48 | 291,27 | B | 25 | 85 | 140 | 70 | 10,87 | 49,78 | 25,98 | PHS 12B-3B48 |
| | 57 | 345,81 | B | 25 | 82 | 140 | 70 | 10,87 | 49,78 | 33,73 | PHS 12B-3B57 |
| | 60 | 363,99 | C | 25 | 82 | 140 | 70 | 10,87 | 49,78 | 35,51 | PHS 12B-3C60 |
| | 68 | 412,49 | C | 25 | 82 | 140 | 70 | 10,87 | 49,78 | 40,24 | PHS 12B-3C68 |
| | 76 | 460,99 | C | 25 | 95 | 140 | 70 | 10,87 | 49,78 | 37,19 | PHS 12B-3C76 |
| | 80 | 485,22 | C | 25 | 95 | 140 | 70 | 10,87 | 49,78 | 39,15 | PHS 12B-3C80 |
| 95 | 576,17 | C | 25 | 95 | 140 | 70 | 10,87 | 49,78 | 47,63 | PHS 12B-3C95 | |
| 25,40 | 10 | 90,14 | B | 20 | 42 | 56 | 95 | 15,82 | 79,58 | 1,85 | PHS 16B-3BH10 |
| | 11 | 90,14 | B | 25 | 42 | 64 | 100 | 15,82 | 79,58 | 3,59 | PHS 16B-3BH11 |
| | 12 | 98,14 | B | 25 | 45 | 72 | 100 | 15,82 | 79,58 | 3,59 | PHS 16B-3BH12 |
| | 13 | 106,12 | B | 25 | 52 | 80 | 100 | 15,82 | 79,58 | 4,13 | PHS 16B-3BH13 |
| | 14 | 114,15 | B | 25 | 58 | 88 | 100 | 15,82 | 79,58 | 4,68 | PHS 16B-3BH14 |
| | 15 | 122,17 | B | 25 | 62 | 96 | 100 | 15,82 | 79,58 | 5,54 | PHS 16B-3BH15 |
| | 16 | 130,20 | B | 25 | 66 | 104 | 100 | 15,82 | 79,58 | 6,81 | PHS 16B-3BH16 |
| | 17 | 138,22 | B | 25 | 74 | 112 | 100 | 15,82 | 79,58 | 8,07 | PHS 16B-3BH17 |
| | 18 | 146,28 | B | 25 | 80 | 120 | 100 | 15,82 | 79,58 | 9,99 | PHS 16B-3BH18 |
| | 19 | 154,33 | B | 25 | 84 | 128 | 100 | 15,82 | 79,58 | 10,89 | PHS 16B-3BH19 |
| | 20 | 162,38 | B | 25 | 85 | 130 | 100 | 15,82 | 79,58 | 11,80 | PHS 16B-3BH20 |
| | 21 | 170,43 | B | 25 | 85 | 130 | 100 | 15,82 | 79,58 | 13,61 | PHS 16B-3BH21 |
| | 22 | 178,48 | B | 25 | 85 | 130 | 100 | 15,82 | 79,58 | 14,07 | PHS 16B-3BH22 |
| | 23 | 186,53 | B | 25 | 85 | 130 | 100 | 15,82 | 79,58 | 14,97 | PHS 16B-3BH23 |
| | 24 | 194,59 | B | 25 | 85 | 130 | 100 | 15,82 | 79,58 | 16,34 | PHS 16B-3BH24 |
| | 25 | 202,66 | B | 25 | 85 | 130 | 100 | 15,82 | 79,58 | 17,70 | PHS 16B-3BH25 |
| | 26 | 210,72 | B | 30 | 85 | 130 | 100 | 15,82 | 79,58 | 19,98 | PHS 16B-3B26 |
| | 27 | 218,79 | B | 30 | 85 | 130 | 100 | 15,82 | 79,58 | 21,57 | PHS 16B-3B27 |
| | 28 | 226,85 | B | 30 | 85 | 130 | 100 | 15,82 | 79,58 | 23,15 | PHS 16B-3B28 |
| | 29 | 234,92 | B | 30 | 85 | 130 | 100 | 15,82 | 79,58 | 24,74 | PHS 16B-3B29 |
| 30 | 243,00 | B | 30 | 95 | 136 | 100 | 15,82 | 79,58 | 26,33 | PHS 16B-3B30 | |
| 35 | 283,36 | B | 30 | 95 | 140 | 100 | 15,82 | 79,58 | 36,06 | PHS 16B-3B35 | |
| 36 | 291,44 | B | 30 | 95 | 140 | 100 | 15,82 | 79,58 | 38,06 | PHS 16B-3B36 | |
| 38 | 307,59 | C | 30 | 97 | 140 | 100 | 15,82 | 79,58 | 38,22 | PHS 16B-3C38 | |
| 42 | 339,89 | C | 30 | 97 | 160 | 100 | 15,82 | 79,58 | 38,51 | PHS 16B-3C42 | |
| 45 | 364,13 | C | 30 | 97 | 160 | 100 | 15,82 | 79,58 | 41,77 | PHS 16B-3C45 | |
| 57 | 461,07 | C | 30 | 107 | 180 | 110 | 15,82 | 79,58 | 54,80 | PHS 16B-3C57 | |
| 60 | 485,32 | C | 30 | 107 | 180 | 110 | 15,82 | 79,58 | 58,06 | PHS 16B-3C60 | |
| 68 | 549,98 | C | 30 | 107 | 180 | 110 | 15,82 | 79,58 | 63,50 | PHS 16B-3C68 | |
| 76 | 614,65 | C | 30 | 107 | 180 | 110 | 15,82 | 79,58 | 74,52 | PHS 16B-3C76 | |
| 95 | 768,22 | C | 30 | 114 | 180 | 110 | 15,82 | 79,58 | 100,70 | PHS 16B-3C95 | |
| 114 | 921,81 | C | 30 | 114 | 180 | 110 | 15,82 | 79,58 | 120,84 | PHS 16B-3C114 | |
| 31,75 | 10 | 102,75 | B | 20 | 47 | 70 | 110 | 18,19 | 91,08 | 3,95 | PHS 20B-3BH10 |
| | 11 | 112,70 | B | 20 | 52 | 80 | 115 | 18,19 | 91,08 | 5,26 | PHS 20B-3BH11 |
| | 12 | 122,67 | B | 20 | 60 | 90 | 115 | 18,19 | 91,08 | 6,21 | PHS 20B-3BH12 |
| | 13 | 132,67 | B | 20 | 64 | 100 | 115 | 18,19 | 91,08 | 9,26 | PHS 20B-3BH13 |
| | 14 | 142,68 | B | 20 | 73 | 110 | 115 | 18,19 | 91,08 | 9,76 | PHS 20B-3BH14 |
| | 15 | 152,71 | B | 20 | 80 | 120 | 115 | 18,19 | 91,08 | 10,81 | PHS 20B-3BH15 |
| | 16 | 162,75 | B | 25 | 80 | 120 | 115 | 18,19 | 91,08 | 12,76 | PHS 20B-3BH16 |
| | 17 | 172,79 | B | 25 | 80 | 120 | 115 | 18,19 | 91,08 | 14,76 | PHS 20B-3BH17 |
| | 18 | 182,84 | B | 25 | 80 | 120 | 115 | 18,19 | 91,08 | 16,71 | PHS 20B-3BH18 |
| | 19 | 192,90 | B | 25 | 80 | 120 | 115 | 18,19 | 91,08 | 19,13 | PHS 20B-3BH19 |

Maximum bores can accommodate standard keyways. Larger bores are available where a shallow keyway is used or no keyway is required. All Type B or C sprockets, up to and including 25 tooth, are with hardened teeth as standard. For any additional size sprockets with hardened teeth, add "H" before the number of teeth, e.g. PHS 06B-3BH12.

Metric sprockets, triplex, standard

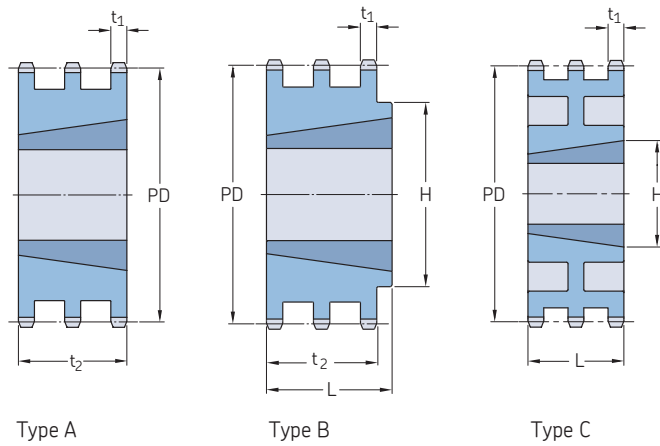
ISO 20B-3 · 31,75 mm pitch

| Pitch | Number of teeth | Pitch diameter PD | Type | Dimensions Bore | | Hub | | Plate thickness | | Mass | Designation |
|-------|-----------------|----------------------|------|--------------------|------|-----|-------|-----------------|----------------|---------------|---------------|
| | | | | Min. | Max. | H | L | t ₁ | t ₂ | | |
| mm | – | mm | – | mm | | | | | | kg | – |
| 31,75 | 20 | 202,96 | B | 25 | 80 | 120 | 115 | 18,19 | 91,08 | 21,57 | PHS 20B-3BH20 |
| | 21 | 213,03 | B | 25 | 92 | 140 | 115 | 18,19 | 91,08 | 23,36 | PHS 20B-3BH21 |
| | 22 | 223,10 | B | 25 | 92 | 140 | 115 | 18,19 | 91,08 | 25,65 | PHS 20B-3BH22 |
| | 23 | 233,17 | B | 25 | 92 | 140 | 115 | 18,19 | 91,08 | 27,90 | PHS 20B-3BH23 |
| | 24 | 243,25 | B | 25 | 95 | 140 | 115 | 18,19 | 91,08 | 27,19 | PHS 20B-3BH24 |
| | 25 | 253,32 | B | 25 | 95 | 140 | 115 | 18,19 | 91,08 | 27,90 | PHS 20B-3BH25 |
| | 26 | 263,41 | B | 25 | 95 | 150 | 115 | 18,19 | 91,08 | 31,90 | PHS 20B-3B26 |
| | 27 | 273,49 | B | 25 | 95 | 150 | 115 | 18,19 | 91,08 | 35,90 | PHS 20B-3B27 |
| | 28 | 283,57 | B | 25 | 95 | 150 | 115 | 18,19 | 91,08 | 39,90 | PHS 20B-3B28 |
| | 30 | 303,75 | B | 25 | 95 | 150 | 115 | 18,19 | 91,08 | 47,90 | PHS 20B-3B30 |
| | 32 | 323,92 | B | 30 | 95 | 150 | 115 | 18,19 | 91,08 | 51,57 | PHS 20B-3B32 |
| | 35 | 354,20 | C | 30 | 97 | 150 | 115 | 18,19 | 91,08 | 57,29 | PHS 20B-3C35 |
| | 36 | 364,29 | C | 30 | 97 | 150 | 115 | 18,19 | 91,08 | 59,35 | PHS 20B-3C36 |
| | 38 | 384,48 | C | 30 | 97 | 150 | 115 | 18,19 | 91,08 | 62,56 | PHS 20B-3C38 |
| | 42 | 424,86 | C | 30 | 97 | 160 | 110 | 18,19 | 91,08 | 70,12 | PHS 20B-3C42 |
| | 45 | 455,15 | C | 30 | 97 | 160 | 110 | 18,19 | 91,08 | 75,84 | PHS 20B-3C45 |
| | 57 | 576,35 | C | 30 | 102 | 180 | 123 | 18,19 | 91,08 | 100,11 | PHS 20B-3C57 |
| | 60 | 606,66 | C | 30 | 102 | 180 | 123 | 18,19 | 91,08 | 104,86 | PHS 20B-3C60 |
| | 68 | 687,48 | C | 30 | 102 | 200 | 123 | 18,19 | 91,08 | 117,54 | PHS 20B-3C68 |
| | 76 | 768,30 | C | 30 | 102 | 200 | 123 | 18,19 | 91,08 | 130,21 | PHS 20B-3C76 |
| 80 | 808,71 | C | 30 | 102 | 200 | 123 | 18,19 | 91,08 | 136,55 | PHS 20B-3C80 | |
| 95 | 960,28 | C | 30 | 102 | 200 | 123 | 18,19 | 91,08 | 160,31 | PHS 20B-3C95 | |
| 114 | 1 152,27 | C | 30 | 102 | 200 | 126 | 18,19 | 91,08 | 190,41 | PHS 20B-3C114 | |

Maximum bores can accommodate standard keyways. Larger bores are available where a shallow keyway is used or no keyway is required. All Type B or C sprockets, up to and including 25 tooth, are with hardened teeth as standard. For any additional size sprockets with hardened teeth, add "H" before the number of teeth, e.g. PHS 06B-3BH12.

Metric sprockets, triplex, taper bushed

ISO 12B-3 · 19,05 mm pitch | ISO 16B-3 · 25,40 mm pitch

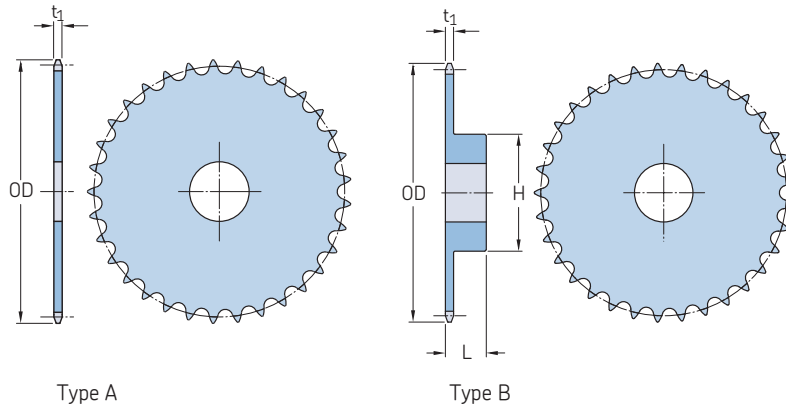


| Pitch | Number of teeth | Pitch diameter PD | Type | Bushing number | Dimensions Bore | | L | H | Plate thickness | | Mass | Designation |
|-------|-----------------|----------------------|--------|----------------|-----------------|------|-----|-------|-----------------|----------------|-------|----------------|
| | | | | | Min. | Max. | | | t ₁ | t ₂ | | |
| mm | - | mm | - | - | mm | | | | | | kg | - |
| 19,05 | 17 | 103,67 | A | 2012 | 14 | 50 | - | - | 10,87 | 49,78 | 1,28 | PHS 12B-3TBH17 |
| | 19 | 115,75 | A | 2517 | 16 | 65 | - | - | 10,87 | 49,78 | 2,02 | PHS 12B-3TBH19 |
| | 21 | 127,82 | A | 2517 | 16 | 65 | - | - | 10,87 | 49,78 | 2,09 | PHS 12B-3TBH21 |
| | 23 | 139,90 | A | 2517 | 16 | 65 | - | - | 10,87 | 49,78 | 3,00 | PHS 12B-3TBH23 |
| | 25 | 152,00 | A | 3020 | 25 | 75 | - | - | 10,87 | 49,78 | 3,97 | PHS 12B-3TBH25 |
| | 27 | 164,09 | B | 3020 | 25 | 75 | 140 | 51,0 | 10,87 | 49,78 | 3,83 | PHS 12B-3TB27 |
| | 30 | 182,25 | B | 3020 | 25 | 75 | 140 | 51,0 | 10,87 | 49,78 | 5,72 | PHS 12B-3TB30 |
| | 38 | 230,69 | B | 3020 | 25 | 75 | 140 | 51,0 | 10,87 | 49,78 | 7,76 | PHS 12B-3TB38 |
| | 45 | 273,10 | C | 3020 | 25 | 75 | 140 | 51,0 | 10,87 | 49,78 | 10,04 | PHS 12B-3TB45 |
| | 57 | 345,81 | C | 3020 | 25 | 75 | 140 | 51,0 | 10,87 | 49,78 | 14,42 | PHS 12B-3TB57 |
| | 76 | 460,99 | C | 3020 | 25 | 75 | 140 | 51,0 | 10,87 | 49,78 | 25,50 | PHS 12B-3TB76 |
| | 95 | 576,17 | C | 3030 | 25 | 75 | 140 | 76,0 | 10,87 | 49,78 | 36,58 | PHS 12B-3TB95 |
| | 114 | 691,36 | C | 3030 | 25 | 75 | 140 | 76,0 | 10,87 | 49,78 | 47,66 | PHS 12B-3TB114 |
| | 25,40 | 17 | 138,22 | A | 2517 | 16 | 65 | - | - | 15,82 | 79,58 | 4,20 |
| 19 | | 154,33 | B | 3020 | 35 | 75 | - | 76,2 | 15,82 | 79,58 | 4,30 | PHS 16B-3TBH19 |
| 21 | | 170,43 | B | 3020 | 35 | 75 | - | 76,2 | 15,82 | 79,58 | 6,60 | PHS 16B-3TBH21 |
| 23 | | 186,53 | B | 3525 | 35 | 100 | - | 65,0 | 15,82 | 79,58 | 7,00 | PHS 16B-3TBH23 |
| 25 | | 202,66 | B | 3525 | 35 | 100 | - | 65,0 | 15,82 | 79,58 | 9,80 | PHS 16B-3TBH25 |
| 27 | | 218,79 | B | 3525 | 35 | 100 | - | 65,0 | 15,82 | 79,58 | 12,80 | PHS 16B-3TB27 |
| 30 | | 243,00 | B | 3525 | 35 | 100 | - | 65,0 | 15,82 | 79,58 | 18,00 | PHS 16B-3TB30 |
| 38 | | 307,59 | B | 3535 | 35 | 100 | 178 | 89,0 | 15,82 | 79,58 | 21,50 | PHS 16B-3TB38 |
| 45 | | 364,13 | C | 4040 | 40 | 115 | 216 | 102,0 | 15,82 | 79,58 | 33,50 | PHS 16B-3TB45 |
| 57 | | 461,07 | C | 4040 | 40 | 115 | 216 | 102,0 | 15,82 | 79,58 | 39,50 | PHS 16B-3TB57 |
| 76 | | 614,65 | C | 4040 | 40 | 115 | 216 | 102,0 | 15,82 | 79,58 | 59,50 | PHS 16B-3TB76 |

Maximum bores can accommodate standard keyways. Larger bores are available where a shallow keyway is used or no keyway is required. All Type B or C sprockets, up to and including 25 tooth, are with hardened teeth as standard. For any additional size sprockets with hardened teeth, add "H" before the number of teeth, e.g. PHS 12B-3TBH17.

ANSI sprockets, simplex, pilot bore

ANSI 25-1 · 6,35 mm (1/4") pitch

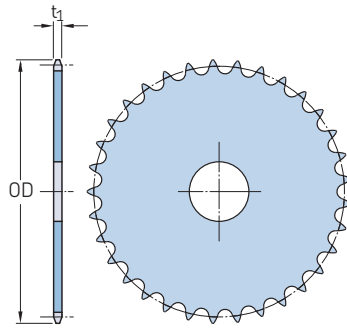


| Pitch | Number of teeth | Outside diameter OD | Type | Dimensions | | Hub | | Plate thickness t ₁ | Mass | Designation | | |
|-------|-----------------|------------------------|-------|------------|-------|-------|-------|-----------------------------------|-------|-------------|------|-------------|
| | | | | Bore stock | Bore | H | L | | | | | |
| mm | in. | mm | – | mm | Min. | Max. | mm | mm | kg | – | | |
| 6,35 | 1/4 | 9 | 21,34 | B | – | 6,35 | 6,35 | 11,11 | 12,70 | 2,790 | 0,01 | PHS 25-1B9 |
| | | 10 | 23,37 | B | – | 6,35 | 6,35 | 12,70 | 12,70 | 2,790 | 0,01 | PHS 25-1B10 |
| | | 11 | 25,40 | B | – | 6,35 | 7,94 | 14,29 | 12,70 | 2,790 | 0,02 | PHS 25-1B11 |
| | | 12 | 27,43 | B | – | 6,35 | 9,53 | 15,88 | 12,70 | 2,790 | 0,03 | PHS 25-1B12 |
| | | 13 | 29,72 | B | – | 6,35 | 11,11 | 18,26 | 12,70 | 2,790 | 0,03 | PHS 25-1B13 |
| | | 14 | 31,75 | B | – | 6,35 | 14,29 | 20,64 | 12,70 | 2,790 | 0,04 | PHS 25-1B14 |
| | | 15 | 33,78 | B | – | 6,35 | 14,29 | 22,62 | 12,70 | 2,790 | 0,05 | PHS 25-1B15 |
| | | 16 | 35,81 | B | – | 6,35 | 14,29 | 24,61 | 12,70 | 2,790 | 0,05 | PHS 25-1B16 |
| | | 17 | 37,85 | B | – | 6,35 | 15,88 | 26,19 | 12,70 | 2,790 | 0,06 | PHS 25-1B17 |
| | | 18 | 39,88 | A | 6,35 | – | – | – | – | 2,790 | 0,02 | PHS 25-1A18 |
| | | 18 | 39,88 | B | – | 6,35 | 19,05 | 28,58 | 12,70 | 2,790 | 0,07 | PHS 25-1B18 |
| | | 19 | 41,91 | A | 6,35 | – | – | – | – | 2,790 | 0,02 | PHS 25-1A19 |
| | | 19 | 41,91 | B | – | 6,35 | 20,64 | 30,96 | 12,70 | 2,790 | 0,09 | PHS 25-1B19 |
| | | 20 | 43,94 | A | 6,35 | – | – | – | – | 2,790 | 0,02 | PHS 25-1A20 |
| | | 20 | 43,94 | B | – | 6,35 | 22,23 | 32,54 | 15,88 | 2,790 | 0,11 | PHS 25-1B20 |
| | | 21 | 45,97 | A | 9,53 | – | – | – | – | 2,790 | 0,02 | PHS 25-1A21 |
| | | 21 | 45,97 | B | – | 6,35 | 22,23 | 34,93 | 15,88 | 2,790 | 0,13 | PHS 25-1B21 |
| | | 22 | 48,01 | A | 9,53 | – | – | – | – | 2,790 | 0,03 | PHS 25-1A22 |
| | | 22 | 48,01 | B | – | 6,35 | 23,81 | 36,51 | 15,88 | 2,790 | 0,14 | PHS 25-1B22 |
| | | 23 | 50,04 | A | 9,53 | – | – | – | – | 2,790 | 0,03 | PHS 25-1A23 |
| | | 23 | 50,04 | B | – | 6,35 | 25,40 | 38,10 | 15,88 | 2,790 | 0,15 | PHS 25-1B23 |
| | | 24 | 52,07 | A | 9,53 | – | – | – | – | 2,790 | 0,04 | PHS 25-1A24 |
| | | 24 | 52,07 | B | – | 9,53 | 25,40 | 38,10 | 15,88 | 2,790 | 0,15 | PHS 25-1B24 |
| | | 25 | 54,10 | A | 9,53 | – | – | – | – | 2,790 | 0,04 | PHS 25-1A25 |
| | | 25 | 54,10 | B | – | 9,53 | 25,40 | 38,10 | 15,88 | 2,790 | 0,15 | PHS 25-1B25 |
| | | 26 | 56,13 | A | 9,53 | – | – | – | – | 2,790 | 0,04 | PHS 25-1A26 |
| | | 26 | 56,13 | B | – | 9,53 | 25,40 | 38,10 | 15,88 | 2,790 | 0,16 | PHS 25-1B26 |
| | | 28 | 60,20 | A | 9,53 | – | – | – | – | 2,790 | 0,05 | PHS 25-1A28 |
| | | 28 | 60,20 | B | – | 9,53 | 25,40 | 38,10 | 15,88 | 2,790 | 0,16 | PHS 25-1B28 |
| | | 30 | 64,26 | A | 9,53 | – | – | – | – | 2,790 | 0,05 | PHS 25-1A30 |
| | | 30 | 64,26 | B | – | 9,53 | 25,40 | 38,10 | 15,88 | 2,790 | 0,17 | PHS 25-1B30 |
| | | 32 | 68,33 | A | 9,53 | – | – | – | – | 2,790 | 0,06 | PHS 25-1A32 |
| | | 32 | 68,33 | B | – | 9,53 | 25,40 | 38,10 | 15,88 | 2,790 | 0,18 | PHS 25-1B32 |
| | | 35 | 74,42 | A | 9,53 | – | – | – | – | 2,790 | 0,07 | PHS 25-1A35 |
| | | 36 | 76,45 | A | 9,53 | – | – | – | – | 2,790 | 0,08 | PHS 25-1A36 |
| | | 36 | 76,45 | B | – | 9,53 | 25,40 | 38,10 | 19,05 | 2,790 | 0,23 | PHS 25-1B36 |
| | | 40 | 84,58 | A | 12,70 | – | – | – | – | 2,790 | 0,09 | PHS 25-1A40 |
| | | 40 | 84,58 | B | – | 12,70 | 34,93 | 50,80 | 19,05 | 2,790 | 0,24 | PHS 25-1B40 |
| | | 42 | 88,65 | A | 12,70 | – | – | – | – | 2,790 | 0,11 | PHS 25-1A42 |

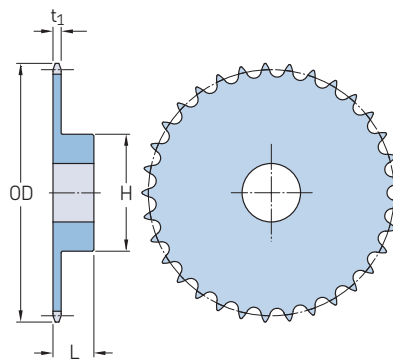
Maximum bores can accommodate standard keyways. Larger bores are available where a shallow keyway is used or no keyway is required. All Type B or C sprockets, up to and including 25 tooth, are with hardened teeth as standard. For any additional size sprockets with hardened teeth, add "H" before the number of teeth, e.g. PHS 25-1BH9.

ANSI sprockets, simplex, pilot bore

ANSI 25-1 · 6,35 mm (1/4") pitch | ANSI 35-1 · 9,53 mm (3/8") pitch



Type A



Type B

| Pitch | Number of teeth | Outside diameter OD | Type | Dimensions | | Hub H | Hub L | Plate thickness t ₁ | Mass | Designation | |
|-------|-----------------|------------------------|--------|---------------|-------------------|----------|----------|-----------------------------------|-------------|--------------|--------------|
| | | | | Bore stock | Bore Min. Max. | | | | | | |
| mm | in. | mm | – | mm | mm | mm | mm | mm | kg | – | |
| 6,35 | 1/4 | 45 | A | 12,70 | – | – | – | 2,790 | 0,11 | PHS 25-1A45 | |
| | | | B | – | 12,70 | 34,93 | 50,80 | 19,05 | 2,790 | 0,25 | PHS 25-1B45 |
| | 48 | A | 100,58 | 12,70 | – | – | – | 2,790 | 0,15 | PHS 25-1A48 | |
| | | B | 100,58 | – | 12,70 | 34,93 | 50,80 | 19,05 | 2,790 | 0,25 | PHS 25-1B48 |
| | 54 | A | 112,78 | 12,70 | – | – | – | 2,790 | 0,17 | PHS 25-1A54 | |
| | | B | 112,78 | – | 12,70 | 34,93 | 50,80 | 19,05 | 2,790 | 0,45 | PHS 25-1B54 |
| | 60 | A | 124,97 | 12,70 | – | – | – | 2,790 | 0,24 | PHS 25-1A60 | |
| | | B | 124,97 | – | 12,70 | 34,93 | 50,80 | 19,05 | 2,790 | 0,50 | PHS 25-1B60 |
| | 70 | B | 145,29 | – | 12,70 | 34,93 | 50,80 | 19,05 | 2,790 | 0,57 | PHS 25-1B70 |
| | | 72 | A | 149,35 | 12,70 | – | – | – | 2,790 | 0,34 | PHS 25-1A72 |
| | B | | 149,35 | – | 12,70 | 34,93 | 50,80 | 19,05 | 2,790 | 0,59 | PHS 25-1B72 |
| | 9,53 | 3/8 | 8 | B | – | 9,53 | 9,53 | 19,05 | 19,05 | 4,270 | 0,03 |
| B | | | | – | 9,53 | 9,53 | 21,43 | 19,05 | 4,270 | 0,04 | PHS 35-1BH9 |
| 10 | | | B | – | 9,53 | 14,29 | 24,61 | 19,05 | 4,270 | 0,06 | PHS 35-1BH10 |
| | | | B | – | 9,53 | 14,29 | 26,99 | 19,05 | 4,270 | 0,08 | PHS 35-1BH11 |
| 12 | | | B | – | 12,70 | 14,29 | 30,96 | 19,05 | 4,270 | 0,09 | PHS 35-1BH12 |
| | | | B | – | 12,70 | 17,46 | 31,75 | 19,05 | 4,270 | 0,10 | PHS 35-1BH13 |
| 14 | | | B | – | 12,70 | 22,23 | 31,75 | 19,05 | 4,270 | 0,11 | PHS 35-1BH14 |
| | | | 15 | A | 12,70 | – | – | – | 4,270 | 0,05 | PHS 35-1A15 |
| B | | | | – | 12,70 | 22,23 | 34,13 | 19,05 | 4,270 | 0,13 | PHS 35-1BH15 |
| 16 | | | A | 53,59 | 12,70 | – | – | – | 4,270 | 0,05 | PHS 35-1A16 |
| | | | B | 53,59 | – | 12,70 | 23,81 | 37,31 | 19,05 | 4,270 | 0,16 |
| 17 | | | A | 56,64 | 12,70 | – | – | – | 4,270 | 0,05 | PHS 35-1A17 |
| | | | B | 56,64 | – | 12,70 | 26,99 | 40,48 | 19,05 | 4,270 | 0,19 |
| 18 | | | A | 59,69 | 12,70 | – | – | – | 4,270 | 0,06 | PHS 35-1A18 |
| | | | B | 59,69 | – | 12,70 | 30,16 | 43,66 | 19,05 | 4,270 | 0,22 |
| 19 | | | A | 62,74 | 12,70 | – | – | – | 4,270 | 0,07 | PHS 35-1A19 |
| | | | B | 62,74 | – | 12,70 | 31,75 | 46,83 | 19,05 | 4,270 | 0,24 |
| 20 | | | A | 65,79 | 12,70 | – | – | – | 4,270 | 0,09 | PHS 35-1A20 |
| | | | B | 65,79 | – | 12,70 | 33,34 | 49,21 | 19,05 | 4,270 | 0,27 |
| 21 | | | A | 68,83 | 12,70 | – | – | – | 4,270 | 0,09 | PHS 35-1A21 |
| | | | B | 68,83 | – | 12,70 | 34,93 | 50,80 | 22,23 | 4,270 | 0,36 |
| 22 | | | A | 71,88 | 12,70 | – | – | – | 4,270 | 0,10 | PHS 35-1A22 |
| | | | B | 71,88 | – | 12,70 | 34,93 | 50,80 | 22,23 | 4,270 | 0,36 |
| 23 | | | A | 74,93 | 12,70 | – | – | – | 4,270 | 0,11 | PHS 35-1A23 |
| | | | B | 74,93 | – | 12,70 | 34,93 | 50,80 | 22,23 | 4,270 | 0,37 |
| 24 | A | 77,98 | 12,70 | – | – | – | 4,270 | 0,12 | PHS 35-1A24 | | |
| | B | 77,98 | – | 12,70 | 34,93 | 50,80 | 22,23 | 4,270 | 0,40 | PHS 35-1BH24 | |
| 25 | A | 81,03 | 12,70 | – | – | – | 4,270 | 0,13 | PHS 35-1A25 | | |
| | B | 81,03 | – | 12,70 | 34,93 | 50,80 | 22,23 | 4,270 | 0,40 | PHS 35-1BH25 | |

Maximum bores can accommodate standard keyways. Larger bores are available where a shallow keyway is used or no keyway is required. All Type B or C sprockets, up to and including 25 tooth, are with hardened teeth as standard. For any additional size sprockets with hardened teeth, add "H" before the number of teeth, e.g. PHS 25-1BH9.

ANSI sprockets, simplex, pilot bore

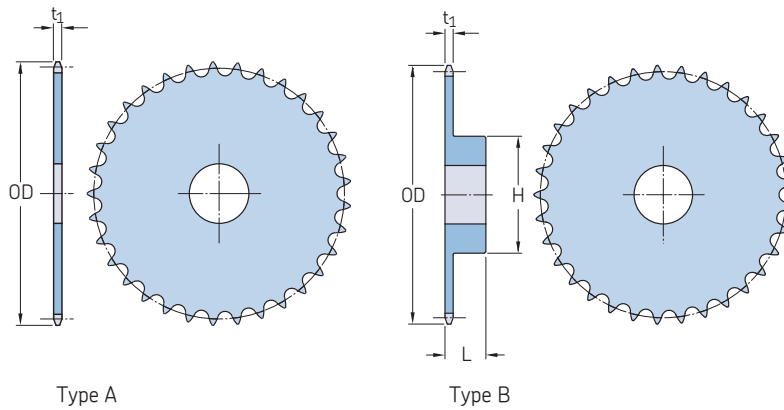
ANSI 35-1 · 9,53 mm (3/8") pitch | ANSI 41-1 · 12,70 mm (1/2") pitch

| Pitch | Number of teeth | Outside diameter | Type | Dimensions | | Hub | Plate thickness | Mass | Designation | | | | |
|-------|-----------------|------------------|-------|------------|-------|-------|-----------------|-------|----------------|--------------|--------------|--------------|-------------|
| | | | | Bore stock | Bore | | | | | | | | |
| | | OD | | | Min. | Max. | H | L | t ₁ | | | | |
| mm | in. | mm | | mm | | | | | kg | | | | |
| 9,53 | 3/8 | 26 | 84,07 | A | 12,70 | – | – | – | – | 4,270 | 0,13 | PHS 35-1A26 | |
| | | | 84,07 | B | – | 12,70 | 34,93 | 50,80 | 22,23 | 4,270 | 0,41 | PHS 35-1B26 | |
| | 27 | 87,12 | A | 12,70 | – | – | – | – | – | 4,270 | 0,15 | PHS 35-1A27 | |
| | | 87,12 | B | – | 12,70 | 34,93 | 50,80 | 22,23 | 4,270 | 0,43 | PHS 35-1B27 | | |
| | 28 | 90,17 | A | 12,70 | – | – | – | – | – | 4,270 | 0,15 | PHS 35-1A28 | |
| | | 90,17 | B | – | 12,70 | 34,93 | 50,80 | 22,23 | 4,270 | 0,43 | PHS 35-1B28 | | |
| | 30 | 96,27 | A | 12,70 | – | – | – | – | – | 4,270 | 0,21 | PHS 35-1A30 | |
| | | 96,27 | B | – | 12,70 | 34,93 | 50,80 | 22,23 | 4,270 | 0,46 | PHS 35-1B30 | | |
| | 32 | 102,36 | A | 15,88 | – | – | – | – | – | 4,270 | 0,21 | PHS 35-1A32 | |
| | | 102,36 | B | – | 12,70 | 34,93 | 50,80 | 22,23 | 4,270 | 0,56 | PHS 35-1B32 | | |
| | 35 | 111,51 | A | 15,88 | – | – | – | – | – | 4,270 | 0,27 | PHS 35-1A35 | |
| | | 111,51 | B | – | 15,88 | 38,10 | 57,15 | 22,23 | 4,270 | 0,68 | PHS 35-1B35 | | |
| | 36 | 114,55 | A | 15,88 | – | – | – | – | – | 4,270 | 0,28 | PHS 35-1A36 | |
| | | 114,55 | B | – | 15,88 | 38,10 | 57,15 | 22,23 | 4,270 | 0,71 | PHS 35-1B36 | | |
| | 40 | 126,75 | A | 15,08 | – | – | – | – | – | 4,270 | 0,32 | PHS 35-1A40 | |
| | | 126,75 | B | – | 15,88 | 38,10 | 57,15 | 25,40 | 4,270 | 0,73 | PHS 35-1B40 | | |
| | 42 | 132,84 | A | 15,08 | – | – | – | – | – | 4,270 | 0,35 | PHS 35-1A42 | |
| | | 132,84 | B | – | 15,88 | 38,10 | 57,15 | 25,40 | 4,270 | 0,76 | PHS 35-1B42 | | |
| | 45 | 141,99 | A | 15,08 | – | – | – | – | – | 4,270 | 0,40 | PHS 35-1A45 | |
| | | 141,99 | B | – | 15,88 | 38,10 | 57,15 | 25,40 | 4,270 | 0,81 | PHS 35-1B45 | | |
| | 48 | 151,13 | A | 15,08 | – | – | – | – | – | 4,270 | 0,55 | PHS 35-1A48 | |
| | | 151,13 | B | – | 15,88 | 38,10 | 57,15 | 25,40 | 4,270 | 0,85 | PHS 35-1B48 | | |
| | 54 | 169,16 | A | 15,08 | – | – | – | – | – | 4,270 | 0,60 | PHS 35-1A54 | |
| | | 169,16 | B | – | 15,88 | 38,10 | 57,15 | 25,40 | 4,270 | 1,00 | PHS 35-1B54 | | |
| 60 | 187,45 | A | 18,26 | – | – | – | – | – | 4,270 | 0,75 | PHS 35-1A60 | | |
| | 187,45 | B | – | 19,05 | 38,10 | 57,15 | 25,40 | 4,270 | 1,12 | PHS 35-1B60 | | | |
| 70 | 217,93 | A | 18,26 | – | – | – | – | – | 4,270 | 1,04 | PHS 35-1A70 | | |
| | 217,93 | B | – | 19,05 | 38,10 | 57,15 | 25,40 | 4,270 | 1,42 | PHS 35-1B70 | | | |
| 72 | 223,77 | A | 18,26 | – | – | – | – | – | 4,270 | 1,16 | PHS 35-1A72 | | |
| | 223,77 | B | – | 19,05 | 38,10 | 57,15 | 25,40 | 4,270 | 1,55 | PHS 35-1B72 | | | |
| 80 | 248,16 | A | 18,26 | – | – | – | – | – | 4,270 | 1,43 | PHS 35-1A80 | | |
| | 248,16 | B | – | 19,05 | 38,10 | 57,15 | 25,40 | 4,270 | 1,73 | PHS 35-1B80 | | | |
| 84 | 260,35 | A | 18,26 | – | – | – | – | – | 4,270 | 1,48 | PHS 35-1A84 | | |
| | 260,35 | B | – | 19,05 | 38,10 | 57,15 | 25,40 | 4,270 | 1,92 | PHS 35-1B84 | | | |
| 96 | 296,67 | A | 18,26 | – | – | – | – | – | 4,270 | 2,10 | PHS 35-1A96 | | |
| | 296,67 | B | – | 19,05 | 38,10 | 57,15 | 25,40 | 4,270 | 2,34 | PHS 35-1B96 | | | |
| 112 | 345,19 | A | 18,26 | – | – | – | – | – | 4,270 | 2,29 | PHS 35-1A112 | | |
| | 345,19 | B | – | 19,05 | 38,10 | 57,15 | 25,40 | 4,270 | 3,04 | PHS 35-1B112 | | | |
| 12,70 | 1/2 | 6 | 29,72 | B | – | 9,53 | 9,53 | 16,67 | 22,23 | 5,770 | 0,03 | PHS 41-1BH6 | |
| | | | 34,04 | B | – | 9,53 | 9,53 | 19,05 | 22,23 | 5,770 | 0,05 | PHS 41-1BH7 | |
| | | | 38,35 | B | – | 12,70 | 12,70 | 25,00 | 22,23 | 5,770 | 0,09 | PHS 41-1BH8 | |
| | | | 42,42 | B | – | 12,70 | 15,88 | 28,58 | 22,23 | 5,770 | 0,09 | PHS 41-1BH9 | |
| | | | 46,74 | B | – | 12,70 | 19,05 | 31,75 | 22,23 | 5,770 | 0,12 | PHS 41-1BH10 | |
| | | | 50,80 | B | – | 12,70 | 22,23 | 36,51 | 22,23 | 5,770 | 0,16 | PHS 41-1BH11 | |
| | | | 55,12 | B | – | 12,70 | 23,81 | 39,69 | 22,23 | 5,770 | 0,20 | PHS 41-1BH12 | |
| | | | 59,18 | B | – | 12,70 | 25,40 | 39,69 | 22,23 | 5,770 | 0,23 | PHS 41-1BH13 | |
| | | | 63,25 | B | – | 12,70 | 31,75 | 44,45 | 22,23 | 5,770 | 0,26 | PHS 41-1BH14 | |
| | | | 67,31 | A | 15,88 | – | – | – | – | – | 5,770 | 0,13 | PHS 41-1A15 |
| | | | 67,31 | B | – | 12,70 | 33,34 | 55,56 | 22,23 | 5,770 | 0,33 | PHS 41-1B15 | |
| | | | 71,37 | A | 15,88 | – | – | – | – | – | 5,770 | 0,15 | PHS 41-1A16 |
| | | | 71,37 | B | – | 15,88 | 34,93 | 52,39 | 22,23 | 5,770 | 0,41 | PHS 41-1B16 | |
| | | | 75,44 | A | 15,88 | – | – | – | – | – | 5,770 | 0,16 | PHS 41-1A17 |
| | | | 75,44 | B | – | 15,88 | 38,10 | 56,75 | 25,40 | 5,770 | 0,49 | PHS 41-1B17 | |
| | | | 79,76 | A | 15,88 | – | – | – | – | – | 5,770 | 0,20 | PHS 41-1A18 |
| | | | 79,76 | B | – | 15,88 | 41,28 | 60,33 | 25,40 | 5,770 | 0,57 | PHS 41-1B18 | |
| | | | 83,82 | A | 15,88 | – | – | – | – | – | 5,770 | 0,21 | PHS 41-1A19 |

Maximum bores can accommodate standard keyways. Larger bores are available where a shallow keyway is used or no keyway is required. All Type B or C sprockets, up to and including 25 tooth, are with hardened teeth as standard. For any additional size sprockets with hardened teeth, add "H" before the number of teeth, e.g. PHS 25-1BH9.

ANSI sprockets, simplex, pilot bore

ANSI 41-1 · 12,70 mm (1/2") pitch



| Pitch | Number of teeth | Outside diameter | Type | Dimensions | | Hub | Plate thickness | Mass | Designation | | | |
|-------|-----------------|------------------|--------|------------|-------|-------|-----------------|-------|----------------|-------|--------------|--------------|
| | | | | Bore stock | Bore | | | | | | | |
| mm | in. | mm | – | mm | Min. | Max. | H | L | t ₁ | kg | – | |
| 12,70 | 1/2 | 19 | 83,82 | B | – | 15,88 | 44,45 | 62,71 | 25,40 | 5,770 | 0,68 | PHS 41-1BH19 |
| | | | | | 15,88 | – | – | – | – | 5,770 | 0,24 | PHS 41-1A20 |
| | 20 | 87,88 | 87,88 | A | – | 15,88 | 47,63 | 69,85 | 25,40 | 5,770 | 0,74 | PHS 41-1BH20 |
| | | | | | 15,88 | – | – | – | – | 5,770 | 0,27 | PHS 41-1A21 |
| | 21 | 91,95 | 91,95 | A | – | 15,88 | 47,63 | 73,03 | 25,40 | 5,770 | 0,82 | PHS 41-1BH21 |
| | | | | | 15,88 | – | – | – | – | 5,770 | 0,30 | PHS 41-1A22 |
| | 22 | 96,01 | 96,01 | A | – | 15,88 | 50,80 | 76,20 | 25,40 | 5,770 | 0,88 | PHS 41-1BH22 |
| | | | | | 15,88 | – | – | – | – | 5,770 | 0,33 | PHS 41-1A23 |
| | 23 | 100,08 | 100,08 | A | – | 15,88 | 57,15 | 80,96 | 25,40 | 5,770 | 1,02 | PHS 41-1BH23 |
| | | | | | 15,88 | – | – | – | – | 5,770 | 0,37 | PHS 41-1A24 |
| | 24 | 104,14 | 104,14 | A | – | 15,88 | 57,15 | 82,55 | 25,40 | 5,770 | 1,06 | PHS 41-1BH24 |
| | | | | | 15,88 | – | – | – | – | 5,770 | 0,40 | PHS 41-1A25 |
| | 25 | 108,20 | 108,20 | A | – | 15,88 | 57,15 | 82,55 | 25,40 | 5,770 | 1,12 | PHS 41-1BH25 |
| | | | | | 15,88 | – | – | – | – | 5,770 | 0,43 | PHS 41-1A26 |
| | 26 | 112,27 | 112,27 | A | – | 15,88 | 57,15 | 82,55 | 25,40 | 5,770 | 1,13 | PHS 41-1BH26 |
| | | | | | 15,88 | – | – | – | – | 5,770 | 0,45 | PHS 41-1A27 |
| | 27 | 116,33 | 116,33 | A | – | 15,88 | 57,15 | 82,55 | 25,40 | 5,770 | 1,16 | PHS 41-1BH27 |
| | | | | | 15,88 | – | – | – | – | 5,770 | 0,49 | PHS 41-1A28 |
| | 28 | 120,40 | 120,40 | A | – | 15,88 | 57,15 | 82,55 | 25,40 | 5,770 | 1,20 | PHS 41-1BH28 |
| | | | | | 15,88 | – | – | – | – | 5,770 | 0,54 | PHS 41-1A30 |
| | 30 | 128,52 | 128,52 | A | – | 15,08 | 57,15 | 82,55 | 25,40 | 5,770 | 1,27 | PHS 41-1BH30 |
| | | | | | 15,08 | – | – | – | – | 5,770 | 0,65 | PHS 41-1A32 |
| | 32 | 136,65 | 136,65 | A | – | 15,08 | 57,15 | 82,55 | 25,40 | 5,770 | 1,34 | PHS 41-1BH32 |
| | | | | | 15,08 | – | – | – | – | 5,770 | 0,77 | PHS 41-1A35 |
| | 35 | 148,84 | 148,84 | A | – | 15,88 | 60,33 | 82,55 | 25,40 | 5,770 | 1,42 | PHS 41-1BH35 |
| | | | | | 15,08 | – | – | – | – | 5,770 | 0,83 | PHS 41-1A36 |
| | 36 | 152,91 | 152,91 | A | – | 15,88 | 60,33 | 82,55 | 25,40 | 5,770 | 1,51 | PHS 41-1BH36 |
| | | | | | 18,26 | – | – | – | – | 5,770 | 1,01 | PHS 41-1A40 |
| | 40 | 168,91 | 168,91 | A | – | 19,05 | 60,33 | 82,55 | 26,99 | 5,770 | 1,84 | PHS 41-1BH40 |
| | | | | | 18,26 | – | – | – | – | 5,770 | 1,13 | PHS 41-1A42 |
| | 42 | 177,04 | 177,04 | A | – | 19,05 | 60,33 | 88,90 | 26,99 | 5,770 | 1,86 | PHS 41-1BH42 |
| | | | | | 18,26 | – | – | – | – | 5,770 | 1,14 | PHS 41-1A45 |
| 45 | 189,23 | 189,23 | A | – | 19,05 | 60,33 | 88,90 | 26,99 | 5,770 | 1,90 | PHS 41-1BH45 | |
| | | | | 18,26 | – | – | – | – | 5,770 | 1,32 | PHS 41-1A48 | |
| 48 | 201,42 | 201,42 | A | – | 19,05 | 60,33 | 88,90 | 26,99 | 5,770 | 2,23 | PHS 41-1BH48 | |
| | | | | 18,26 | – | – | – | – | 5,770 | 1,61 | PHS 41-1A54 | |
| 54 | 225,55 | 225,55 | A | – | 19,05 | 60,33 | 88,90 | 26,99 | 5,770 | 2,58 | PHS 41-1BH54 | |
| | | | | 18,26 | – | – | – | – | 5,770 | 2,09 | PHS 41-1A60 | |
| 60 | 249,94 | 249,94 | A | – | 19,05 | 60,33 | 88,90 | 26,99 | 5,770 | 3,08 | PHS 41-1BH60 | |
| | | | | 18,26 | – | – | – | – | 5,770 | 2,82 | PHS 41-1A70 | |
| 70 | 290,32 | 290,32 | A | – | 19,05 | 69,85 | 101,60 | 30,16 | 5,770 | 4,33 | PHS 41-1BH70 | |
| | | | | 18,26 | – | – | – | – | 5,770 | 2,87 | PHS 41-1A72 | |
| 72 | 298,45 | 298,45 | A | – | 19,05 | 69,85 | 101,60 | 30,16 | 5,770 | 4,37 | PHS 41-1BH72 | |

Maximum bores can accommodate standard keyways. Larger bores are available where a shallow keyway is used or no keyway is required. All Type B or C sprockets, up to and including 25 tooth, are with hardened teeth as standard. For any additional size sprockets with hardened teeth, add "H" before the number of teeth, e.g. PHS 25-1BH9.

ANSI sprockets, simplex, pilot bore

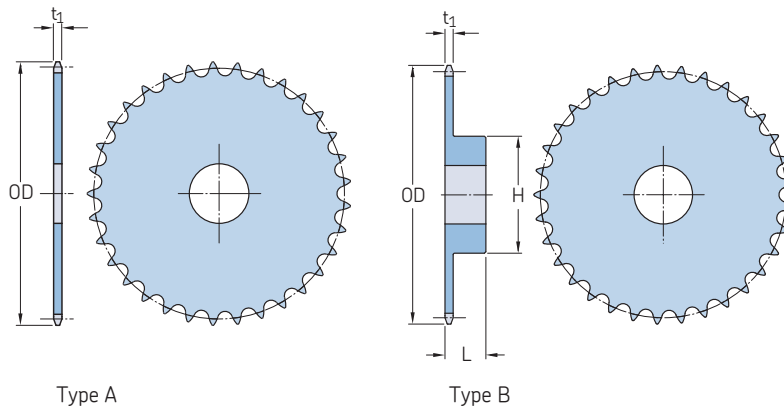
ANSI 41-1 · 12,70 mm (1/2") pitch | ANSI 40-1 · 12,70 mm (1/2") pitch

| Pitch | | Number of teeth | Outside diameter OD | Type | Dimensions | | Hub | | Plate thickness t ₁ | Mass kg | Designation | |
|-------|--------|-----------------|------------------------|-------|------------|-------|-------|--------|-----------------------------------|-------------|-------------|--------------|
| mm | in. | | | | Bore stock | Bore | H | L | | | | Min. |
| 12,70 | 1/2 | 80 | 330,96 | A | 18,26 | – | – | – | 5,770 | 3,84 | PHS 41-1A80 | |
| | | | 330,96 | B | – | 19,05 | 69,85 | 101,60 | 30,16 | 5,770 | 5,23 | PHS 41-1B80 |
| | | 84 | 346,96 | A | 18,26 | – | – | – | – | 5,770 | 4,14 | PHS 41-1A84 |
| | | | 346,96 | B | – | 19,05 | 69,85 | 101,60 | 30,16 | 5,770 | 5,53 | PHS 41-1B84 |
| | | 96 | 395,48 | A | 23,81 | – | – | – | – | 5,770 | 5,37 | PHS 41-1A96 |
| | | | 395,48 | B | – | 25,40 | 69,85 | 101,60 | 30,16 | 5,770 | 6,74 | PHS 41-1B96 |
| | | 112 | 460,25 | A | 23,81 | – | – | – | – | 5,770 | 7,18 | PHS 41-1A112 |
| | | | 460,25 | B | – | 25,40 | 69,85 | 101,60 | 30,16 | 5,770 | 8,69 | PHS 41-1B112 |
| | | 8 | 38,10 | B | – | 12,70 | 12,70 | 24,61 | 22,23 | 7,210 | 0,08 | PHS 40-1BH8 |
| | | 9 | 42,42 | B | – | 12,70 | 14,29 | 26,99 | 22,23 | 7,210 | 0,09 | PHS 40-1BH9 |
| | | 10 | 46,74 | B | – | 12,70 | 19,05 | 31,75 | 22,23 | 7,210 | 0,12 | PHS 40-1BH10 |
| | | 11 | 50,80 | B | – | 12,70 | 22,23 | 34,93 | 22,23 | 7,210 | 0,16 | PHS 40-1BH11 |
| | | 12 | 55,12 | A | 12,70 | – | – | – | – | 7,210 | 0,08 | PHS 40-1A12 |
| | | | 55,12 | B | – | 12,70 | 25,40 | 39,69 | 22,23 | 7,210 | 0,20 | PHS 40-1B12 |
| | | 13 | 59,18 | A | 12,70 | – | – | – | – | 7,210 | 0,10 | PHS 40-1A13 |
| | | | 59,18 | B | – | 12,70 | 26,99 | 39,69 | 22,23 | 7,210 | 0,23 | PHS 40-1B13 |
| | | 14 | 63,25 | A | 12,70 | – | – | – | – | 7,210 | 0,12 | PHS 40-1A14 |
| | | | 63,25 | B | – | 12,70 | 28,58 | 42,86 | 22,23 | 7,210 | 0,27 | PHS 40-1B14 |
| | | 15 | 67,31 | A | 15,88 | – | – | – | – | 7,210 | 0,14 | PHS 40-1A15 |
| | | | 67,31 | B | – | 12,70 | 31,75 | 46,04 | 22,23 | 7,210 | 0,32 | PHS 40-1B15 |
| | | 16 | 71,37 | A | 15,88 | – | – | – | – | 7,210 | 0,15 | PHS 40-1A16 |
| | | | 71,37 | B | – | 15,88 | 34,93 | 50,80 | 22,23 | 7,210 | 0,36 | PHS 40-1B16 |
| | | 17 | 75,69 | A | 15,88 | – | – | – | – | 7,210 | 0,16 | PHS 40-1A17 |
| | | | 75,69 | B | – | 15,88 | 36,51 | 53,98 | 25,40 | 7,210 | 0,47 | PHS 40-1B17 |
| | | 18 | 79,76 | A | 15,88 | – | – | – | – | 7,210 | 0,20 | PHS 40-1A18 |
| | | | 79,76 | B | – | 15,88 | 38,10 | 58,74 | 25,40 | 7,210 | 0,55 | PHS 40-1B18 |
| | | 19 | 83,82 | A | 15,88 | – | – | – | – | 7,210 | 0,21 | PHS 40-1A19 |
| | | | 83,82 | B | – | 15,88 | 44,45 | 63,50 | 25,40 | 7,210 | 0,65 | PHS 40-1B19 |
| | | 20 | 87,88 | A | 15,88 | – | – | – | – | 7,210 | 0,25 | PHS 40-1A20 |
| | | | 87,88 | B | – | 15,88 | 47,63 | 66,68 | 25,40 | 7,210 | 0,71 | PHS 40-1B20 |
| | | 21 | 91,95 | A | 15,88 | – | – | – | – | 7,210 | 0,26 | PHS 40-1A21 |
| | | | 91,95 | B | – | 15,88 | 47,63 | 69,85 | 25,40 | 7,210 | 0,78 | PHS 40-1B21 |
| | | 22 | 96,01 | A | 15,88 | – | – | – | – | 7,210 | 0,30 | PHS 40-1A22 |
| | | | 96,01 | B | – | 15,88 | 47,63 | 73,03 | 25,40 | 7,210 | 0,89 | PHS 40-1B22 |
| 23 | 100,08 | A | 15,88 | – | – | – | – | 7,210 | 0,33 | PHS 40-1A23 | | |
| | 100,08 | B | – | 15,88 | 50,80 | 76,20 | 25,40 | 7,210 | 0,97 | PHS 40-1B23 | | |
| 24 | 104,14 | A | 15,88 | – | – | – | – | 7,210 | 0,37 | PHS 40-1A24 | | |
| | 104,14 | B | – | 15,88 | 57,15 | 82,55 | 25,40 | 7,210 | 1,09 | PHS 40-1B24 | | |
| 25 | 108,20 | A | 15,88 | – | – | – | – | 7,210 | 0,40 | PHS 40-1A25 | | |
| | 108,20 | B | – | 15,88 | 57,15 | 82,55 | 25,40 | 7,210 | 1,15 | PHS 40-1B25 | | |
| 26 | 112,27 | A | 15,88 | – | – | – | – | 7,210 | 0,43 | PHS 40-1A26 | | |
| | 112,27 | B | – | 15,88 | 57,15 | 82,55 | 25,40 | 7,210 | 1,17 | PHS 40-1B26 | | |
| 27 | 116,33 | A | 15,88 | – | – | – | – | 7,210 | 0,44 | PHS 40-1A27 | | |
| | 116,33 | B | – | 15,88 | 57,15 | 82,55 | 25,40 | 7,210 | 1,21 | PHS 40-1B27 | | |
| 28 | 120,40 | A | 15,88 | – | – | – | – | 7,210 | 0,50 | PHS 40-1A28 | | |
| | 120,40 | B | – | 15,88 | 57,15 | 82,55 | 25,40 | 7,210 | 1,24 | PHS 40-1B28 | | |
| 29 | 124,46 | A | 15,08 | – | – | – | – | 7,210 | 0,55 | PHS 40-1A29 | | |
| | 124,46 | B | – | 15,88 | 57,15 | 82,55 | 25,40 | 7,210 | 1,27 | PHS 40-1B29 | | |
| 30 | 128,52 | A | 15,08 | – | – | – | – | 7,210 | 0,57 | PHS 40-1A30 | | |
| | 128,52 | B | – | 15,88 | 57,15 | 82,55 | 25,40 | 7,210 | 1,35 | PHS 40-1B30 | | |
| 31 | 132,59 | A | 15,08 | – | – | – | – | 7,210 | 0,64 | PHS 40-1A31 | | |
| | 132,59 | B | – | 15,88 | 57,15 | 82,55 | 25,40 | 7,210 | 1,41 | PHS 40-1B31 | | |
| 32 | 136,65 | A | 15,08 | – | – | – | – | 7,210 | 0,67 | PHS 40-1A32 | | |
| | 136,65 | B | – | 15,88 | 57,15 | 82,55 | 25,40 | 7,210 | 1,43 | PHS 40-1B32 | | |
| 33 | 140,72 | A | 15,08 | – | – | – | – | 7,210 | 0,71 | PHS 40-1A33 | | |
| | 140,72 | B | – | 15,88 | 57,15 | 82,55 | 25,40 | 7,210 | 1,46 | PHS 40-1B33 | | |
| 34 | 144,78 | A | 15,08 | – | – | – | – | 7,210 | 0,74 | PHS 40-1A34 | | |
| | 144,78 | B | – | 15,88 | 57,15 | 82,55 | 25,40 | 7,210 | 1,50 | PHS 40-1B34 | | |

Maximum bores can accommodate standard keyways. Larger bores are available where a shallow keyway is used or no keyway is required. All Type B or C sprockets, up to and including 25 tooth, are with hardened teeth as standard. For any additional size sprockets with hardened teeth, add "H" before the number of teeth, e.g. PHS 25-1BH9.

ANSI sprockets, simplex, pilot bore

ANSI 40-1 · 12,70 mm (1/2") pitch



| Pitch | Number of teeth | Outside diameter | Type | Dimensions | | Hub | Plate thickness | Mass | Designation | | |
|-------|-----------------|------------------|-------|------------|-------|-------|-----------------|-------|----------------|-------------|-------------|
| | | | | Bore stock | Bore | | | | | | |
| | | OD | | | Min. | Max. | H | L | t ₁ | | |
| mm | in. | mm | | mm | | | | | kg | | |
| 12,70 | 1/2 | 35 | A | 15,08 | - | - | - | - | 7,210 | 0,77 | PHS 40-1A35 |
| | | | B | - | 15,88 | 57,15 | 82,55 | 25,40 | 7,210 | 1,57 | PHS 40-1B35 |
| | 36 | A | 15,08 | - | - | - | - | 7,210 | 0,83 | PHS 40-1A36 | |
| | | B | - | 15,88 | 57,15 | 82,55 | 25,40 | 7,210 | 1,62 | PHS 40-1B36 | |
| | 37 | A | 15,08 | - | - | - | - | 7,210 | 0,87 | PHS 40-1A37 | |
| | | B | - | 15,88 | 57,15 | 82,55 | 25,40 | 7,210 | 1,64 | PHS 40-1B37 | |
| | 38 | A | 15,08 | - | - | - | - | 7,210 | 0,91 | PHS 40-1A38 | |
| | | B | - | 15,88 | 57,15 | 82,55 | 25,40 | 7,210 | 1,68 | PHS 40-1B38 | |
| | 39 | A | 15,08 | - | - | - | - | 7,210 | 0,92 | PHS 40-1A39 | |
| | | B | - | 15,88 | 57,15 | 82,55 | 25,40 | 7,210 | 1,71 | PHS 40-1B39 | |
| | 40 | A | 18,26 | - | - | - | - | 7,210 | 1,01 | PHS 40-1A40 | |
| | | B | - | 19,05 | 60,33 | 88,90 | 28,58 | 7,210 | 2,13 | PHS 40-1B40 | |
| | 41 | A | 18,26 | - | - | - | - | 7,210 | 1,10 | PHS 40-1A41 | |
| | | B | - | 19,05 | 60,33 | 88,90 | 28,58 | 7,210 | 2,16 | PHS 40-1B41 | |
| | 42 | A | 18,26 | - | - | - | - | 7,210 | 1,13 | PHS 40-1A42 | |
| | | B | - | 19,05 | 60,33 | 88,90 | 28,58 | 7,210 | 2,19 | PHS 40-1B42 | |
| | 43 | A | 18,26 | - | - | - | - | 7,210 | 1,27 | PHS 40-1A43 | |
| | | B | - | 19,05 | 60,33 | 88,90 | 28,58 | 7,210 | 2,32 | PHS 40-1B43 | |
| | 44 | A | 18,26 | - | - | - | - | 7,210 | 1,29 | PHS 40-1A44 | |
| | | B | - | 19,05 | 60,33 | 88,90 | 28,58 | 7,210 | 2,34 | PHS 40-1B44 | |
| | 45 | A | 18,26 | - | - | - | - | 7,210 | 1,43 | PHS 40-1A45 | |
| | | B | - | 19,05 | 60,33 | 88,90 | 28,58 | 7,210 | 2,40 | PHS 40-1B45 | |
| | 46 | A | 18,26 | - | - | - | - | 7,210 | 1,48 | PHS 40-1A46 | |
| | | B | - | 19,05 | 60,33 | 88,90 | 28,58 | 7,210 | 2,53 | PHS 40-1B46 | |
| | 47 | A | 18,26 | - | - | - | - | 7,210 | 1,51 | PHS 40-1A47 | |
| | | B | - | 19,05 | 60,33 | 88,90 | 28,58 | 7,210 | 2,47 | PHS 40-1B47 | |
| | 48 | A | 18,26 | - | - | - | - | 7,210 | 1,46 | PHS 40-1A48 | |
| | | B | - | 19,05 | 60,33 | 88,90 | 28,58 | 7,210 | 2,65 | PHS 40-1B48 | |
| | 49 | A | 18,26 | - | - | - | - | 7,210 | 1,56 | PHS 40-1A49 | |
| | | B | - | 19,05 | 60,33 | 88,90 | 28,58 | 7,210 | 2,68 | PHS 40-1B49 | |
| | 50 | A | 18,26 | - | - | - | - | 7,210 | 1,64 | PHS 40-1A50 | |
| | | B | - | 19,05 | 60,33 | 88,90 | 28,58 | 7,210 | 2,70 | PHS 40-1B50 | |
| 51 | A | 18,26 | - | - | - | - | 7,210 | 1,79 | PHS 40-1A51 | | |
| | B | - | 19,05 | 60,33 | 88,90 | 28,58 | 7,210 | 2,76 | PHS 40-1B51 | | |
| 52 | A | 18,26 | - | - | - | - | 7,210 | 1,85 | PHS 40-1A52 | | |
| | B | - | 19,05 | 60,33 | 88,90 | 28,58 | 7,210 | 2,85 | PHS 40-1B52 | | |
| 53 | A | 18,26 | - | - | - | - | 7,210 | 1,83 | PHS 40-1A53 | | |
| | B | - | 19,05 | 60,33 | 88,90 | 28,58 | 7,210 | 2,87 | PHS 40-1B53 | | |
| 54 | A | 18,26 | - | - | - | - | 7,210 | 2,01 | PHS 40-1A54 | | |
| | B | - | 19,05 | 60,33 | 88,90 | 28,58 | 7,210 | 2,91 | PHS 40-1B54 | | |
| 55 | A | 18,26 | - | - | - | - | 7,210 | 2,06 | PHS 40-1A55 | | |
| | B | - | 19,05 | 60,33 | 88,90 | 28,58 | 7,210 | 2,93 | PHS 40-1B55 | | |
| 56 | A | 18,26 | - | - | - | - | 7,210 | 2,20 | PHS 40-1A56 | | |

Maximum bores can accommodate standard keyways. Larger bores are available where a shallow keyway is used or no keyway is required. All Type B or C sprockets, up to and including 25 tooth, are with hardened teeth as standard. For any additional size sprockets with hardened teeth, add "H" before the number of teeth, e.g. PHS 25-1BH9.

ANSI sprockets, simplex, pilot bore

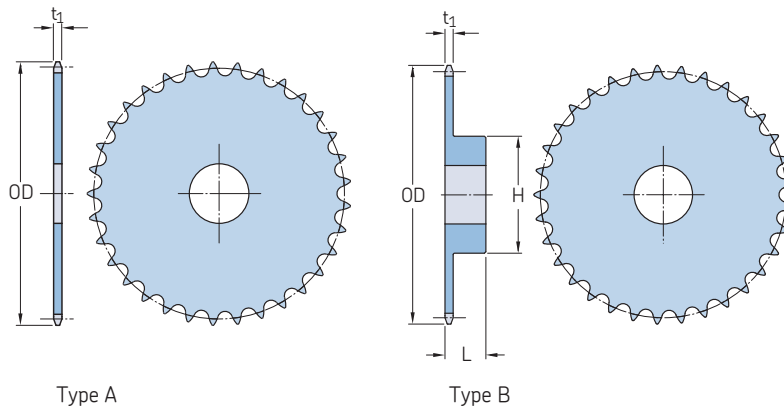
ANSI 40-1 · 12,70 mm (1/2") pitch | ANSI 50-1 · 15,88 mm (5/8") pitch

| Pitch | | Number of teeth | Outside diameter OD | Type | Dimensions | | Hub | | Plate thickness t ₁ | Mass kg | Designation | | | |
|----------------|------------------|-----------------|------------------------|------------|----------------|------------|------------|----------------|-----------------------------------|----------------------------|---------------|------------------------------|--------------|-----------------------------|
| mm | in. | | | | Bore stock | Bore | H | L | | | | | | |
| | | | | | Min. | Max. | | | | | | | | |
| 12,70 | 1/2 | 56 | 233,68 | B | – | 19,05 | 60,33 | 88,90 | 28,58 | 7,210 | 3,13 | PHS 40-1B56 | | |
| | | | 237,74 237,74 | A B | 18,26 – | – 19,05 | – 60,33 | – 88,90 | – 28,58 | 7,210 7,210 | 2,27 3,18 | PHS 40-1A57 PHS 40-1B57 | | |
| | | 58 | 241,81 241,81 | A B | 18,26 – | – 19,05 | – 60,33 | – 88,90 | – 28,58 | 7,210 7,210 | 2,32 3,34 | PHS 40-1A58 PHS 40-1B58 | | |
| | | | 245,87 245,87 | A B | 18,26 – | – 19,05 | – 60,33 | – 88,90 | – 28,58 | 7,210 7,210 | 2,40 3,38 | PHS 40-1A59 PHS 40-1B59 | | |
| | | 60 | 249,94 249,94 | A B | 18,26 – | – 19,05 | – 60,33 | – 88,90 | – 28,58 | 7,210 7,210 | 2,49 3,57 | PHS 40-1A60 PHS 40-1B60 | | |
| | | | 290,32 290,32 | A B | 18,26 – | – 19,05 | – 69,85 | – 101,60 | – 31,75 | 7,210 7,210 | 3,28 4,99 | PHS 40-1A70 PHS 40-1B70 | | |
| | | 72 | 298,45 298,45 | A B | 18,26 – | – 19,05 | – 69,85 | – 101,60 | – 31,75 | 7,210 7,210 | 3,51 5,22 | PHS 40-1A72 PHS 40-1B72 | | |
| | | | 330,96 330,96 | A B | 18,26 – | – 19,05 | – 69,85 | – 101,60 | – 31,75 | 7,210 7,210 | 4,63 6,08 | PHS 40-1A80 PHS 40-1B80 | | |
| | | 84 | 346,96 346,96 | A B | 18,26 – | – 19,05 | – 69,85 | – 101,60 | – 31,75 | 7,210 7,210 | 4,57 6,37 | PHS 40-1A84 PHS 40-1B84 | | |
| | | | 395,48 395,48 | A B | 23,81 – | – 25,40 | – 69,85 | – 101,60 | – 31,75 | 7,210 7,210 | 5,51 7,97 | PHS 40-1A96 PHS 40-1B96 | | |
| | | 112 | 460,25 460,25 | A B | 23,81 – | – 25,40 | – 69,85 | – 101,60 | – 31,75 | 7,210 7,210 | 9,07 10,23 | PHS 40-1A112 PHS 40-1B112 | | |
| | | | 15,88 | 5/8 | 47,75 | B | – | 15,88 | 15,88 | 28,58 | 25,40 | 8,710 | 0,11 | PHS 50-1BH8 |
| | | 53,09 | | | B | – | 15,88 | 19,05 | 34,93 | 25,40 | 8,710 | 0,16 | PHS 50-1BH9 | |
| | | 58,42 | | | B | – | 15,88 | 22,23 | 39,69 | 25,40 | 8,710 | 0,22 | PHS 50-1BH10 | |
| | | 63,50 | | | B | – | 15,88 | 25,40 | 44,45 | 25,40 | 8,710 | 0,29 | PHS 50-1BH11 | |
| | | 12 | | | 68,83 68,83 | A B | 15,88 – | – 15,88 | – 31,75 | – 50,40 | – 25,40 | 8,710 8,710 | 0,15 0,38 | PHS 50-1A12 PHS 50-1BH12 |
| | | | | | 73,91 73,91 | A B | 15,88 – | – 15,88 | – 33,34 | – 47,63 | – 25,40 | 8,710 8,710 | 0,19 0,40 | PHS 50-1A13 PHS 50-1BH13 |
| | | 14 | | | 78,99 78,99 | A B | 15,88 – | – 15,88 | – 36,51 | – 53,98 | – 25,40 | 8,710 8,710 | 0,23 0,51 | PHS 50-1A14 PHS 50-1BH14 |
| 84,33 84,33 | A B | | | | 15,88 – | – 15,88 | – 38,10 | – 60,33 | – 25,40 | 8,710 8,710 | 0,24 0,61 | PHS 50-1A15 PHS 50-1BH15 | | |
| 16 | 89,41 89,41 | A B | | | 15,88 – | – 15,88 | – 44,45 | – 63,50 | – 25,40 | 8,710 8,710 | 0,31 0,68 | PHS 50-1A16 PHS 50-1BH16 | | |
| | 94,49 94,49 | A B | | | 15,88 – | – 15,88 | – 47,63 | – 68,26 | – 25,40 | 8,710 8,710 | 0,34 0,79 | PHS 50-1A17 PHS 50-1BH17 | | |
| 18 | 99,57 99,57 | A B | | | 15,88 – | – 15,88 | – 47,63 | – 73,03 | – 25,40 | 8,710 8,710 | 0,39 0,91 | PHS 50-1A18 PHS 50-1BH18 | | |
| | 104,65 104,65 | A B | | | 15,88 – | – 15,88 | – 50,80 | – 76,20 | – 25,40 | 8,710 8,710 | 0,43 1,01 | PHS 50-1A19 PHS 50-1BH19 | | |
| 20 | 109,73 109,73 | A B | | | 19,05 – | – 19,05 | – 50,80 | – 76,20 | – 25,40 | 8,710 8,710 | 0,48 1,03 | PHS 50-1A20 PHS 50-1BH20 | | |
| | 114,81 114,81 | A B | | | 19,05 – | – 19,05 | – 50,80 | – 76,20 | – 25,40 | 8,710 8,710 | 0,51 1,09 | PHS 50-1A21 PHS 50-1BH21 | | |
| 22 | 119,89 119,89 | A B | | | 19,05 – | – 19,05 | – 50,80 | – 76,20 | – 25,40 | 8,710 8,710 | 0,59 1,16 | PHS 50-1A22 PHS 50-1BH22 | | |
| | 124,97 124,97 | A B | | | 19,05 – | – 19,05 | – 50,80 | – 76,20 | – 25,40 | 8,710 8,710 | 0,65 1,21 | PHS 50-1A23 PHS 50-1BH23 | | |
| 24 | 130,05 130,05 | A B | | | 18,26 – | – 19,05 | – 50,80 | – 76,20 | – 31,75 | 8,710 8,710 | 0,68 1,50 | PHS 50-1A24 PHS 50-1BH24 | | |
| | 135,13 135,13 | A B | | | 18,26 – | – 19,05 | – 50,80 | – 76,20 | – 31,75 | 8,710 8,710 | 0,73 1,54 | PHS 50-1A25 PHS 50-1BH25 | | |
| 26 | 140,21 140,21 | A B | 18,26 – | – 19,05 | – 50,80 | – 76,20 | – 31,75 | 8,710 8,710 | 0,78 1,56 | PHS 50-1A26 PHS 50-1B26 | | | | |
| | 145,29 145,29 | A B | 18,26 – | – 19,05 | – 50,80 | – 76,20 | – 31,75 | 8,710 8,710 | 0,89 1,70 | PHS 50-1A27 PHS 50-1B27 | | | | |

Maximum bores can accommodate standard keyways. Larger bores are available where a shallow keyway is used or no keyway is required. All Type B or C sprockets, up to and including 25 tooth, are with hardened teeth as standard. For any additional size sprockets with hardened teeth, add "H" before the number of teeth, e.g. PHS 25-1BH9.

ANSI sprockets, simplex, pilot bore

ANSI 50-1 · 15,88 mm ($\frac{5}{8}$ " pitch)



| Pitch | Number of teeth | Outside diameter | Type | Dimensions | | Hub | Plate thickness | Mass | Designation | | |
|-------|-----------------|------------------|-------|------------|-------|-------|-----------------|-------|----------------|------|-------------|
| | | | | Bore stock | Bore | | | | | | |
| | | OD | | | Min. | Max. | H | L | t ₁ | | |
| mm | in. | mm | | mm | | | | | kg | | |
| 15,88 | $\frac{5}{8}$ | 28 | A | 18,26 | – | – | – | – | 8,710 | 0,93 | PHS 50-1A28 |
| | | | B | – | 19,05 | 50,80 | 76,20 | 31,75 | 8,710 | 1,72 | PHS 50-1B28 |
| | | 29 | A | 18,26 | – | – | – | – | 8,710 | 1,07 | PHS 50-1A29 |
| | | | B | – | 19,05 | 50,80 | 76,20 | 31,75 | 8,710 | 1,84 | PHS 50-1B29 |
| | | 30 | A | 18,26 | – | – | – | – | 8,710 | 1,15 | PHS 50-1A30 |
| | | | B | – | 19,05 | 57,15 | 82,55 | 31,75 | 8,710 | 2,07 | PHS 50-1B30 |
| | | 31 | A | 18,26 | – | – | – | – | 8,710 | 1,27 | PHS 50-1A31 |
| | | | B | – | 19,05 | 57,15 | 82,55 | 31,75 | 8,710 | 2,15 | PHS 50-1B31 |
| | | 32 | A | 18,26 | – | – | – | – | 8,710 | 1,23 | PHS 50-1A32 |
| | | | B | – | 19,05 | 57,15 | 82,55 | 31,75 | 8,710 | 2,25 | PHS 50-1B32 |
| | | 33 | A | 18,26 | – | – | – | – | 8,710 | 1,42 | PHS 50-1A33 |
| | | | B | – | 19,05 | 57,15 | 82,55 | 31,75 | 8,710 | 2,36 | PHS 50-1B33 |
| | | 34 | A | 18,26 | – | – | – | – | 8,710 | 1,45 | PHS 50-1A34 |
| | | | B | – | 19,05 | 57,15 | 82,55 | 31,75 | 8,710 | 2,33 | PHS 50-1B34 |
| | | 35 | A | 18,26 | – | – | – | – | 8,710 | 1,51 | PHS 50-1A35 |
| | | | B | – | 19,05 | 57,15 | 82,55 | 31,75 | 8,710 | 2,47 | PHS 50-1B35 |
| | | 36 | A | 18,26 | – | – | – | – | 8,710 | 1,73 | PHS 50-1A36 |
| | | | B | – | 19,05 | 57,15 | 82,55 | 31,75 | 8,710 | 2,56 | PHS 50-1B36 |
| | | 37 | A | 18,26 | – | – | – | – | 8,710 | 1,81 | PHS 50-1A37 |
| | | | B | – | 19,05 | 57,15 | 82,55 | 31,75 | 8,710 | 2,68 | PHS 50-1B37 |
| | | 38 | A | 18,26 | – | – | – | – | 8,710 | 1,88 | PHS 50-1A38 |
| | | | B | – | 19,05 | 57,15 | 82,55 | 31,75 | 8,710 | 2,76 | PHS 50-1B38 |
| | | 39 | A | 18,26 | – | – | – | – | 8,710 | 2,00 | PHS 50-1A39 |
| | | | B | – | 19,05 | 57,15 | 82,55 | 31,75 | 8,710 | 2,86 | PHS 50-1B39 |
| | | 40 | A | 18,26 | – | – | – | – | 8,710 | 2,02 | PHS 50-1A40 |
| | | | B | – | 19,05 | 57,15 | 82,55 | 31,75 | 8,710 | 2,95 | PHS 50-1B40 |
| | | 41 | A | 18,26 | – | – | – | – | 8,710 | 2,20 | PHS 50-1A41 |
| | | | B | – | 19,05 | 57,15 | 82,55 | 31,75 | 8,710 | 3,01 | PHS 50-1B41 |
| 42 | A | 18,26 | – | – | – | – | 8,710 | 2,26 | PHS 50-1A42 | | |
| | B | – | 19,05 | 57,15 | 82,55 | 31,75 | 8,710 | 3,16 | PHS 50-1B42 | | |
| 43 | A | 18,26 | – | – | – | – | 8,710 | 2,38 | PHS 50-1A43 | | |
| | B | – | 19,05 | 57,15 | 82,55 | 31,75 | 8,710 | 3,20 | PHS 50-1B43 | | |
| 44 | A | 18,26 | – | – | – | – | 8,710 | 2,46 | PHS 50-1A44 | | |
| | B | – | 19,05 | 57,15 | 82,55 | 31,75 | 8,710 | 3,44 | PHS 50-1B44 | | |
| 45 | A | 18,26 | – | – | – | – | 8,710 | 2,69 | PHS 50-1A45 | | |
| | B | – | 19,05 | 63,50 | 95,25 | 31,75 | 8,710 | 3,89 | PHS 50-1B45 | | |
| 46 | A | 23,81 | – | – | – | – | 8,710 | 2,91 | PHS 50-1A46 | | |
| | B | – | 25,40 | 63,50 | 95,25 | 31,75 | 8,710 | 3,73 | PHS 50-1B46 | | |
| 47 | A | 23,81 | – | – | – | – | 8,710 | 2,95 | PHS 50-1A47 | | |
| | B | – | 25,40 | 63,50 | 95,25 | 31,75 | 8,710 | 3,85 | PHS 50-1B47 | | |
| 48 | A | 23,81 | – | – | – | – | 8,710 | 2,98 | PHS 50-1A48 | | |
| | B | – | 25,40 | 63,50 | 95,25 | 31,75 | 8,710 | 4,21 | PHS 50-1B48 | | |
| 49 | 256,79 | A | 23,81 | – | – | – | 8,710 | 3,20 | PHS 50-1A49 | | |

Maximum bores can accommodate standard keyways. Larger bores are available where a shallow keyway is used or no keyway is required. All Type B or C sprockets, up to and including 25 tooth, are with hardened teeth as standard. For any additional size sprockets with hardened teeth, add "H" before the number of teeth, e.g. PHS 25-1BH9.

ANSI sprockets, simplex, pilot bore

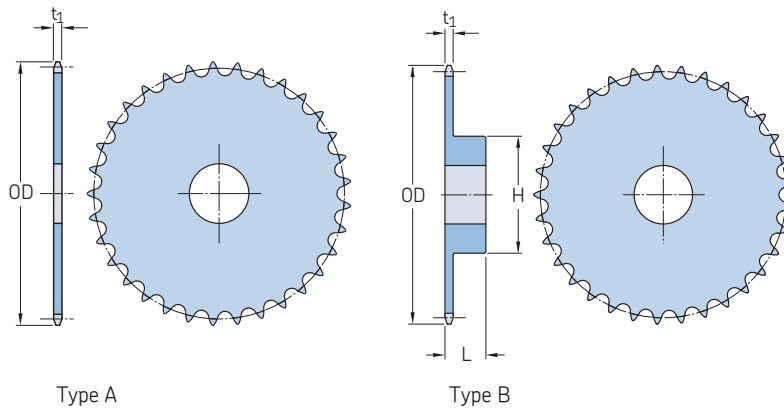
ANSI 50-1 · 15,88 mm (5/8") pitch | ANSI 60-1 · 19,05 mm (3/4") pitch

| Pitch | | Number of teeth | Outside diameter OD | Type | Dimensions Bore stock | Bore | | Hub | | Plate thickness t ₁ | Mass kg | Designation | | |
|-------|------------------|-----------------|------------------------|--------|--------------------------|------------|------------|-------------|------------|-----------------------------------|----------------|------------------------------|--------------|-----------------------------|
| mm | in. | | | | | Min. | Max. | H | L | | | | | |
| 15,88 | 5/8 | 49 | 256,79 | B | – | 25,40 | 63,50 | 95,25 | 31,75 | 8,710 | 4,18 | PHS 50-1B49 | | |
| | | 50 | 261,87 261,87 | A B | 23,81 – | – 25,40 | – 63,50 | – 95,25 | – 31,75 | 8,710 8,710 | 3,22 4,48 | PHS 50-1A50 PHS 50-1B50 | | |
| | | 51 | 266,95 266,95 | A B | 23,81 – | – 25,40 | – 63,50 | – 95,25 | – 31,75 | 8,710 8,710 | 3,32 4,40 | PHS 50-1A51 PHS 50-1B51 | | |
| | | 52 | 272,03 272,03 | A B | 23,81 – | – 25,40 | – 63,50 | – 95,25 | – 31,75 | 8,710 8,710 | 3,62 4,64 | PHS 50-1A52 PHS 50-1B52 | | |
| | | 53 | 277,11 277,11 | A B | 23,81 – | – 25,40 | – 63,50 | – 95,25 | – 31,75 | 8,710 8,710 | 3,67 4,75 | PHS 50-1A53 PHS 50-1B53 | | |
| | | 54 | 282,19 282,19 | A B | 23,81 – | – 25,40 | – 63,50 | – 95,25 | – 31,75 | 8,710 8,710 | 3,76 4,99 | PHS 50-1A54 PHS 50-1B54 | | |
| | | 55 | 287,27 287,27 | A B | 23,81 – | – 25,40 | – 63,50 | – 95,25 | – 31,75 | 8,710 8,710 | 3,88 4,96 | PHS 50-1A55 PHS 50-1B55 | | |
| | | 56 | 292,10 292,10 | A B | 23,81 – | – 25,40 | – 63,50 | – 95,25 | – 31,75 | 8,710 8,710 | 4,04 5,22 | PHS 50-1A56 PHS 50-1B56 | | |
| | | 57 | 297,18 297,18 | A B | 23,81 – | – 25,40 | – 63,50 | – 95,25 | – 31,75 | 8,710 8,710 | 4,25 5,44 | PHS 50-1A57 PHS 50-1B57 | | |
| | | 58 | 302,26 302,26 | A B | 23,81 – | – 25,40 | – 63,50 | – 95,25 | – 31,75 | 8,710 8,710 | 4,67 5,36 | PHS 50-1A58 PHS 50-1B58 | | |
| | | 59 | 307,34 307,34 | A B | 23,81 – | – 25,40 | – 63,50 | – 95,25 | – 31,75 | 8,710 8,710 | 4,76 5,59 | PHS 50-1A59 PHS 50-1B59 | | |
| | | 60 | 312,42 312,42 | A B | 23,81 – | – 25,40 | – 63,50 | – 95,25 | – 31,75 | 8,710 8,710 | 4,90 5,90 | PHS 50-1A60 PHS 50-1B60 | | |
| | | 70 | 362,97 362,97 | A B | 23,81 – | – 25,40 | – 63,50 | – 95,25 | – 44,45 | 8,710 8,710 | 6,35 8,24 | PHS 50-1A70 PHS 50-1B70 | | |
| | | 72 | 373,13 373,13 | A B | 23,81 – | – 25,40 | – 63,50 | – 95,25 | – 44,45 | 8,710 8,710 | 6,91 8,84 | PHS 50-1A72 PHS 50-1B72 | | |
| | | 76 | 393,45 393,45 | A B | 23,81 – | – 25,40 | – 63,50 | – 95,25 | – 44,45 | 8,710 8,710 | 9,11 9,53 | PHS 50-1A76 PHS 50-1B76 | | |
| | | 80 | 413,51 413,51 | A B | 23,81 – | – 25,40 | – 69,85 | – 107,95 | – 44,45 | 8,710 8,710 | 9,53 11,22 | PHS 50-1A80 PHS 50-1B80 | | |
| | | 84 | 433,83 433,83 | A B | 23,81 – | – 25,40 | – 69,85 | – 107,95 | – 44,45 | 8,710 8,710 | 10,02 11,57 | PHS 50-1A84 PHS 50-1B84 | | |
| | | 95 | 489,46 489,46 | A B | 23,81 – | – 25,40 | – 69,85 | – 107,95 | – 44,45 | 8,710 8,710 | 12,25 14,51 | PHS 50-1A95 PHS 50-1B95 | | |
| | | 96 | 494,54 494,54 | A B | 23,81 – | – 25,40 | – 69,85 | – 107,95 | – 44,45 | 8,710 8,710 | 12,43 14,93 | PHS 50-1A96 PHS 50-1B96 | | |
| | | 112 | 575,31 575,31 | A B | 23,81 – | – 25,40 | – 69,85 | – 107,95 | – 44,45 | 8,710 8,710 | 17,10 19,05 | PHS 50-1A112 PHS 50-1B112 | | |
| | | 19,05 | 3/4 | 8 | 57,40 | B | – | 15,88 | 15,88 | 37,31 | 31,75 | 11,660 | 0,24 | PHS 60-1BH8 |
| | | | | 9 | 63,75 | B | – | 19,05 | 22,23 | 39,69 | 31,75 | 11,660 | 0,29 | PHS 60-1BH9 |
| | | | | 10 | 70,10 70,10 | A B | 19,05 – | – 19,05 | – 28,58 | – 49,21 | – 31,75 | 11,660 11,660 | 0,20 0,45 | PHS 60-1A10 PHS 60-1BH10 |
| | | | | 11 | 76,20 76,20 | A B | 19,05 – | – 19,05 | – 33,34 | – 52,39 | – 31,75 | 11,660 11,660 | 0,24 0,53 | PHS 60-1A11 PHS 60-1BH11 |
| 12 | 82,55 82,55 | | | A B | 19,05 – | – 19,05 | – 34,93 | – 60,33 | – 31,75 | 11,660 11,660 | 0,31 0,67 | PHS 60-1A12 PHS 60-1BH12 | | |
| 13 | 88,65 88,65 | | | A B | 19,05 – | – 19,05 | – 38,10 | – 59,53 | – 31,75 | 11,660 11,660 | 0,36 0,75 | PHS 60-1A13 PHS 60-1BH13 | | |
| 14 | 95,00 95,00 | | | A B | 19,05 – | – 19,05 | – 44,45 | – 65,09 | – 31,75 | 11,660 11,660 | 0,43 0,91 | PHS 60-1A14 PHS 60-1BH14 | | |
| 15 | 101,09 101,09 | | | A B | 19,05 – | – 19,05 | – 47,63 | – 73,03 | – 31,75 | 11,660 11,660 | 0,49 1,14 | PHS 60-1A15 PHS 60-1BH15 | | |
| 16 | 107,19 107,19 | | | A B | 19,05 – | – 19,05 | – 50,80 | – 77,79 | – 31,75 | 11,660 11,660 | 0,56 1,27 | PHS 60-1A16 PHS 60-1BH16 | | |
| 17 | 113,28 113,28 | | | A B | 19,05 – | – 19,05 | – 57,15 | – 82,55 | – 31,75 | 11,660 11,660 | 0,65 1,46 | PHS 60-1A17 PHS 60-1BH17 | | |
| 18 | 119,38 | | | A | 19,05 | – | – | – | – | – | 11,660 | 0,73 | PHS 60-1A18 | |

Maximum bores can accommodate standard keyways. Larger bores are available where a shallow keyway is used or no keyway is required. All Type B or C sprockets, up to and including 25 tooth, are with hardened teeth as standard. For any additional size sprockets with hardened teeth, add "H" before the number of teeth, e.g. PHS 25-1BH9.

ANSI sprockets, simplex, pilot bore

ANSI 60-1 · 19,05 mm (3/4") pitch



| Pitch | Number of teeth | Outside diameter | Type | Dimensions | | Hub | Plate thickness | Mass | Designation | | | |
|-------|-----------------|------------------|--------|------------|-------|-------|-----------------|--------|--------------|--------|--------------|--------------|
| | | | | Bore stock | Bore | | | | | | | |
| mm | in. | mm | | mm | Min. | Max. | t ₁ | kg | | | | |
| 19,05 | 3/4 | 119,38 | B | – | 19,05 | 60,33 | 88,90 | 31,75 | 11,660 | 1,69 | PHS 60-1BH18 | |
| | | | A | 19,05 | – | – | – | – | 11,660 | 0,83 | PHS 60-1A19 | |
| | B | – | 19,05 | 60,33 | 88,90 | 31,75 | 11,660 | 1,78 | PHS 60-1BH19 | | | |
| | 20 | 131,83 | 131,83 | A | 19,05 | – | – | – | – | 11,660 | 0,96 | PHS 60-1A20 |
| | | | | B | – | 19,05 | 66,68 | 98,43 | 31,75 | 11,660 | 2,10 | PHS 60-1BH20 |
| | 21 | 137,92 | 137,92 | A | 19,05 | – | – | – | – | 11,660 | 1,03 | PHS 60-1A21 |
| | | | | B | – | 19,05 | 69,85 | 101,60 | 31,75 | 11,660 | 2,27 | PHS 60-1BH21 |
| | 22 | 144,02 | 144,02 | A | 19,05 | – | – | – | – | 11,660 | 1,12 | PHS 60-1A22 |
| | | | | B | – | 19,05 | 69,85 | 101,60 | 31,75 | 11,660 | 2,38 | PHS 60-1BH22 |
| | 23 | 150,11 | 150,11 | A | 19,05 | – | – | – | – | 11,660 | 1,22 | PHS 60-1A23 |
| | | | | B | – | 19,05 | 69,85 | 101,60 | 31,75 | 11,660 | 2,49 | PHS 60-1BH23 |
| | 24 | 156,21 | 156,21 | A | 18,26 | – | – | – | – | 11,660 | 1,36 | PHS 60-1A24 |
| | | | | B | – | 19,05 | 69,85 | 101,60 | 31,75 | 11,660 | 2,62 | PHS 60-1BH24 |
| | 25 | 162,31 | 162,31 | A | 18,26 | – | – | – | – | 11,660 | 1,51 | PHS 60-1A25 |
| | | | | B | – | 19,05 | 69,85 | 101,60 | 31,75 | 11,660 | 2,78 | PHS 60-1BH25 |
| | 26 | 168,40 | 168,40 | A | 18,26 | – | – | – | – | 11,660 | 1,61 | PHS 60-1A26 |
| | | | | B | – | 19,05 | 69,85 | 101,60 | 31,75 | 11,660 | 2,89 | PHS 60-1B26 |
| | 27 | 174,50 | 174,50 | A | 18,26 | – | – | – | – | 11,660 | 1,80 | PHS 60-1A27 |
| | | | | B | – | 19,05 | 69,85 | 101,60 | 31,75 | 11,660 | 3,05 | PHS 60-1B27 |
| | 28 | 180,59 | 180,59 | A | 18,26 | – | – | – | – | 11,660 | 1,88 | PHS 60-1A28 |
| | | | | B | – | 19,05 | 69,85 | 101,60 | 31,75 | 11,660 | 3,12 | PHS 60-1B28 |
| | 29 | 186,69 | 186,69 | A | 18,26 | – | – | – | – | 11,660 | 2,00 | PHS 60-1A29 |
| | | | | B | – | 19,05 | 69,85 | 101,60 | 31,75 | 11,660 | 3,30 | PHS 60-1B29 |
| | 30 | 192,79 | 192,79 | A | 18,26 | – | – | – | – | 11,660 | 2,17 | PHS 60-1A30 |
| | | | | B | – | 19,05 | 69,85 | 101,60 | 31,75 | 11,660 | 3,44 | PHS 60-1B30 |
| | 31 | 198,88 | 198,88 | A | 18,26 | – | – | – | – | 11,660 | 2,38 | PHS 60-1A31 |
| | | | | B | – | 19,05 | 69,85 | 101,60 | 31,75 | 11,660 | 3,50 | PHS 60-1B31 |
| | 32 | 204,98 | 204,98 | A | 18,26 | – | – | – | – | 11,660 | 2,50 | PHS 60-1A32 |
| | | | | B | – | 19,05 | 69,85 | 101,60 | 31,75 | 11,660 | 3,75 | PHS 60-1B32 |
| | 33 | 210,82 | 210,82 | A | 23,81 | – | – | – | – | 11,660 | 2,66 | PHS 60-1A33 |
| | | | | B | – | 25,40 | 69,85 | 101,60 | 31,75 | 11,660 | 3,82 | PHS 60-1B33 |
| | 34 | 216,92 | 216,92 | A | 23,81 | – | – | – | – | 11,660 | 2,79 | PHS 60-1A34 |
| | | | | B | – | 25,40 | 69,85 | 101,60 | 31,75 | 11,660 | 3,99 | PHS 60-1B34 |
| | 35 | 223,01 | 223,01 | A | 23,81 | – | – | – | – | 11,660 | 3,08 | PHS 60-1A35 |
| | | | | B | – | 25,40 | 69,85 | 101,60 | 31,75 | 11,660 | 4,10 | PHS 60-1B35 |
| | 36 | 229,11 | 229,11 | A | 23,81 | – | – | – | – | 11,660 | 3,09 | PHS 60-1A36 |
| | | | | B | – | 25,40 | 69,85 | 101,60 | 31,75 | 11,660 | 4,35 | PHS 60-1B36 |
| | 37 | 235,20 | 235,20 | A | 23,81 | – | – | – | – | 11,660 | 3,41 | PHS 60-1A37 |
| | | | | B | – | 25,40 | 69,85 | 101,60 | 31,75 | 11,660 | 4,64 | PHS 60-1B37 |
| 38 | 241,30 | 241,30 | A | 23,81 | – | – | – | – | 11,660 | 3,56 | PHS 60-1A38 | |
| | | | B | – | 25,40 | 69,85 | 107,95 | 31,75 | 11,660 | 4,92 | PHS 60-1B38 | |
| 39 | 247,40 | 247,40 | A | 23,81 | – | – | – | – | 11,660 | 3,76 | PHS 60-1A39 | |
| | | | B | – | 25,40 | 69,85 | 107,95 | 31,75 | 11,660 | 5,15 | PHS 60-1B39 | |

Maximum bores can accommodate standard keyways. Larger bores are available where a shallow keyway is used or no keyway is required. All Type B or C sprockets, up to and including 25 tooth, are with hardened teeth as standard. For any additional size sprockets with hardened teeth, add "H" before the number of teeth, e.g. PHS 25-1BH9.

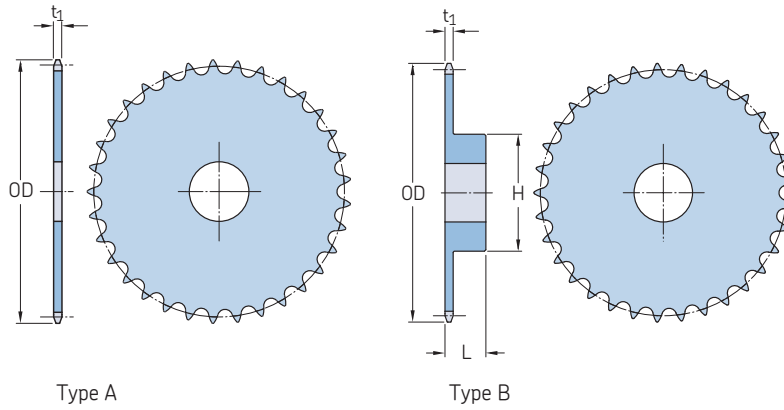
ANSI sprockets, simplex, pilot bore
ANSI 60-1 · 19,05 mm ($\frac{3}{4}$ " pitch)

| Pitch | | Number of teeth | Outside diameter OD | Type | Dimensions | | Hub | | | Plate thickness t_1 | Mass kg | Designation | |
|-------|---------------|-----------------|------------------------|-------|------------|--------|-------|--------|--------|--------------------------|-------------|-------------|-------------|
| mm | in. | | | | Bore stock | Bore | H | L | Min. | | | | Max. |
| 19,05 | $\frac{3}{4}$ | 40 | 253,49 | A | 23,81 | – | – | – | – | 11,660 | 3,88 | PHS 60-1A40 | |
| | | | 253,49 | B | – | 25,40 | 69,85 | 107,95 | 31,75 | 11,660 | 5,22 | PHS 60-1B40 | |
| | | 41 | 259,59 | A | 23,81 | – | – | – | – | – | 11,660 | 4,13 | PHS 60-1A41 |
| | | | 259,59 | B | – | 25,40 | 69,85 | 107,95 | 31,75 | 11,660 | 5,51 | PHS 60-1B41 | |
| | | 42 | 265,68 | A | 23,81 | – | – | – | – | – | 11,660 | 4,46 | PHS 60-1A42 |
| | | | 265,68 | B | – | 25,40 | 69,85 | 107,95 | 31,75 | 11,660 | 5,78 | PHS 60-1B42 | |
| | | 43 | 271,78 | A | 23,81 | – | – | – | – | – | 11,660 | 4,42 | PHS 60-1A43 |
| | | | 271,78 | B | – | 25,40 | 69,85 | 107,95 | 31,75 | 11,660 | 5,90 | PHS 60-1B43 | |
| | | 44 | 277,88 | A | 23,81 | – | – | – | – | – | 11,660 | 4,88 | PHS 60-1A44 |
| | | | 277,88 | B | – | 23,81 | 69,85 | 107,95 | 31,75 | 11,660 | 6,30 | PHS 60-1B44 | |
| | | 45 | 283,97 | A | 23,81 | – | – | – | – | – | 11,660 | 5,03 | PHS 60-1A45 |
| | | | 283,97 | B | – | 23,81 | 69,85 | 107,95 | 31,75 | 11,660 | 6,34 | PHS 60-1B45 | |
| | | 46 | 290,07 | A | 23,81 | – | – | – | – | – | 11,660 | 5,22 | PHS 60-1A46 |
| | | | 290,07 | B | – | 23,81 | 69,85 | 107,95 | 31,75 | 11,660 | 6,62 | PHS 60-1B46 | |
| | | 47 | 295,91 | A | 23,81 | – | – | – | – | – | 11,660 | 5,59 | PHS 60-1A47 |
| | | | 295,91 | B | – | 23,81 | 69,85 | 107,95 | 31,75 | 11,660 | 6,80 | PHS 60-1B47 | |
| | | 48 | 302,01 | A | 23,81 | – | – | – | – | – | 11,660 | 5,63 | PHS 60-1A48 |
| | | | 302,01 | B | – | 23,81 | 69,85 | 107,95 | 31,75 | 11,660 | 7,18 | PHS 60-1B48 | |
| | | 49 | 308,10 | A | 23,81 | – | – | – | – | – | 11,660 | 5,86 | PHS 60-1A49 |
| | | | 308,10 | B | – | 23,81 | 69,85 | 107,95 | 31,75 | 11,660 | 7,21 | PHS 60-1B49 | |
| | | 50 | 314,20 | A | 23,81 | – | – | – | – | – | 11,660 | 6,34 | PHS 60-1A50 |
| | | | 314,20 | B | – | 23,81 | 69,85 | 107,95 | 31,75 | 11,660 | 8,01 | PHS 60-1B50 | |
| | | 51 | 320,29 | A | 23,81 | – | – | – | – | – | 11,660 | 6,61 | PHS 60-1A51 |
| | | | 320,29 | B | – | 23,81 | 69,85 | 107,95 | 31,75 | 11,660 | 7,70 | PHS 60-1B51 | |
| | | 52 | 326,39 | A | 23,81 | – | – | – | – | – | 11,660 | 6,62 | PHS 60-1A52 |
| | | | 326,39 | B | – | 23,81 | 69,85 | 107,95 | 31,75 | 11,660 | 8,13 | PHS 60-1B52 | |
| | | 53 | 332,49 | A | 23,81 | – | – | – | – | – | 11,660 | 7,18 | PHS 60-1A53 |
| | | | 332,49 | B | – | 23,81 | 69,85 | 107,95 | 31,75 | 11,660 | 8,16 | PHS 60-1B53 | |
| | | 54 | 338,58 | A | 23,81 | – | – | – | – | – | 11,660 | 7,22 | PHS 60-1A54 |
| | | | 338,58 | B | – | 23,81 | 69,85 | 107,95 | 44,45 | 11,660 | 9,80 | PHS 60-1B54 | |
| | | 55 | 344,68 | A | 31,75 | – | – | – | – | – | 11,660 | 7,69 | PHS 60-1A55 |
| | | | 344,68 | B | – | 31,75 | 69,85 | 107,95 | 44,45 | 11,660 | 9,59 | PHS 60-1B55 | |
| | | 56 | 350,77 | A | 31,75 | – | – | – | – | – | 11,660 | 7,98 | PHS 60-1A56 |
| | | | 350,77 | B | – | 31,75 | 69,85 | 107,95 | 44,45 | 11,660 | 9,92 | PHS 60-1B56 | |
| | | 57 | 356,62 | A | 31,75 | – | – | – | – | – | 11,660 | 7,99 | PHS 60-1A57 |
| | | | 356,62 | B | – | 31,75 | 69,85 | 107,95 | 44,45 | 11,660 | 10,10 | PHS 60-1B57 | |
| | | 58 | 362,71 | A | 31,75 | – | – | – | – | – | 11,660 | 8,62 | PHS 60-1A58 |
| | | | 362,71 | B | – | 31,75 | 69,85 | 107,95 | 44,45 | 11,660 | 10,34 | PHS 60-1B58 | |
| | | 59 | 368,81 | A | 31,75 | – | – | – | – | – | 11,660 | 8,71 | PHS 60-1A59 |
| | | | 368,81 | B | – | 31,75 | 69,85 | 107,95 | 44,45 | 11,660 | 10,82 | PHS 60-1B59 | |
| 60 | 374,90 | A | 31,75 | – | – | – | – | – | 11,660 | 9,08 | PHS 60-1A60 | | |
| | 374,90 | B | – | 31,75 | 69,85 | 107,95 | 44,45 | 11,660 | 11,44 | PHS 60-1B60 | | | |
| 64 | 399,29 | A | 31,75 | – | – | – | – | – | 11,660 | 10,43 | PHS 60-1A64 | | |
| | 399,29 | B | – | 31,75 | 69,85 | 107,95 | 44,45 | 11,660 | 12,43 | PHS 60-1B64 | | | |
| 65 | 405,38 | A | 31,75 | – | – | – | – | – | 11,660 | 10,54 | PHS 60-1A65 | | |
| | 405,38 | B | – | 31,75 | 69,85 | 107,95 | 44,45 | 11,660 | 13,12 | PHS 60-1B65 | | | |
| 66 | – | A | 31,75 | – | – | – | – | – | 11,660 | 11,08 | PHS 60-1A66 | | |
| 68 | 423,42 | A | 31,75 | – | – | – | – | – | 11,660 | 11,58 | PHS 60-1A68 | | |
| | 423,42 | B | – | 31,75 | 69,85 | 107,95 | 44,45 | 11,660 | 13,78 | PHS 60-1B68 | | | |
| 70 | 435,61 | A | 31,75 | – | – | – | – | – | 11,660 | 12,34 | PHS 60-1A70 | | |
| | 435,61 | B | – | 31,75 | 69,85 | 107,95 | 44,45 | 11,660 | 14,51 | PHS 60-1B70 | | | |
| 72 | 447,80 | A | 31,75 | – | – | – | – | – | 11,660 | 13,11 | PHS 60-1A72 | | |
| | 447,80 | B | – | 31,75 | 69,85 | 107,95 | 50,80 | 11,660 | 15,50 | PHS 60-1B72 | | | |
| 76 | 471,93 | A | 31,75 | – | – | – | – | – | 11,660 | 14,67 | PHS 60-1A76 | | |
| | 471,93 | B | – | 31,75 | 69,85 | 107,95 | 50,80 | 11,660 | 17,26 | PHS 60-1B76 | | | |
| 80 | 496,32 | A | 31,75 | – | – | – | – | – | 11,660 | 20,64 | PHS 60-1A80 | | |
| | 496,32 | B | – | 31,75 | 69,85 | 107,95 | 50,80 | 11,660 | 19,00 | PHS 60-1B80 | | | |
| 84 | 520,45 | A | 31,75 | – | – | – | – | – | 11,660 | 18,23 | PHS 60-1A84 | | |
| | 520,45 | B | – | 31,75 | 82,55 | 120,65 | 50,80 | 11,660 | 21,07 | PHS 60-1B84 | | | |

Maximum bores can accommodate standard keyways. Larger bores are available where a shallow keyway is used or no keyway is required. All Type B or C sprockets, up to and including 25 tooth, are with hardened teeth as standard. For any additional size sprockets with hardened teeth, add "H" before the number of teeth, e.g. PHS 25-1BH9.

ANSI sprockets, simplex, pilot bore

ANSI 60-1 · 19,05 mm (3/4") pitch | ANSI 80-1 · 25,40 mm (1") pitch



| Pitch | Number of teeth | Outside diameter OD | Type | Dimensions | | Hub H | Hub L | Plate thickness t ₁ | Mass | Designation | |
|-------|-----------------|------------------------|-------|---------------|-------------------|----------|----------|-----------------------------------|--------------|--------------|--------------|
| | | | | Bore stock | Bore Min. Max. | | | | | | |
| mm | in. | mm | | mm | | | | kg | | | |
| 19,05 | 3/4 | 90 | A | 31,75 | – | – | – | 11,660 | 19,70 | PHS 60-1A90 | |
| | | | B | – | 31,75 | 84,14 | 127,00 | 57,15 | 11,660 | 28,67 | PHS 60-1B90 |
| | 96 | A | 31,75 | – | – | – | 11,660 | 23,60 | PHS 60-1A96 | | |
| | | B | – | 31,75 | 95,25 | 139,70 | 57,15 | 11,660 | 28,61 | PHS 60-1B96 | |
| | 112 | A | 31,75 | – | – | – | 11,660 | 32,11 | PHS 60-1A112 | | |
| | | B | – | 31,75 | 95,25 | 139,70 | 57,15 | 11,660 | 37,09 | PHS 60-1B112 | |
| 25,40 | 1 | 8 | B | – | 25,40 | 25,40 | 49,21 | 41,28 | 14,600 | 0,64 | PHS 80-1BH8 |
| | | | A | 23,81 | – | – | – | 14,600 | 0,36 | PHS 80-1A9 | |
| | | 9 | A | 23,81 | – | – | – | 14,600 | 0,73 | PHS 80-1A9 | |
| | | | B | – | 25,40 | 33,34 | 57,15 | 41,28 | 14,600 | 0,73 | PHS 80-1BH9 |
| | | 10 | A | 23,81 | – | – | – | 14,600 | 0,45 | PHS 80-1A10 | |
| | | | B | – | 25,40 | 38,10 | 65,09 | 41,28 | 14,600 | 1,00 | PHS 80-1BH10 |
| | | 11 | A | 23,81 | – | – | – | 14,600 | 0,59 | PHS 80-1A11 | |
| | | | B | – | 25,40 | 41,28 | 71,44 | 41,28 | 14,600 | 1,45 | PHS 80-1BH11 |
| | | 12 | A | 23,81 | – | – | – | 14,600 | 0,68 | PHS 80-1A12 | |
| | | | B | – | 25,40 | 47,63 | 79,38 | 41,28 | 14,600 | 1,54 | PHS 80-1BH12 |
| | | 13 | A | 23,81 | – | – | – | 14,600 | 0,82 | PHS 80-1A13 | |
| | | | B | – | 25,40 | 50,80 | 76,20 | 38,10 | 14,600 | 1,59 | PHS 80-1BH13 |
| | | 14 | A | 23,81 | – | – | – | 14,600 | 1,00 | PHS 80-1A14 | |
| | | | B | – | 25,40 | 57,15 | 82,55 | 38,10 | 14,600 | 1,86 | PHS 80-1BH14 |
| | | 15 | A | 23,81 | – | – | – | 14,600 | 1,13 | PHS 80-1A15 | |
| | | | B | – | 25,40 | 63,50 | 96,84 | 38,10 | 14,600 | 2,40 | PHS 80-1BH15 |
| | | 16 | A | 23,81 | – | – | – | 14,600 | 1,32 | PHS 80-1A16 | |
| | | | B | – | 25,40 | 69,85 | 101,60 | 38,10 | 14,600 | 2,68 | PHS 80-1BH16 |
| | | 17 | A | 23,81 | – | – | – | 14,600 | 1,50 | PHS 80-1A17 | |
| | | | B | – | 25,40 | 69,85 | 101,60 | 38,10 | 14,600 | 2,99 | PHS 80-1BH17 |
| | | 18 | A | 23,81 | – | – | – | 14,600 | 1,68 | PHS 80-1A18 | |
| | | | B | – | 25,40 | 69,85 | 107,95 | 38,10 | 14,600 | 3,31 | PHS 80-1BH18 |
| | | 19 | A | 23,81 | – | – | – | 14,600 | 1,86 | PHS 80-1A19 | |
| | | | B | – | 25,40 | 69,85 | 107,95 | 38,10 | 14,600 | 3,54 | PHS 80-1BH19 |
| | | 20 | A | 23,81 | – | – | – | 14,600 | 2,13 | PHS 80-1A20 | |
| | | | B | – | 25,40 | 69,85 | 107,95 | 38,10 | 14,600 | 3,81 | PHS 80-1BH20 |
| 21 | A | 23,81 | – | – | – | 14,600 | 2,22 | PHS 80-1A21 | | | |
| | B | – | 25,40 | 69,85 | 107,95 | 44,45 | 14,600 | 4,26 | PHS 80-1BH21 | | |
| 22 | A | 23,81 | – | – | – | 14,600 | 2,49 | PHS 80-1A22 | | | |
| | B | – | 25,40 | 69,85 | 107,95 | 44,45 | 14,600 | 4,54 | PHS 80-1BH22 | | |
| 23 | A | 23,81 | – | – | – | 14,600 | 2,86 | PHS 80-1A23 | | | |
| | B | – | 25,40 | 69,85 | 107,95 | 44,45 | 14,600 | 4,85 | PHS 80-1BH23 | | |
| 24 | A | 23,81 | – | – | – | 14,600 | 3,04 | PHS 80-1A24 | | | |
| | B | – | 25,40 | 69,85 | 107,95 | 44,45 | 14,600 | 5,13 | PHS 80-1BH24 | | |
| 25 | A | 23,81 | – | – | – | 14,600 | 3,27 | PHS 80-1A25 | | | |
| | B | – | 25,40 | 69,85 | 107,95 | 44,45 | 14,600 | 5,40 | PHS 80-1BH25 | | |
| 26 | A | 30,16 | – | – | – | 14,600 | 3,54 | PHS 80-1A26 | | | |
| | B | – | 31,75 | 82,55 | 120,65 | 50,80 | 14,600 | 6,49 | PHS 80-1B26 | | |

Maximum bores can accommodate standard keyways. Larger bores are available where a shallow keyway is used or no keyway is required. All Type B or C sprockets, up to and including 25 tooth, are with hardened teeth as standard. For any additional size sprockets with hardened teeth, add "H" before the number of teeth, e.g. PHS 25-1BH9.

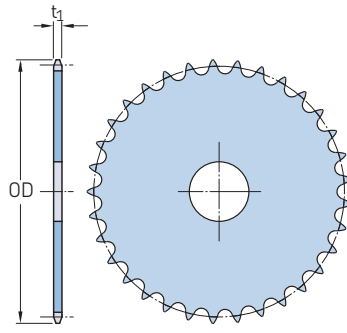
ANSI sprockets, simplex, pilot bore
ANSI 80-1 · 25,40 mm (1") pitch

| Pitch | | Number of teeth | Outside diameter OD | Type | Dimensions | | Hub | | Plate thickness t ₁ | Mass | Designation |
|-------|-----|-----------------|------------------------|--------|------------|------------|------------|-----------------|-----------------------------------|----------------|----------------------------|
| mm | in. | | | | Bore stock | Bore | H | L | | | |
| 25,40 | 1 | 27 | 232,66 232,66 | A B | 30,16 – | – 31,75 | – 82,55 | 120,65 50,80 | 14,600 14,600 | 3,90 6,99 | PHS 80-1A27 PHS 80-1B27 |
| | | 28 | 240,79 240,79 | A B | 30,16 – | – 31,75 | – 82,55 | 120,65 50,80 | 14,600 14,600 | 4,22 7,26 | PHS 80-1A28 PHS 80-1B28 |
| | | 29 | 248,92 248,92 | A B | 30,16 – | – 30,16 | – 82,55 | 120,65 50,80 | 14,600 14,600 | 4,45 7,76 | PHS 80-1A29 PHS 80-1B29 |
| | | 30 | 256,79 256,79 | A B | 30,16 – | – 30,16 | – 82,55 | 120,65 50,80 | 14,600 14,600 | 4,85 7,89 | PHS 80-1A30 PHS 80-1B30 |
| | | 31 | 264,92 264,92 | A B | 30,16 – | – 30,16 | – 82,55 | 120,65 50,80 | 14,600 14,600 | 5,13 8,48 | PHS 80-1A31 PHS 80-1B31 |
| | | 32 | 273,05 273,05 | A B | 30,16 – | – 30,16 | – 82,55 | 120,65 50,80 | 14,600 14,600 | 5,49 8,85 | PHS 80-1A32 PHS 80-1B32 |
| | | 33 | 281,18 281,18 | A B | 30,16 – | – 30,16 | – 82,55 | 120,65 50,80 | 14,600 14,600 | 6,17 8,89 | PHS 80-1A33 PHS 80-1B33 |
| | | 34 | 289,31 289,31 | A B | 30,16 – | – 30,16 | – 82,55 | 120,65 50,80 | 14,600 14,600 | 6,49 9,66 | PHS 80-1A34 PHS 80-1B34 |
| | | 35 | 297,43 297,43 | A B | 30,16 – | – 30,16 | – 82,55 | 120,65 50,80 | 14,600 14,600 | 6,71 10,02 | PHS 80-1A35 PHS 80-1B35 |
| | | 36 | 305,56 305,56 | A B | 30,16 – | – 30,16 | – 82,55 | 120,65 50,80 | 14,600 14,600 | 7,30 10,48 | PHS 80-1A36 PHS 80-1B36 |
| | | 37 | 313,69 313,69 | A B | 30,16 – | – 30,16 | – 82,55 | 120,65 50,80 | 14,600 14,600 | 7,62 10,80 | PHS 80-1A37 PHS 80-1B37 |
| | | 38 | 321,82 321,82 | A B | 30,16 – | – 30,16 | – 82,55 | 120,65 50,80 | 14,600 14,600 | 7,80 11,20 | PHS 80-1A38 PHS 80-1B38 |
| | | 39 | 329,95 329,95 | A B | 30,16 – | – 30,16 | – 82,55 | 120,65 50,80 | 14,600 14,600 | 8,12 11,61 | PHS 80-1A39 PHS 80-1B39 |
| | | 40 | 338,07 338,07 | A B | 30,16 – | – 30,16 | – 82,55 | 120,65 50,80 | 14,600 14,600 | 8,57 12,11 | PHS 80-1A40 PHS 80-1B40 |
| | | 41 | 346,20 346,20 | A B | 31,75 – | – 31,75 | – 82,55 | 120,65 50,80 | 14,600 14,600 | 9,53 12,61 | PHS 80-1A41 PHS 80-1B41 |
| | | 42 | 354,08 354,08 | A B | 31,75 – | – 31,75 | – 82,55 | 120,65 50,80 | 14,600 14,600 | 9,89 13,02 | PHS 80-1A42 PHS 80-1B42 |
| | | 43 | 362,20 362,20 | A B | 31,75 – | – 31,75 | – 82,55 | 120,65 50,80 | 14,600 14,600 | 10,70 13,34 | PHS 80-1A43 PHS 80-1B43 |
| | | 44 | 370,33 370,33 | A B | 31,75 – | – 31,75 | – 82,55 | 120,65 50,80 | 14,600 14,600 | 11,02 13,56 | PHS 80-1A44 PHS 80-1B44 |
| | | 45 | 378,46 378,46 | A B | 31,75 – | – 31,75 | – 82,55 | 120,65 50,80 | 14,600 14,600 | 11,43 14,24 | PHS 80-1A45 PHS 80-1B45 |
| | | 46 | 386,59 386,59 | A B | 31,75 – | – 31,75 | – 82,55 | 120,65 50,80 | 14,600 14,600 | 12,07 15,01 | PHS 80-1A46 PHS 80-1B46 |
| | | 47 | 394,72 394,72 | A B | 31,75 – | – 31,75 | – 82,55 | 120,65 50,80 | 14,600 14,600 | 11,97 15,42 | PHS 80-1A47 PHS 80-1B47 |
| | | 48 | 402,84 402,84 | A B | 31,75 – | – 31,75 | – 82,55 | 120,65 50,80 | 14,600 14,600 | 12,61 16,10 | PHS 80-1A48 PHS 80-1B48 |
| | | 49 | 410,97 410,97 | A B | 31,75 – | – 31,75 | – 82,55 | 120,65 50,80 | 14,600 14,600 | 13,11 16,24 | PHS 80-1A49 PHS 80-1B49 |
| | | 50 | 419,10 419,10 | A B | 31,75 – | – 31,75 | – 82,55 | 120,65 50,80 | 14,600 14,600 | 14,02 16,92 | PHS 80-1A50 PHS 80-1B50 |
| | | 51 | 426,97 426,97 | A B | 31,75 – | – 31,75 | – 82,55 | 120,65 50,80 | 14,600 14,600 | 14,61 17,51 | PHS 80-1A51 PHS 80-1B51 |
| | | 52 | 435,10 435,10 | A B | 31,75 – | – 31,75 | – 82,55 | 120,65 50,80 | 14,600 14,600 | 14,97 17,87 | PHS 80-1A52 PHS 80-1B52 |
| | | 53 | 443,23 443,23 | A B | 31,75 – | – 31,75 | – 82,55 | 120,65 50,80 | 14,600 14,600 | 15,83 18,73 | PHS 80-1A53 PHS 80-1B53 |
| | | 54 | 451,36 451,36 | A B | 31,75 – | – 31,75 | – 88,90 | 133,35 50,80 | 14,600 14,600 | 16,60 20,28 | PHS 80-1A54 PHS 80-1B54 |
| | | 55 | 459,49 459,49 | A B | 31,75 – | – 31,75 | – 88,90 | 133,35 50,80 | 14,600 14,600 | 17,01 20,68 | PHS 80-1A55 PHS 80-1B55 |
| | | 56 | 467,61 | A | 31,75 | – | – | – | 14,600 | 17,87 | PHS 80-1A56 |

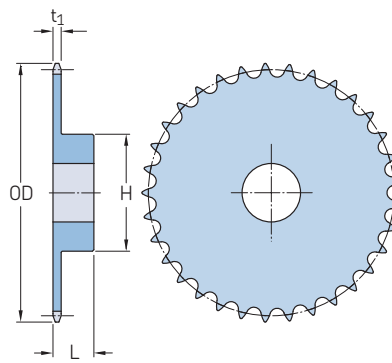
Maximum bores can accommodate standard keyways. Larger bores are available where a shallow keyway is used or no keyway is required. All Type B or C sprockets, up to and including 25 tooth, are with hardened teeth as standard. For any additional size sprockets with hardened teeth, add "H" before the number of teeth, e.g. PHS 25-1BH9.

ANSI sprockets, simplex, pilot bore

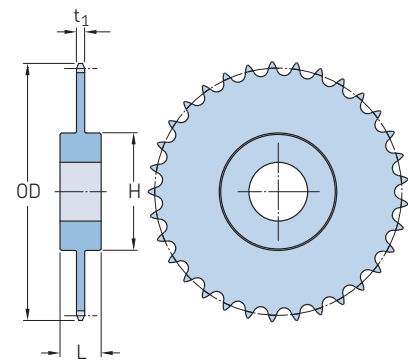
ANSI 80-1 · 25,40 mm (1") pitch | ANSI 100-1 · 31,75 mm (1¼") pitch



Type A



Type B



Type C

| Pitch | Number of teeth | Outside diameter OD | Type | Dimensions | | Hub H | Hub L | Plate thickness t ₁ | Mass | Designation | | | |
|-------|-----------------|------------------------|--------|---------------|-------------------|----------|----------|-----------------------------------|--------|-------------|---------------|-------------|---------------|
| | | | | Bore stock | Bore Min. Max. | | | | | | | | |
| mm | in. | mm | – | mm | mm | mm | mm | mm | kg | – | | | |
| 25,40 | 1 | 56 | 467,61 | B | – | 31,75 | 88,90 | 133,35 | 50,80 | 14,600 | 21,55 | PHS 80-1B56 | |
| | | | | A | 31,75 | – | – | – | – | 14,600 | 18,33 | PHS 80-1A57 | |
| | 57 | 475,74 | 475,74 | B | – | 31,75 | 88,90 | 133,35 | 50,80 | 14,600 | 22,00 | PHS 80-1B57 | |
| | | | | A | 31,75 | – | – | – | – | 14,600 | 18,73 | PHS 80-1A58 | |
| | 58 | 483,62 | 483,62 | B | – | 31,75 | 88,90 | 133,35 | 50,80 | 14,600 | 22,91 | PHS 80-1B58 | |
| | | | | A | 31,75 | – | – | – | – | 14,600 | 19,46 | PHS 80-1A59 | |
| | 59 | 491,74 | 491,74 | B | – | 31,75 | 88,90 | 133,35 | 50,80 | 14,600 | 23,63 | PHS 80-1B59 | |
| | | | | A | 31,75 | – | – | – | – | 14,600 | 20,55 | PHS 80-1A60 | |
| | 60 | 499,87 | 499,87 | B | – | 31,75 | 88,90 | 133,35 | 50,80 | 14,600 | 24,72 | PHS 80-1B60 | |
| | | | | A | 31,75 | – | – | – | – | 14,600 | 23,68 | PHS 80-1A65 | |
| | 65 | 540,26 | 540,26 | B | – | 31,75 | 88,90 | 133,35 | 50,80 | 14,600 | 28,03 | PHS 80-1B65 | |
| | | | | A | 31,75 | – | – | – | – | 14,600 | 27,12 | PHS 80-1A70 | |
| | 70 | 580,90 | 580,90 | C | – | 38,10 | 107,95 | 158,75 | 88,90 | 14,600 | 34,34 | PHS 80-1C70 | |
| | | | | A | 38,10 | – | – | – | – | 14,600 | 29,80 | PHS 80-1A72 | |
| | 72 | 596,90 | 596,90 | C | – | 38,10 | 107,95 | 158,75 | 88,90 | 14,600 | 36,92 | PHS 80-1C72 | |
| | | | | A | 38,10 | – | – | – | – | 14,600 | 31,84 | PHS 80-1A76 | |
| | 76 | 629,41 | 629,41 | C | – | 38,10 | 107,95 | 158,75 | 88,90 | 14,600 | 39,83 | PHS 80-1C76 | |
| | | | | A | 38,10 | – | – | – | – | 14,600 | 36,11 | PHS 80-1A80 | |
| | 80 | 661,67 | 661,67 | C | – | 38,10 | 107,95 | 158,75 | 88,90 | 14,600 | 40,78 | PHS 80-1C80 | |
| | | | | A | 38,10 | – | – | – | – | 14,600 | 39,05 | PHS 80-1A84 | |
| 84 | 694,18 | 694,18 | C | – | 38,10 | 107,95 | 158,75 | 88,90 | 14,600 | 45,00 | PHS 80-1C84 | | |
| | | | A | 38,10 | – | – | – | – | 14,600 | 45,81 | PHS 80-1A90 | | |
| 90 | 742,70 | 742,70 | C | – | 38,10 | 107,95 | 158,75 | 88,90 | 14,600 | 48,08 | PHS 80-1C90 | | |
| | | | A | 38,10 | – | – | – | – | 14,600 | 54,43 | PHS 80-1A96 | | |
| 96 | 791,21 | 791,21 | C | – | 38,10 | 107,95 | 158,75 | 88,90 | 14,600 | 53,07 | PHS 80-1C96 | | |
| | | | A | 38,10 | – | – | – | – | 14,600 | 74,84 | PHS 80-1A112 | | |
| 112 | 920,50 | 920,50 | C | – | 38,10 | 107,95 | 158,75 | 88,90 | 14,600 | 69,85 | PHS 80-1C112 | | |
| | | | A | 38,10 | – | – | – | – | 14,600 | 0,54 | PHS 100-1A7 | | |
| 31,75 | 1¼ | 7 | 85,09 | A | 25,40 | – | – | – | – | 17,580 | 0,54 | PHS 100-1A7 | |
| | | | | B | 25,40 | – | – | – | – | 17,580 | 0,64 | PHS 100-1A8 | |
| | | 8 | 95,76 | 95,76 | B | – | 25,40 | 31,75 | 61,91 | 47,63 | 17,580 | 1,04 | PHS 100-1BH8 |
| | | | | | A | 25,40 | – | – | – | – | 17,580 | 0,73 | PHS 100-1A9 |
| | | 9 | 106,17 | 106,17 | B | – | 25,40 | 41,28 | 71,44 | 47,63 | 17,580 | 1,45 | PHS 100-1BH9 |
| | | | | | A | 25,40 | – | – | – | – | 17,580 | 0,91 | PHS 100-1A10 |
| | | 10 | 116,84 | 116,84 | B | – | 25,40 | 47,63 | 82,55 | 47,63 | 17,580 | 1,86 | PHS 100-1BH10 |
| | | | | | A | 31,75 | – | – | – | – | 17,580 | 1,13 | PHS 100-1A11 |
| | | 11 | 127,25 | 127,25 | B | – | 25,40 | 57,15 | 90,49 | 47,63 | 17,580 | 2,40 | PHS 100-1BH11 |
| | | | | | A | 31,75 | – | – | – | – | 17,580 | 1,36 | PHS 100-1A12 |
| | | 12 | 137,67 | 137,67 | B | – | 25,40 | 57,15 | 101,60 | 47,63 | 17,580 | 2,90 | PHS 100-1BH12 |
| | | | | | A | 31,75 | – | – | – | – | 17,580 | 1,59 | PHS 100-1A13 |
| | | 13 | 147,83 | 147,83 | B | – | 25,40 | 60,33 | 98,43 | 41,28 | 17,580 | 2,99 | PHS 100-1BH13 |
| | | | | | A | 31,75 | – | – | – | – | 17,580 | 1,86 | PHS 100-1A14 |
| 14 | 158,24 | 158,24 | B | – | 31,75 | 69,85 | 106,36 | 41,28 | 17,580 | 3,36 | PHS 100-1BH14 | | |
| | | | A | 31,75 | – | – | – | – | 17,580 | 1,86 | PHS 100-1A14 | | |

Maximum bores can accommodate standard keyways. Larger bores are available where a shallow keyway is used or no keyway is required. All Type B or C sprockets, up to and including 25 tooth, are with hardened teeth as standard. For any additional size sprockets with hardened teeth, add "H" before the number of teeth, e.g. PHS 25-1BH9.

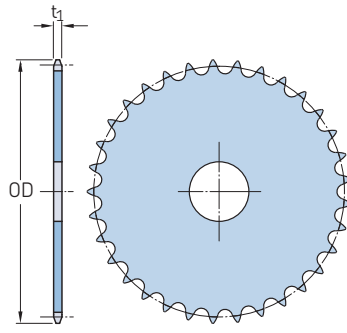
ANSI sprockets, simplex, pilot bore
ANSI 100-1 · 31,75 mm (1¼") pitch

| Pitch | | Number of teeth | Outside diameter OD | Type | Dimensions | | | Hub | | Plate thickness t ₁ | Mass | Designation |
|-------|--------|-----------------|------------------------|-------|------------|--------|-------|--------|-------|-----------------------------------|-------|---------------|
| mm | in. | | | | Bore stock | Bore | | H | L | | | |
| | | | | | mm | Min. | Max. | | | kg | | |
| 31,75 | 1¼ | 15 | 168,40 | A | 31,75 | – | – | – | – | 17,580 | 2,13 | PHS 100-1A15 |
| | | | 168,40 | B | – | 31,75 | 76,20 | 114,30 | 44,45 | 17,580 | 4,17 | PHS 100-1BH15 |
| | | 16 | 178,56 | A | 31,75 | – | – | – | – | 17,580 | 2,45 | PHS 100-1A16 |
| | | | 178,56 | B | – | 33,34 | 76,20 | 114,30 | 44,45 | 17,580 | 4,49 | PHS 100-1BH16 |
| | | 17 | 188,98 | A | 31,75 | – | – | – | – | 17,580 | 2,77 | PHS 100-1A17 |
| | | | 188,98 | B | – | 33,34 | 76,20 | 114,30 | 44,45 | 17,580 | 4,90 | PHS 100-1BH17 |
| | | 18 | 199,14 | A | 31,75 | – | – | – | – | 17,580 | 3,18 | PHS 100-1A18 |
| | | | 199,14 | B | – | 33,34 | 76,20 | 114,30 | 44,45 | 17,580 | 5,22 | PHS 100-1BH18 |
| | | 19 | 209,30 | A | 31,75 | – | – | – | – | 17,580 | 3,54 | PHS 100-1A19 |
| | | | 209,30 | B | – | 33,34 | 76,20 | 114,30 | 50,80 | 17,580 | 5,94 | PHS 100-1BH19 |
| | | 20 | 219,46 | A | 31,75 | – | – | – | – | 17,580 | 3,99 | PHS 100-1A20 |
| | | | 219,46 | B | – | 33,34 | 76,20 | 114,30 | 50,80 | 17,580 | 6,44 | PHS 100-1BH20 |
| | | 21 | 229,62 | A | 31,75 | – | – | – | – | 17,580 | 4,45 | PHS 100-1A21 |
| | | | 229,62 | B | – | 33,34 | 76,20 | 114,30 | 50,80 | 17,580 | 6,94 | PHS 100-1BH21 |
| | | 22 | 239,78 | A | 31,75 | – | – | – | – | 17,580 | 4,76 | PHS 100-1A22 |
| | | | 239,78 | B | – | 33,34 | 76,20 | 114,30 | 50,80 | 17,580 | 7,30 | PHS 100-1BH22 |
| | | 23 | 249,94 | A | 31,75 | – | – | – | – | 17,580 | 5,35 | PHS 100-1A23 |
| | | | 249,94 | B | – | 31,75 | 76,20 | 114,30 | 50,80 | 17,580 | 7,80 | PHS 100-1BH23 |
| | | 24 | 260,35 | A | 31,75 | – | – | – | – | 17,580 | 5,81 | PHS 100-1A24 |
| | | | 260,35 | B | – | 31,75 | 76,20 | 114,30 | 50,80 | 17,580 | 8,71 | PHS 100-1BH24 |
| | | 25 | 270,51 | A | 31,75 | – | – | – | – | 17,580 | 6,30 | PHS 100-1A25 |
| | | | 270,51 | B | – | 31,75 | 76,20 | 114,30 | 50,80 | 17,580 | 8,85 | PHS 100-1BH25 |
| | | 26 | 280,67 | A | 31,75 | – | – | – | – | 17,580 | 6,80 | PHS 100-1A26 |
| | | | 280,67 | B | – | 31,75 | 84,14 | 127,00 | 50,80 | 17,580 | 9,84 | PHS 100-1B26 |
| | | 27 | 290,58 | A | 31,75 | – | – | – | – | 17,580 | 7,26 | PHS 100-1A27 |
| | | | 290,58 | B | – | 31,75 | 84,14 | 127,00 | 50,80 | 17,580 | 10,43 | PHS 100-1B27 |
| | | 28 | 300,74 | A | 31,75 | – | – | – | – | 17,580 | 7,89 | PHS 100-1A28 |
| | | | 300,74 | B | – | 31,75 | 84,14 | 127,00 | 50,80 | 17,580 | 11,07 | PHS 100-1B28 |
| | | 29 | 310,90 | A | 31,75 | – | – | – | – | 17,580 | 8,89 | PHS 100-1A29 |
| | | | 310,90 | B | – | 31,75 | 84,14 | 127,00 | 50,80 | 17,580 | 11,34 | PHS 100-1B29 |
| | | 30 | 321,06 | A | 31,75 | – | – | – | – | 17,580 | 9,12 | PHS 100-1A30 |
| | | | 321,06 | B | – | 31,75 | 84,14 | 127,00 | 50,80 | 17,580 | 12,20 | PHS 100-1B30 |
| | | 31 | 331,22 | A | 31,75 | – | – | – | – | 17,580 | 9,75 | PHS 100-1A31 |
| | | 32 | 341,38 | A | 31,75 | – | – | – | – | 17,580 | 10,25 | PHS 100-1A32 |
| | | | 341,38 | B | – | 31,75 | 84,14 | 127,00 | 50,80 | 17,580 | 13,52 | PHS 100-1B32 |
| | | 33 | 351,54 | A | 31,75 | – | – | – | – | 17,580 | 10,93 | PHS 100-1A33 |
| | | 34 | 361,70 | A | 31,75 | – | – | – | – | 17,580 | 11,79 | PHS 100-1A34 |
| | | 35 | 371,86 | A | 31,75 | – | – | – | – | 17,580 | 12,34 | PHS 100-1A35 |
| | | | 371,86 | B | – | 31,75 | 84,14 | 127,00 | 63,50 | 17,580 | 16,74 | PHS 100-1B35 |
| | | 36 | 382,02 | A | 31,75 | – | – | – | – | 17,580 | 13,61 | PHS 100-1A36 |
| | | | 382,02 | B | – | 31,75 | 84,14 | 127,00 | 63,50 | 17,580 | 17,51 | PHS 100-1B36 |
| | | 37 | 392,18 | A | 31,75 | – | – | – | – | 17,580 | 14,06 | PHS 100-1A37 |
| | | 38 | 402,34 | A | 31,75 | – | – | – | – | 17,580 | 14,97 | PHS 100-1A38 |
| | | | 402,34 | B | – | 31,75 | 84,14 | 127,00 | 63,50 | 17,580 | 18,82 | PHS 100-1B38 |
| | | 39 | 412,24 | A | 31,75 | – | – | – | – | 17,580 | 15,88 | PHS 100-1A39 |
| | | | 412,24 | B | – | 31,75 | 84,14 | 127,00 | 63,50 | 17,580 | 19,78 | PHS 100-1B39 |
| 40 | 422,40 | A | 31,75 | – | – | – | – | 17,580 | 16,33 | PHS 100-1A40 | | |
| | 422,40 | B | – | 31,75 | 84,14 | 127,00 | 63,50 | 17,580 | 21,27 | PHS 100-1B40 | | |
| 41 | 432,56 | A | 31,75 | – | – | – | – | 17,580 | 17,69 | PHS 100-1A41 | | |
| 42 | 442,72 | A | 31,75 | – | – | – | – | 17,580 | 18,14 | PHS 100-1A42 | | |
| | 442,72 | B | – | 31,75 | 84,14 | 127,00 | 63,50 | 17,580 | 22,86 | PHS 100-1B42 | | |
| 43 | 452,88 | A | 38,10 | – | – | – | – | 17,580 | 19,50 | PHS 100-1A43 | | |
| 44 | 463,04 | A | 38,10 | – | – | – | – | 17,580 | 20,41 | PHS 100-1A44 | | |
| 45 | 473,20 | A | 38,10 | – | – | – | – | 17,580 | 21,32 | PHS 100-1A45 | | |
| | 473,20 | B | – | 38,10 | 84,14 | 127,00 | 63,50 | 17,580 | 24,49 | PHS 100-1B45 | | |
| 46 | 483,11 | A | 38,10 | – | – | – | – | 17,580 | 21,77 | PHS 100-1A46 | | |

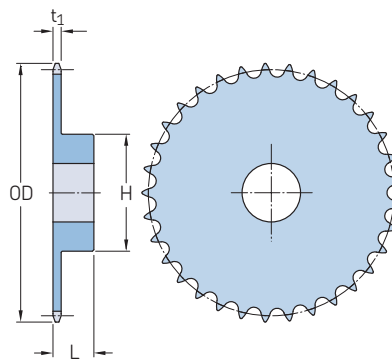
Maximum bores can accommodate standard keyways. Larger bores are available where a shallow keyway is used or no keyway is required. All Type B or C sprockets, up to and including 25 tooth, are with hardened teeth as standard. For any additional size sprockets with hardened teeth, add "H" before the number of teeth, e.g. PHS 25-1BH9.

ANSI sprockets, simplex, pilot bore

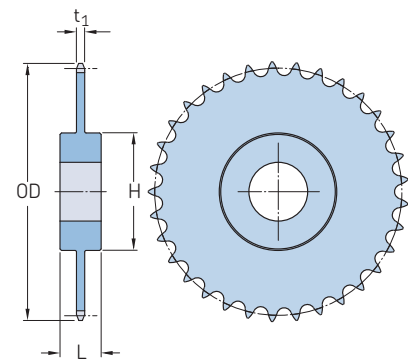
ANSI 100-1 · 31,75 mm (1¼") pitch | ANSI 120-1 · 38,10 mm (1½") pitch



Type A



Type B



Type C

| Pitch | Number of teeth | Outside diameter OD | Type | Dimensions | | Hub H | Hub L | Plate thickness t ₁ | Mass | Designation |
|-------|-----------------|------------------------|--------|---------------|-------------------|----------|----------|-----------------------------------|---------------|--------------|
| | | | | Bore stock | Bore Min. Max. | | | | | |
| mm | in. | mm | - | mm | mm | mm | mm | mm | kg | - |
| 31,75 | 1¼ | 47 | A | 38,10 | - | - | - | 17,580 | 23,59 | PHS 100-1A47 |
| | | | B | 38,10 | 38,10 | 101,60 | 152,40 | 63,50 | 17,580 | 24,49 |
| | | 48 | A | 38,10 | - | - | - | 17,580 | 25,40 | PHS 100-1A49 |
| | | B | 38,10 | 38,10 | 101,60 | 152,40 | 63,50 | 17,580 | 25,85 | PHS 100-1A50 |
| | | 49 | A | 38,10 | - | - | - | 17,580 | 28,58 | PHS 100-1A51 |
| | | 50 | A | 38,10 | - | - | - | 17,580 | 29,03 | PHS 100-1A52 |
| | | 51 | A | 38,10 | - | - | - | 17,580 | 29,12 | PHS 100-1A53 |
| | | 52 | A | 38,10 | - | - | - | 17,580 | 30,84 | PHS 100-1A54 |
| | | 53 | A | 38,10 | - | - | - | 17,580 | 35,38 | PHS 100-1C54 |
| | | 54 | A | 38,10 | - | - | - | 17,580 | 31,75 | PHS 100-1A55 |
| | | 55 | A | 38,10 | - | - | - | 17,580 | 32,66 | PHS 100-1A56 |
| | | 56 | A | 38,10 | - | - | - | 17,580 | 34,38 | PHS 100-1A57 |
| | | 57 | A | 38,10 | - | - | - | 17,580 | 34,47 | PHS 100-1A58 |
| | | 58 | A | 38,10 | - | - | - | 17,580 | 34,93 | PHS 100-1A59 |
| | | 59 | A | 38,10 | - | - | - | 17,580 | 36,29 | PHS 100-1A60 |
| | | 60 | A | 38,10 | - | - | - | 17,580 | 40,37 | PHS 100-1C60 |
| | | 70 | A | 38,10 | - | - | - | 17,580 | 51,26 | PHS 100-1A70 |
| | | C | 38,10 | 38,10 | 133,35 | 177,80 | 95,25 | 17,580 | 56,70 | PHS 100-1C70 |
| | | 72 | A | 38,10 | - | - | - | 17,580 | 53,98 | PHS 100-1A72 |
| | | C | 38,10 | 38,10 | 133,35 | 177,80 | 95,25 | 17,580 | 60,78 | PHS 100-1C72 |
| | | 76 | A | 38,10 | - | - | - | 17,580 | 60,33 | PHS 100-1A76 |
| | | C | 38,10 | 38,10 | 133,35 | 177,80 | 95,25 | 17,580 | 64,86 | PHS 100-1C76 |
| | | 80 | A | 38,10 | - | - | - | 17,580 | 66,22 | PHS 100-1A80 |
| | | C | 38,10 | 38,10 | 133,35 | 177,80 | 95,25 | 17,580 | 68,49 | PHS 100-1C80 |
| 84 | A | 38,10 | - | - | - | 17,580 | 73,48 | PHS 100-1A84 | | |
| C | 38,10 | 38,10 | 133,35 | 177,80 | 95,25 | 17,580 | 77,11 | PHS 100-1C84 | | |
| 90 | A | 38,10 | - | - | - | 17,580 | 87,54 | PHS 100-1A90 | | |
| C | 38,10 | 38,10 | 133,35 | 177,80 | 95,25 | 17,580 | 83,46 | PHS 100-1C90 | | |
| 96 | A | 38,10 | - | - | - | 17,580 | 97,52 | PHS 100-1A96 | | |
| C | 38,10 | 38,10 | 133,35 | 177,80 | 114,30 | 17,580 | 92,08 | PHS 100-1C96 | | |
| 38,10 | 1½ | 8 | A | 31,75 | - | - | - | 23,470 | 1,09 | PHS 120-1A8 |
| | | | B | 31,75 | 34,93 | 46,04 | 85,73 | 57,15 | 23,470 | 1,36 |
| | | 9 | A | 31,75 | - | - | - | 23,470 | 2,40 | PHS 120-1BH9 |
| | | B | 31,75 | 34,93 | 57,15 | 95,25 | 57,15 | 23,470 | 1,72 | PHS 120-1A10 |
| | | A | 31,75 | - | - | - | 23,470 | 3,22 | PHS 120-1BH10 | |
| | | B | 31,75 | 34,93 | 57,15 | 95,25 | 57,15 | 23,470 | 1,72 | PHS 120-1A10 |
| 11 | A | 31,75 | - | - | - | 23,470 | 2,18 | PHS 120-1A11 | | |
| B | 31,75 | 34,93 | 60,33 | 90,49 | 53,98 | 23,470 | 3,45 | PHS 120-1BH11 | | |
| 12 | A | 31,75 | - | - | - | 23,470 | 2,63 | PHS 120-1A12 | | |

Maximum bores can accommodate standard keyways. Larger bores are available where a shallow keyway is used or no keyway is required. All Type B or C sprockets, up to and including 25 tooth, are with hardened teeth as standard. For any additional size sprockets with hardened teeth, add "H" before the number of teeth, e.g. PHS 25-1BH9.

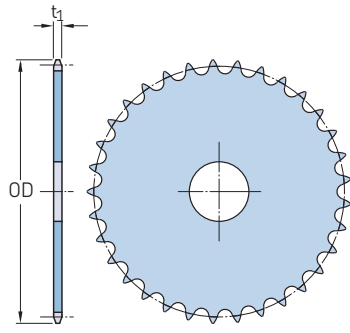
ANSI sprockets, simplex, pilot bore
ANSI 120-1 · 38,10 mm (1½") pitch

| Pitch | | Number of teeth | Outside diameter OD | Type | Dimensions | | | Hub | | Plate thickness t ₁ | Mass kg | Designation |
|-------|--------|-----------------|------------------------|-------|------------|--------------|--------------|--------|--------|-----------------------------------|------------|---------------|
| mm | in. | | | | Bore stock | Bore Min. | Bore Max. | H | L | | | |
| 38,10 | 1½ | 12 | 165,10 | B | – | 34,93 | 69,85 | 104,78 | 53,98 | 23,470 | 4,49 | PHS 120-1BH12 |
| | | 13 | 177,55 | A | 31,75 | – | – | – | – | 23,470 | 3,04 | PHS 120-1A13 |
| | | | 177,55 | B | – | 34,93 | 76,20 | 115,89 | 57,15 | 23,470 | 5,62 | PHS 120-1BH13 |
| | | 14 | 189,74 | A | 31,75 | – | – | – | – | 23,470 | 3,63 | PHS 120-1A14 |
| | | | 189,74 | B | – | 34,93 | 82,55 | 120,65 | 57,15 | 23,470 | 6,53 | PHS 120-1BH14 |
| | | 15 | 202,18 | A | 31,75 | – | – | – | – | 23,470 | 4,13 | PHS 120-1A15 |
| | | | 202,18 | B | – | 31,75 | 82,55 | 120,65 | 60,33 | 23,470 | 7,57 | PHS 120-1BH15 |
| | | 16 | 214,38 | A | 31,75 | – | – | – | – | 23,470 | 4,81 | PHS 120-1A16 |
| | | | 214,38 | B | – | 31,75 | 88,90 | 133,35 | 60,33 | 23,470 | 9,03 | PHS 120-1BH16 |
| | | 17 | 226,57 | A | 31,75 | – | – | – | – | 23,470 | 5,72 | PHS 120-1A17 |
| | | | 226,57 | B | – | 31,75 | 88,90 | 133,35 | 60,33 | 23,470 | 9,43 | PHS 120-1BH17 |
| | | 18 | 239,01 | A | 31,75 | – | – | – | – | 23,470 | 6,17 | PHS 120-1A18 |
| | | | 239,01 | B | – | 31,75 | 88,90 | 133,35 | 60,33 | 23,470 | 10,07 | PHS 120-1BH18 |
| | | 19 | 251,21 | A | 31,75 | – | – | – | – | 23,470 | 6,85 | PHS 120-1A19 |
| | | | 251,21 | B | – | 31,75 | 88,90 | 133,35 | 60,33 | 23,470 | 11,25 | PHS 120-1BH19 |
| | | 20 | 263,40 | A | 31,75 | – | – | – | – | 23,470 | 7,67 | PHS 120-1A20 |
| | | | 263,40 | B | – | 31,75 | 88,90 | 133,35 | 60,33 | 23,470 | 11,70 | PHS 120-1BH20 |
| | | 21 | 275,59 | A | 31,75 | – | – | – | – | 23,470 | 8,48 | PHS 120-1A21 |
| | | | 275,59 | B | – | 31,75 | 88,90 | 133,35 | 60,33 | 23,470 | 12,11 | PHS 120-1BH21 |
| | | 22 | 287,78 | A | 31,75 | – | – | – | – | 23,470 | 9,07 | PHS 120-1A22 |
| | | | 287,78 | B | – | 31,75 | 88,90 | 133,35 | 60,33 | 23,470 | 12,79 | PHS 120-1BH22 |
| | | 23 | 299,97 | A | 31,75 | – | – | – | – | 23,470 | 10,02 | PHS 120-1A23 |
| | | | 299,97 | B | – | 31,75 | 88,90 | 133,35 | 60,33 | 23,470 | 13,74 | PHS 120-1BH23 |
| | | 24 | 312,17 | A | 31,75 | – | – | – | – | 23,470 | 11,25 | PHS 120-1A24 |
| | | | 312,17 | B | – | 31,75 | 88,90 | 133,35 | 60,33 | 23,470 | 14,56 | PHS 120-1BH24 |
| | | 25 | 324,36 | A | 31,75 | – | – | – | – | 23,470 | 12,16 | PHS 120-1A25 |
| | | | 324,36 | B | – | 31,75 | 88,90 | 133,35 | 60,33 | 23,470 | 15,69 | PHS 120-1BH25 |
| | | 26 | 336,55 | A | 38,10 | – | – | – | – | 23,470 | 12,84 | PHS 120-1A26 |
| | | | 336,55 | B | – | 38,10 | 101,60 | 152,40 | 63,50 | 23,470 | 18,14 | PHS 120-1B26 |
| | | 27 | 348,74 | A | 38,10 | – | – | – | – | 23,470 | 14,02 | PHS 120-1A27 |
| | | 28 | 360,93 | A | 38,10 | – | – | – | – | 23,470 | 15,24 | PHS 120-1A28 |
| | | | 360,93 | B | – | 38,10 | 101,60 | 152,40 | 63,50 | 23,470 | 20,37 | PHS 120-1B28 |
| | | 30 | 385,32 | A | 38,10 | – | – | – | – | 23,470 | 17,69 | PHS 120-1A30 |
| | | | 385,32 | B | – | 38,10 | 101,60 | 152,40 | 63,50 | 23,470 | 22,77 | PHS 120-1B30 |
| | | 32 | 409,70 | A | 38,10 | – | – | – | – | 23,470 | 19,91 | PHS 120-1A32 |
| | | | 409,70 | B | – | 38,10 | 101,60 | 152,40 | 63,50 | 23,470 | 25,40 | PHS 120-1B32 |
| | | 33 | 421,89 | A | 38,10 | – | – | – | – | 23,470 | 21,86 | PHS 120-1A33 |
| | | 34 | 434,09 | A | 38,10 | – | – | – | – | 23,470 | 22,68 | PHS 120-1A34 |
| | | 35 | 446,28 | A | 38,10 | – | – | – | – | 23,470 | 23,59 | PHS 120-1A35 |
| | | | 446,28 | B | – | 38,10 | 101,60 | 152,40 | 63,50 | 23,470 | 28,30 | PHS 120-1B35 |
| 36 | 458,47 | A | 38,10 | – | – | – | – | 23,470 | 25,40 | PHS 120-1A36 | | |
| | 458,47 | B | – | 38,10 | 101,60 | 152,40 | 63,50 | 23,470 | 30,12 | PHS 120-1B36 | | |
| 40 | 506,98 | A | 38,10 | – | – | – | – | 23,470 | 32,21 | PHS 120-1A40 | | |
| | 506,98 | C | – | 38,10 | 101,60 | 152,40 | 95,25 | 23,470 | 41,73 | PHS 120-1C40 | | |
| 42 | 531,37 | A | 38,10 | – | – | – | – | 23,470 | 34,02 | PHS 120-1A42 | | |
| | 531,37 | C | – | 38,10 | 101,60 | 152,40 | 95,25 | 23,470 | 44,45 | PHS 120-1C42 | | |
| 45 | 567,69 | A | 38,10 | – | – | – | – | 23,470 | 39,92 | PHS 120-1A45 | | |
| | 567,69 | C | – | 38,10 | 101,60 | 152,40 | 95,25 | 23,470 | 45,00 | PHS 120-1C45 | | |
| 48 | 604,27 | A | 38,10 | – | – | – | – | 23,470 | 46,72 | PHS 120-1A48 | | |
| | 604,27 | C | – | 38,10 | 101,60 | 152,40 | 101,60 | 23,470 | 51,26 | PHS 120-1C48 | | |
| 54 | 676,91 | A | 38,10 | – | – | – | – | 23,470 | 63,50 | PHS 120-1A54 | | |
| | 676,91 | C | – | 38,10 | 101,60 | 152,40 | 101,60 | 23,470 | 60,33 | PHS 120-1C54 | | |
| 60 | 749,81 | A | 38,10 | – | – | – | – | 23,470 | 72,57 | PHS 120-1A60 | | |
| | 749,81 | C | – | 38,10 | 133,35 | 177,80 | 101,60 | 23,470 | 72,57 | PHS 120-1C60 | | |
| 70 | 871,22 | A | 38,10 | – | – | – | – | 23,470 | 97,98 | PHS 120-1A70 | | |
| | 871,22 | C | – | 38,10 | 136,53 | 190,50 | 114,30 | 23,470 | 93,44 | PHS 120-1C70 | | |
| 80 | 992,63 | A | 38,10 | – | – | – | – | 23,470 | 128,82 | PHS 120-1A80 | | |
| | 992,63 | C | – | 38,10 | 136,53 | 190,50 | 114,30 | 23,470 | 115,21 | PHS 120-1C80 | | |

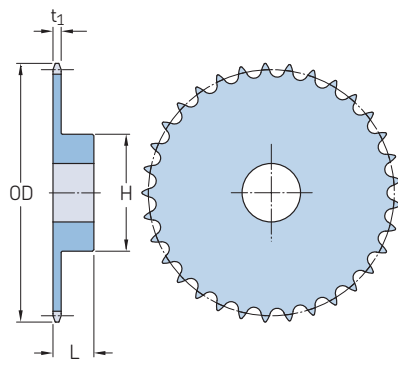
Maximum bores can accommodate standard keyways. Larger bores are available where a shallow keyway is used or no keyway is required. All Type B or C sprockets, up to and including 25 tooth, are with hardened teeth as standard. For any additional size sprockets with hardened teeth, add "H" before the number of teeth, e.g. PHS 25-1BH9.

ANSI sprockets, simplex, pilot bore

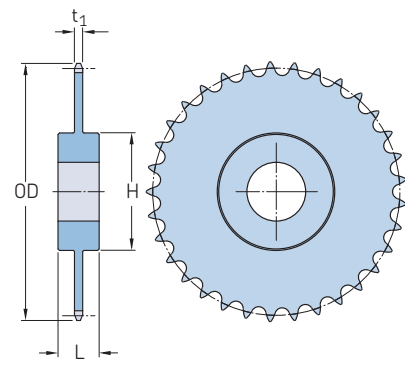
ANSI 120-1 · 38,10 mm (1½") pitch | ANSI 140-1 · 44,45 mm (1¾") pitch



Type A



Type B



Type C

| Pitch | Number of teeth | Outside diameter | Type | Dimensions | | Hub | Plate thickness | Mass | Designation | | | |
|-------|-----------------|------------------|---------|------------|--------|--------|-----------------|--------|-------------|--------------|--------------|---------------|
| | | | | Bore stock | Bore | | | | | | | |
| mm | in. | mm | | mm | Min. | Max. | t ₁ | kg | | | | |
| 38,10 | 1½ | 90 | 1113,79 | A | 38,10 | - | - | - | 23,470 | 162,39 | PHS 120-1A90 | |
| 44,45 | 1¾ | 11 | 178,05 | A | 38,10 | - | - | - | 23,470 | 2,27 | PHS 140-1A11 | |
| | | | 178,05 | B | - | 38,10 | 69,85 | 107,95 | 57,15 | 23,470 | 5,13 | PHS 140-1BH11 |
| | | 12 | 192,53 | A | 38,10 | - | - | - | - | 23,470 | 3,54 | PHS 140-1A12 |
| | | | 192,53 | B | - | 38,10 | 76,20 | 114,30 | 57,15 | 23,470 | 5,99 | PHS 140-1BH12 |
| | | 13 | 207,01 | A | 38,10 | - | - | - | - | 23,470 | 3,72 | PHS 140-1A13 |
| | | | 207,01 | B | - | 38,10 | 95,25 | 139,70 | 60,33 | 23,470 | 8,57 | PHS 140-1BH13 |
| | | 14 | 221,49 | A | 38,10 | - | - | - | - | 23,470 | 4,54 | PHS 140-1A14 |
| | | | 221,49 | B | - | 38,10 | 95,25 | 139,70 | 60,33 | 23,470 | 9,25 | PHS 140-1BH14 |
| | | 15 | 235,71 | A | 38,10 | - | - | - | - | 23,470 | 4,99 | PHS 140-1A15 |
| | | | 235,71 | B | - | 38,10 | 107,95 | 158,75 | 60,33 | 23,470 | 11,39 | PHS 140-1BH15 |
| | | 16 | 250,19 | A | 38,10 | - | - | - | - | 23,470 | 6,35 | PHS 140-1A16 |
| | | | 250,19 | B | - | 38,10 | 107,95 | 158,75 | 63,50 | 23,470 | 12,66 | PHS 140-1BH16 |
| | | 17 | 264,41 | A | 38,10 | - | - | - | - | 23,470 | 7,26 | PHS 140-1A17 |
| | | | 264,41 | B | - | 38,10 | 107,95 | 158,75 | 63,50 | 23,470 | 13,52 | PHS 140-1BH17 |
| | | 18 | 278,89 | A | 38,10 | - | - | - | - | 23,470 | 8,16 | PHS 140-1A18 |
| | | | 278,89 | B | - | 38,10 | 107,95 | 158,75 | 63,50 | 23,470 | 14,51 | PHS 140-1BH18 |
| | | 19 | 293,12 | A | 38,10 | - | - | - | - | 23,470 | 9,53 | PHS 140-1A19 |
| | | | 293,12 | B | - | 38,10 | 107,95 | 158,75 | 63,50 | 23,470 | 15,47 | PHS 140-1BH19 |
| | | 20 | 307,34 | A | 38,10 | - | - | - | - | 23,470 | 10,43 | PHS 140-1A20 |
| | | | 307,34 | B | - | 38,10 | 107,95 | 158,75 | 63,50 | 23,470 | 16,33 | PHS 140-1BH20 |
| | | 21 | 321,56 | A | 38,10 | - | - | - | - | 23,470 | 11,34 | PHS 140-1A21 |
| | | | 321,56 | B | - | 38,10 | 107,95 | 158,75 | 63,50 | 23,470 | 17,55 | PHS 140-1BH21 |
| | | 22 | 335,79 | A | 38,10 | - | - | - | - | 23,470 | 12,70 | PHS 140-1A22 |
| | | | 335,79 | B | - | 38,10 | 107,95 | 158,75 | 63,50 | 23,470 | 18,42 | PHS 140-1BH22 |
| | | 23 | 350,01 | A | 38,10 | - | - | - | - | 23,470 | 13,61 | PHS 140-1A23 |
| | | | 350,01 | B | - | 38,10 | 107,95 | 158,75 | 63,50 | 23,470 | 19,10 | PHS 140-1BH23 |
| | | 24 | 364,24 | A | 38,10 | - | - | - | - | 23,470 | 14,97 | PHS 140-1A24 |
| | | | 364,24 | B | - | 38,10 | 107,95 | 158,75 | 63,50 | 23,470 | 20,96 | PHS 140-1BH24 |
| | | 25 | 378,46 | A | 38,10 | - | - | - | - | 23,470 | 15,42 | PHS 140-1A25 |
| | | | 378,46 | B | - | 38,10 | 107,95 | 158,75 | 63,50 | 23,470 | 21,68 | PHS 140-1BH25 |
| | | 26 | 392,68 | A | 38,10 | - | - | - | - | 23,470 | 17,69 | PHS 140-1A26 |
| | | | 392,68 | B | - | 38,10 | 107,95 | 158,75 | 76,20 | 23,470 | 25,95 | PHS 140-1B26 |
| 27 | 406,91 | A | 38,10 | - | - | - | - | 23,470 | 18,60 | PHS 140-1A27 | | |
| | 406,91 | B | - | 38,10 | 107,95 | 158,75 | 76,20 | 23,470 | 26,54 | PHS 140-1B27 | | |
| 28 | 421,13 | A | 38,10 | - | - | - | - | 23,470 | 20,41 | PHS 140-1A28 | | |
| | 421,13 | B | - | 38,10 | 107,95 | 158,75 | 76,20 | 23,470 | 28,21 | PHS 140-1B28 | | |
| 30 | 449,58 | A | 38,10 | - | - | - | - | 23,470 | 23,59 | PHS 140-1A30 | | |
| | 449,58 | B | - | 38,10 | 107,95 | 158,75 | 76,20 | 23,470 | 31,66 | PHS 140-1B30 | | |
| 31 | 463,80 | A | 44,45 | 38,10 | - | - | - | 23,470 | 25,40 | PHS 140-1A31 | | |
| 32 | 478,03 | A | 38,10 | - | - | - | - | 23,470 | 27,22 | PHS 140-1A32 | | |
| | 478,03 | B | - | 38,10 | 107,95 | 158,75 | 76,20 | 23,470 | 34,61 | PHS 140-1B32 | | |

Maximum bores can accommodate standard keyways. Larger bores are available where a shallow keyway is used or no keyway is required. All Type B or C sprockets, up to and including 25 tooth, are with hardened teeth as standard. For any additional size sprockets with hardened teeth, add "H" before the number of teeth, e.g. PHS 25-1BH9.

ANSI sprockets, simplex, pilot bore

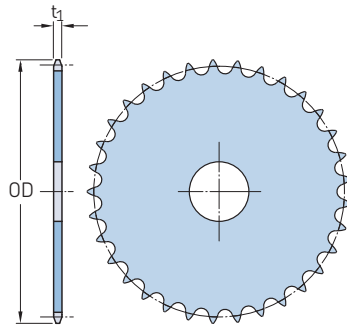
ANSI 140-1 · 44,45 mm (1³/₄" pitch | ANSI 160-1 · 50,80 mm (2" pitch

| Pitch | | Number of teeth | Outside diameter OD | Type | Dimensions | | Hub | | | Plate thickness t ₁ | Mass kg | Designation | |
|--------|---------|-----------------|------------------------|--------|------------|--------|--------|--------|--------|-----------------------------------|---------------|--------------|---------------|
| mm | in. | | | | Bore stock | Bore | H | L | Min. | | | | Max. |
| 44,45 | 1 3/4 | 35 | 520,45 | A | 38,10 | - | - | - | - | 23,470 | 33,11 | PHS 140-1A35 | |
| | | | 520,45 | C | - | 38,10 | 133,35 | 177,80 | 101,60 | 23,470 | 48,99 | PHS 140-1C35 | |
| | | 36 | 534,67 | A | 44,45 | 38,10 | - | - | - | - | 23,470 | 34,93 | PHS 140-1A36 |
| | | | 591,57 | A | 38,10 | - | - | - | - | - | 23,470 | 42,18 | PHS 140-1A40 |
| | | 40 | 591,57 | C | - | 38,10 | 133,35 | 177,80 | 101,60 | - | 23,470 | 54,88 | PHS 140-1C40 |
| | | | 662,43 | A | 38,10 | - | - | - | - | - | 23,470 | 59,42 | PHS 140-1A45 |
| | | 45 | 662,43 | C | - | 38,10 | 133,35 | 177,80 | 101,60 | - | 23,470 | 64,41 | PHS 140-1C45 |
| | | | 704,85 | A | 38,10 | - | - | - | - | - | 23,470 | 60,78 | PHS 140-1A48 |
| | | 48 | 704,85 | C | - | 38,10 | 133,35 | 177,80 | 101,60 | - | 23,470 | 68,04 | PHS 140-1C48 |
| | | | 789,94 | A | 38,10 | - | - | - | - | - | 23,470 | 78,47 | PHS 140-1A54 |
| | | 54 | 789,94 | C | - | 38,10 | 133,35 | 177,80 | 101,60 | - | 23,470 | 80,29 | PHS 140-1C54 |
| | | | 874,78 | A | 38,10 | - | - | - | - | - | 23,470 | 99,34 | PHS 140-1A60 |
| | | 60 | 874,78 | C | - | 38,10 | 133,35 | 177,80 | 127,00 | - | 23,470 | 99,79 | PHS 140-1C60 |
| | | | 1016,51 | A | 38,10 | - | - | - | - | - | 23,470 | 132,45 | PHS 140-1A70 |
| | | 70 | 1016,51 | C | - | 38,10 | 136,53 | 190,50 | 127,00 | - | 23,470 | 127,91 | PHS 140-1C70 |
| | | | 1157,99 | A | 38,10 | - | - | - | - | - | 23,470 | 182,34 | PHS 140-1A80 |
| 80 | 1157,99 | C | - | 38,10 | 136,53 | 190,50 | 127,00 | - | 23,470 | 150,14 | PHS 140-1C80 | | |
| | 50,80 | 2 | 8 | 153,16 | A | 38,10 | - | - | - | - | 29,360 | 2,27 | PHS 160-1A8 |
| 153,16 | | | | B | - | 38,10 | 47,63 | 82,55 | 57,15 | 29,360 | 3,63 | PHS 160-1BH8 | |
| 9 | | | 170,18 | A | 38,10 | - | - | - | - | - | 29,360 | 3,18 | PHS 160-1A9 |
| | | | 170,18 | B | - | 38,10 | 53,98 | 92,08 | 57,15 | - | 29,360 | 4,54 | PHS 160-1BH9 |
| 10 | | | 186,94 | A | 38,10 | - | - | - | - | - | 29,360 | 3,63 | PHS 160-1A10 |
| | | | 186,94 | B | - | 38,10 | 69,85 | 104,78 | 57,15 | - | 29,360 | 5,44 | PHS 160-1BH10 |
| 11 | | | 203,45 | A | 38,10 | - | - | - | - | - | 29,360 | 4,54 | PHS 160-1A11 |
| | | | 203,45 | B | - | 38,10 | 82,55 | 120,65 | 63,50 | - | 29,360 | 7,71 | PHS 160-1BH11 |
| 12 | | | 219,96 | A | 38,10 | - | - | - | - | - | 29,360 | 5,44 | PHS 160-1A12 |
| | | | 219,96 | B | - | 38,10 | 95,25 | 139,70 | 63,50 | - | 29,360 | 9,53 | PHS 160-1BH12 |
| 13 | | | 236,47 | A | 38,10 | - | - | - | - | - | 29,360 | 7,26 | PHS 160-1A13 |
| | | | 236,47 | B | - | 38,10 | 101,60 | 152,40 | 69,85 | - | 29,360 | 12,70 | PHS 160-1BH13 |
| 14 | | | 252,98 | A | 38,10 | - | - | - | - | - | 29,360 | 7,71 | PHS 160-1A14 |
| | | | 252,98 | B | - | 38,10 | 114,30 | 165,10 | 69,85 | - | 29,360 | 14,51 | PHS 160-1BH14 |
| 15 | | | 269,49 | A | 38,10 | - | - | - | - | - | 29,360 | 9,53 | PHS 160-1A15 |
| | | | 269,49 | B | - | 38,10 | 133,35 | 177,80 | 69,85 | - | 29,360 | 16,78 | PHS 160-1BH15 |
| 16 | | | 286,00 | A | 38,10 | - | - | - | - | - | 29,360 | 10,89 | PHS 160-1A16 |
| | | | 286,00 | B | - | 38,10 | 133,35 | 177,80 | 69,85 | - | 29,360 | 18,60 | PHS 160-1BH16 |
| 17 | | | 302,26 | A | 38,10 | - | - | - | - | - | 29,360 | 12,25 | PHS 160-1A17 |
| | | | 302,26 | B | - | 38,10 | 133,35 | 177,80 | 69,85 | - | 29,360 | 20,41 | PHS 160-1BH17 |
| 18 | | | 318,52 | A | 38,10 | - | - | - | - | - | 29,360 | 13,61 | PHS 160-1A18 |
| | | | 318,52 | B | - | 38,10 | 133,35 | 177,80 | 69,85 | - | 29,360 | 21,77 | PHS 160-1BH18 |
| 19 | | | 335,03 | A | 38,10 | - | - | - | - | - | 29,360 | 15,42 | PHS 160-1A19 |
| | | | 335,03 | B | - | 38,10 | 133,35 | 177,80 | 69,85 | - | 29,360 | 23,59 | PHS 160-1BH19 |
| 20 | | | 351,28 | A | 38,10 | - | - | - | - | - | 29,360 | 17,24 | PHS 160-1A20 |
| | | | 351,28 | B | - | 38,10 | 133,35 | 177,80 | 69,85 | - | 29,360 | 25,40 | PHS 160-1BH20 |
| 21 | | | 367,54 | A | 38,10 | - | - | - | - | - | 29,360 | 19,05 | PHS 160-1A21 |
| | | | 367,54 | B | - | 38,10 | 133,35 | 177,80 | 69,85 | - | 29,360 | 26,76 | PHS 160-1BH21 |
| 22 | 383,79 | A | 38,10 | - | - | - | - | - | 29,360 | 20,87 | PHS 160-1A22 | | |
| | 383,79 | B | - | 38,10 | 133,35 | 177,80 | 69,85 | - | 29,360 | 29,48 | PHS 160-1BH22 | | |
| 23 | 400,05 | A | 38,10 | - | - | - | - | - | 29,360 | 22,68 | PHS 160-1A23 | | |
| | 400,05 | B | - | 38,10 | 133,35 | 177,80 | 69,85 | - | 29,360 | 30,84 | PHS 160-1BH23 | | |
| 24 | 416,31 | A | 38,10 | - | - | - | - | - | 29,360 | 25,40 | PHS 160-1A24 | | |
| | 416,31 | B | - | 38,10 | 133,35 | 177,80 | 76,20 | - | 29,360 | 34,93 | PHS 160-1BH24 | | |
| 25 | 432,56 | A | 38,10 | - | - | - | - | - | 29,360 | 27,67 | PHS 160-1A25 | | |
| | 432,56 | B | - | 38,10 | 133,35 | 177,80 | 76,20 | - | 29,360 | 36,74 | PHS 160-1BH25 | | |
| 26 | 448,82 | A | 38,10 | - | - | - | - | - | 29,360 | 29,48 | PHS 160-1A26 | | |
| | 448,82 | B | - | 38,10 | 133,35 | 177,80 | 76,20 | - | 29,360 | 39,01 | PHS 160-1B26 | | |
| 27 | 465,07 | A | 38,10 | - | - | - | - | - | 29,360 | 32,21 | PHS 160-1A27 | | |
| | 465,07 | B | - | 38,10 | 133,35 | 177,80 | 76,20 | - | 29,360 | 41,28 | PHS 160-1B27 | | |
| 28 | 481,33 | A | 38,10 | - | - | - | - | - | 29,360 | 34,93 | PHS 160-1A28 | | |
| | 481,33 | B | - | 38,10 | 133,35 | 177,80 | 76,20 | - | 29,360 | 44,45 | PHS 160-1B28 | | |

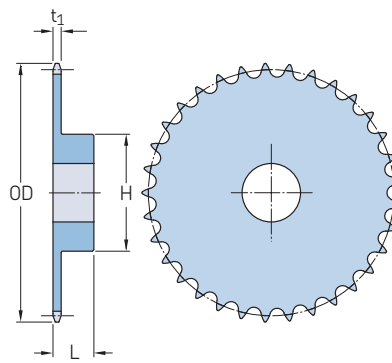
Maximum bores can accommodate standard keyways. Larger bores are available where a shallow keyway is used or no keyway is required. All Type B or C sprockets, up to and including 25 tooth, are with hardened teeth as standard. For any additional size sprockets with hardened teeth, add "H" before the number of teeth, e.g. PHS 25-1BH9.

ANSI sprockets, simplex, pilot bore

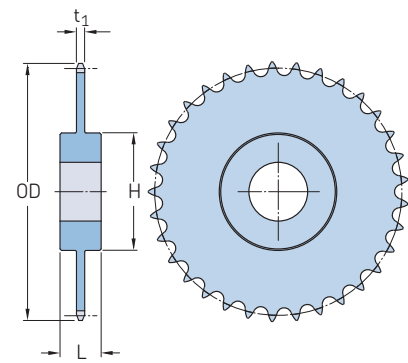
ANSI 160-1 · 50,80 mm (2") pitch | ANSI 180-1 · 57,15 mm (2¼") pitch



Type A



Type B



Type C

| Pitch | Number of teeth | Outside diameter | Type | Dimensions | | Hub | Plate thickness | Mass | Designation |
|-------|-----------------|------------------|-------|------------|--------|--------|-----------------|---------------|---------------|
| | | | | Bore stock | Bore | | | | |
| mm | in. | mm | | mm | Min. | Max. | t ₁ | kg | |
| 50,80 | 2 | 30 | A | 38,10 | - | - | - | 29,360 | PHS 160-1A30 |
| | | | B | - | 38,10 | 133,35 | 177,80 | 76,20 | 29,360 |
| | 35 | A | 38,10 | - | - | - | - | 29,360 | PHS 160-1A35 |
| | | C | - | 38,10 | 139,70 | 203,20 | 114,30 | 29,360 | PHS 160-1C35 |
| | 40 | A | 38,10 | - | - | - | - | 29,360 | PHS 160-1A40 |
| | | C | - | 38,10 | 139,70 | 203,20 | 114,30 | 29,360 | PHS 160-1C40 |
| | 45 | A | 38,10 | - | - | - | - | 29,360 | PHS 160-1A45 |
| | | C | - | 38,10 | 139,70 | 203,20 | 127,00 | 29,360 | PHS 160-1C45 |
| | 54 | A | 38,10 | - | - | - | - | 29,360 | PHS 160-1A54 |
| | | C | - | 38,10 | 139,70 | 203,20 | 127,00 | 29,360 | PHS 160-1C54 |
| | 60 | A | 38,10 | - | - | - | - | 29,360 | PHS 160-1A60 |
| | | C | - | 38,10 | 139,70 | 203,20 | 127,00 | 29,360 | PHS 160-1C60 |
| | 70 | A | 38,10 | - | - | - | - | 29,360 | PHS 160-1A70 |
| | | C | - | 38,10 | 139,70 | 203,20 | 127,00 | 29,360 | PHS 160-1C70 |
| | 80 | A | 38,10 | - | - | - | - | 29,360 | PHS 160-1A80 |
| | | C | - | 38,10 | 139,70 | 203,20 | 152,40 | 29,360 | PHS 160-1C80 |
| 57,15 | 2¼ | 11 | A | 38,10 | - | - | - | 33,050 | PHS 180-1A11 |
| | | | B | - | 38,10 | 92,08 | 139,70 | 76,20 | 33,050 |
| | 12 | A | 38,10 | - | - | - | - | 33,050 | PHS 180-1A12 |
| | | B | - | 38,10 | 101,60 | 152,40 | 76,20 | 33,050 | PHS 180-1BH12 |
| | 13 | A | 38,10 | - | - | - | - | 33,050 | PHS 180-1A13 |
| | | B | - | 38,10 | 117,48 | 171,45 | 79,38 | 33,050 | PHS 180-1BH13 |
| | 14 | A | 38,10 | - | - | - | - | 33,050 | PHS 180-1A14 |
| | | B | - | 38,10 | 133,35 | 177,80 | 79,38 | 33,050 | PHS 180-1BH14 |
| | 15 | A | 38,10 | - | - | - | - | 33,050 | PHS 180-1A15 |
| | | B | - | 38,10 | 133,35 | 177,80 | 79,38 | 33,050 | PHS 180-1BH15 |
| | 16 | A | 38,10 | - | - | - | - | 33,050 | PHS 180-1A16 |
| | | B | - | 38,10 | 133,35 | 177,80 | 79,38 | 33,050 | PHS 180-1BH16 |
| | 17 | A | 38,10 | - | - | - | - | 33,050 | PHS 180-1A17 |
| | | B | - | 38,10 | 133,35 | 177,80 | 79,38 | 33,050 | PHS 180-1BH17 |
| | 18 | A | 38,10 | - | - | - | - | 33,050 | PHS 180-1A18 |
| | | B | - | 38,10 | 133,35 | 177,80 | 79,38 | 33,050 | PHS 180-1BH18 |
| | 19 | A | 38,10 | - | - | - | - | 33,050 | PHS 180-1A19 |
| | | B | - | 38,10 | 136,53 | 190,50 | 85,73 | 33,050 | PHS 180-1BH19 |
| | 20 | A | 38,10 | - | - | - | - | 33,050 | PHS 180-1A20 |
| | | B | - | 38,10 | 136,53 | 190,50 | 85,73 | 33,050 | PHS 180-1BH20 |
| | 21 | A | 38,10 | - | - | - | - | 33,050 | PHS 180-1A21 |
| | | B | - | 38,10 | 136,53 | 190,50 | 85,73 | 33,050 | PHS 180-1BH21 |
| | 22 | A | 38,10 | - | - | - | - | 33,050 | PHS 180-1A22 |
| | | B | - | 38,10 | 136,53 | 190,50 | 85,73 | 33,050 | PHS 180-1BH22 |
| 23 | A | 38,10 | - | - | - | - | 33,050 | PHS 180-1A23 | |
| | B | - | 38,10 | 136,53 | 190,50 | 85,73 | 33,050 | PHS 180-1BH23 | |
| 24 | A | 38,10 | - | - | - | - | 33,050 | PHS 180-1A24 | |

Maximum bores can accommodate standard keyways. Larger bores are available where a shallow keyway is used or no keyway is required. All Type B or C sprockets, up to and including 25 tooth, are with hardened teeth as standard. For any additional size sprockets with hardened teeth, add "H" before the number of teeth, e.g. PHS 25-1BH9.

ANSI sprockets, simplex, pilot bore

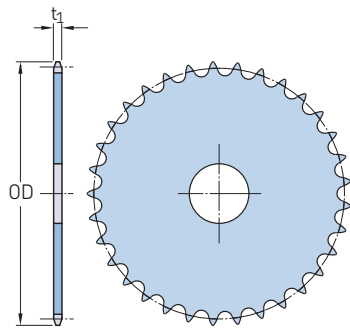
ANSI 180-1 · 57,15 mm (2¼") pitch | ANSI 200-1 · 63,50 mm (2½") pitch

| Pitch | | Number of teeth | Outside diameter OD | Type | Dimensions | | Hub | | Plate thickness t ₁ | Mass kg | Designation | |
|---------|---------|-----------------|------------------------|-------|------------|--------|--------|--------|-----------------------------------|---------------|--------------|---------------|
| mm | in. | | | | Bore stock | Bore | H | L | | | | |
| | | | | | Min. | Max. | | | | | | |
| 57,15 | 2¼ | 24 | 468,38 | B | – | 38,10 | 136,53 | 190,50 | 85,73 | 33,050 | 47,63 | PHS 180-1BH24 |
| | | 25 | 486,66 | A | 38,10 | – | – | – | – | 33,050 | 38,10 | PHS 180-1A25 |
| | | | 486,66 | B | – | 38,10 | 136,53 | 190,50 | 85,73 | 33,050 | 51,26 | PHS 180-1BH25 |
| | | 28 | 541,53 | A | 38,10 | – | – | – | – | 33,050 | 47,17 | PHS 180-1A28 |
| | | | 541,53 | B | – | 38,10 | 139,70 | 203,20 | 88,90 | 33,050 | 61,23 | PHS 180-1B28 |
| | | 30 | 578,10 | A | 38,10 | – | – | – | – | 33,050 | 54,43 | PHS 180-1A30 |
| | | | 578,10 | C | – | 38,10 | 146,05 | 215,90 | 111,13 | 33,050 | 81,65 | PHS 180-1C30 |
| | | 35 | 669,29 | A | 38,10 | – | – | – | – | 33,050 | 78,02 | PHS 180-1A35 |
| | | | 669,29 | C | – | 38,10 | 146,05 | 215,90 | 111,13 | 33,050 | 100,70 | PHS 180-1C35 |
| | | 40 | 760,48 | A | 38,10 | – | – | – | – | 33,050 | 103,87 | PHS 180-1A40 |
| | | | 760,48 | C | – | 38,10 | 146,05 | 215,90 | 111,13 | 33,050 | 122,47 | PHS 180-1C40 |
| | | 45 | 851,66 | A | 38,10 | – | – | – | – | 33,050 | 128,82 | PHS 180-1A45 |
| | | | 851,66 | C | – | 38,10 | 152,40 | 228,60 | 127,00 | 33,050 | 142,88 | PHS 180-1C45 |
| | | 54 | 1015,49 | A | 38,10 | – | – | – | – | 33,050 | 190,51 | PHS 180-1A54 |
| 1015,49 | C | | – | 38,10 | 152,40 | 228,60 | 127,00 | 33,050 | 216,36 | PHS 180-1C54 | | |
| 60 | 1124,71 | A | 38,10 | – | – | – | – | 33,050 | 229,06 | PHS 180-1A60 | | |
| | 1124,71 | C | – | 38,10 | 165,10 | 241,30 | 136,53 | 33,050 | 221,81 | PHS 180-1C60 | | |
| 63,50 | 2½ | 10 | 233,68 | A | 38,10 | – | – | – | 35,280 | 7,26 | PHS 200-1A10 | |
| | | | 233,68 | B | – | 38,10 | 95,25 | 139,70 | 76,20 | 35,280 | 11,79 | PHS 200-1BH10 |
| | | 11 | 254,51 | A | 38,10 | – | – | – | – | 35,280 | 9,07 | PHS 200-1A11 |
| | | | 254,51 | B | – | 38,10 | 101,60 | 152,40 | 76,20 | 35,280 | 14,97 | PHS 200-1BH11 |
| | | 12 | 275,08 | A | 38,10 | – | – | – | – | 35,280 | 10,89 | PHS 200-1A12 |
| | | | 275,08 | B | – | 38,10 | 114,30 | 165,10 | 76,20 | 35,280 | 16,78 | PHS 200-1BH12 |
| | | 13 | 295,66 | A | 38,10 | – | – | – | – | 35,280 | 13,61 | PHS 200-1A13 |
| | | | 295,66 | B | – | 38,10 | 133,35 | 177,80 | 76,20 | 35,280 | 20,87 | PHS 200-1BH13 |
| | | 14 | 316,48 | A | 38,10 | – | – | – | – | 35,280 | 14,51 | PHS 200-1A14 |
| | | | 316,48 | B | – | 38,10 | 136,53 | 190,50 | 88,90 | 35,280 | 26,76 | PHS 200-1BH14 |
| | | 15 | 336,80 | A | 38,10 | – | – | – | – | 35,280 | 18,14 | PHS 200-1A15 |
| | | | 336,80 | B | – | 38,10 | 136,53 | 190,50 | 88,90 | 35,280 | 29,03 | PHS 200-1BH15 |
| | | 16 | 357,38 | A | 38,10 | – | – | – | – | 35,280 | 20,87 | PHS 200-1A16 |
| | | | 357,38 | B | – | 38,10 | 136,53 | 190,50 | 88,90 | 35,280 | 32,66 | PHS 200-1BH16 |
| | | 17 | 377,70 | A | 38,10 | – | – | – | – | 35,280 | 23,13 | PHS 200-1A17 |
| | | | 377,70 | B | – | 38,10 | 136,53 | 190,50 | 88,90 | 35,280 | 34,47 | PHS 200-1BH17 |
| | | 18 | 398,27 | A | 38,10 | – | – | – | – | 35,280 | 25,85 | PHS 200-1A18 |
| | | | 398,27 | B | – | 38,10 | 136,53 | 190,50 | 88,90 | 35,280 | 38,10 | PHS 200-1BH18 |
| | | 19 | 418,59 | A | 38,10 | – | – | – | – | 35,280 | 29,48 | PHS 200-1A19 |
| | | | 418,59 | B | – | 38,10 | 136,53 | 190,50 | 88,90 | 35,280 | 41,28 | PHS 200-1BH19 |
| | | 20 | 439,17 | A | 38,10 | – | – | – | – | 35,280 | 32,66 | PHS 200-1A20 |
| 439,17 | B | | – | 38,10 | 136,53 | 190,50 | 88,90 | 35,280 | 44,45 | PHS 200-1BH20 | | |
| 21 | 459,49 | A | 38,10 | – | – | – | – | 35,280 | 37,19 | PHS 200-1A21 | | |
| | 459,49 | B | – | 38,10 | 136,53 | 190,50 | 88,90 | 35,280 | 48,08 | PHS 200-1BH21 | | |
| 22 | 479,81 | A | 38,10 | – | – | – | – | 35,280 | 39,92 | PHS 200-1A22 | | |
| | 479,81 | B | – | 38,10 | 146,05 | 215,90 | 101,60 | 35,280 | 59,42 | PHS 200-1BH22 | | |
| 23 | 500,13 | A | 38,10 | – | – | – | – | 35,280 | 43,09 | PHS 200-1A23 | | |
| | 500,13 | B | – | 38,10 | 146,05 | 215,90 | 101,60 | 35,280 | 61,69 | PHS 200-1BH23 | | |
| 24 | 520,45 | A | 38,10 | – | – | – | – | 35,280 | 47,63 | PHS 200-1A24 | | |
| | 520,45 | B | – | 38,10 | 146,05 | 215,90 | 101,60 | 35,280 | 64,41 | PHS 200-1BH24 | | |
| 25 | 540,77 | A | 38,10 | – | – | – | – | 35,280 | 51,26 | PHS 200-1A25 | | |
| | 540,77 | B | – | 38,10 | 146,05 | 215,90 | 101,60 | 35,280 | 69,40 | PHS 200-1BH25 | | |
| 26 | 561,09 | A | 38,10 | – | – | – | – | 35,280 | 56,25 | PHS 200-1A26 | | |
| | 561,09 | C | – | 38,10 | 146,05 | 215,90 | 114,30 | 35,280 | 80,74 | PHS 200-1C26 | | |
| 28 | 601,73 | A | 38,10 | – | – | – | – | 35,280 | 65,32 | PHS 200-1A28 | | |
| | 601,73 | C | – | 38,10 | 146,05 | 215,90 | 114,30 | 35,280 | 88,45 | PHS 200-1C28 | | |
| 30 | 642,37 | A | 38,10 | – | – | – | – | 35,280 | 75,75 | PHS 200-1A30 | | |
| | 642,37 | C | – | 38,10 | 146,05 | 215,90 | 114,30 | 35,280 | 96,16 | PHS 200-1C30 | | |
| 32 | 682,75 | A | 38,10 | – | – | – | – | 35,280 | 88,45 | PHS 200-1A32 | | |
| | 682,75 | C | – | 38,10 | 146,05 | 215,90 | 114,30 | 35,280 | 99,79 | PHS 200-1C32 | | |
| 35 | 743,71 | A | 38,10 | – | – | – | – | 35,280 | 102,97 | PHS 200-1A35 | | |
| | 743,71 | C | – | 38,10 | 146,05 | 215,90 | 114,30 | 35,280 | 115,21 | PHS 200-1C35 | | |

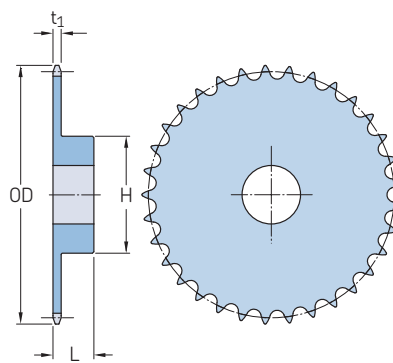
Maximum bores can accommodate standard keyways. Larger bores are available where a shallow keyway is used or no keyway is required. All Type B or C sprockets, up to and including 25 tooth, are with hardened teeth as standard. For any additional size sprockets with hardened teeth, add "H" before the number of teeth, e.g. PHS 25-1BH9.

ANSI sprockets, simplex, pilot bore

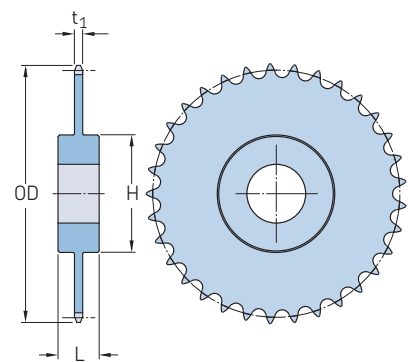
ANSI 200-1 · 63,50 mm (2½") pitch | ANSI 240-1 · 76,20 mm (3") pitch



Type A



Type B



Type C

| Pitch | Number of teeth | Outside diameter OD | Type | Dimensions | | Hub H | Hub L | Plate thickness t ₁ | Mass | Designation |
|-------|--------------------|------------------------|-------|---------------|-------------------|----------|----------|-----------------------------------|--------------|---------------|
| | | | | Bore stock | Bore Min. Max. | | | | | |
| mm | in. | mm | - | mm | mm | mm | mm | mm | kg | - |
| 63,50 | 2½ | 845,06 845,06 | A | 38,10 | - | - | - | 35,280 | 136,53 | PHS 200-1A40 |
| | | | C | - | 38,10 | 152,40 | 228,60 | 127,00 | 35,280 | 145,15 |
| | 45 | 946,15 946,15 | A | 38,10 | - | - | - | 35,280 | 176,90 | PHS 200-1A45 |
| | | | C | - | 38,10 | 152,40 | 228,60 | 127,00 | 35,280 | 165,11 |
| 63,50 | 54 | 1128,27 1128,27 | A | 38,10 | - | - | - | 35,280 | 251,74 | PHS 200-1A54 |
| | | | C | - | 38,10 | 165,10 | 241,30 | 139,70 | 35,280 | 232,24 |
| | 60 | 1249,68 1249,68 | A | 38,10 | - | - | - | 35,280 | 313,89 | PHS 200-1A60 |
| | | | C | - | 38,10 | 165,10 | 241,30 | 139,70 | 35,280 | 296,65 |
| 76,20 | 10 | 280,16 280,16 | A | 38,10 | - | - | - | 44,150 | 13,61 | PHS 240-1A10 |
| | | | B | - | 38,10 | 114,30 | 165,10 | 85,73 | 44,150 | 22,23 |
| | 11 | 305,31 305,31 | A | 38,10 | - | - | - | 44,150 | 16,78 | PHS 240-1A11 |
| | | | B | - | 38,10 | 120,65 | 177,80 | 98,43 | 44,150 | 29,94 |
| | 12 | 330,20 330,20 | A | 38,10 | - | - | - | 44,150 | 20,41 | PHS 240-1A12 |
| | | | B | - | 38,10 | 136,53 | 190,50 | 98,43 | 44,150 | 32,66 |
| | 13 | 354,84 354,84 | A | 38,10 | - | - | - | 44,150 | 24,49 | PHS 240-1A13 |
| | | | B | - | 38,10 | 136,53 | 190,50 | 98,43 | 44,150 | 36,74 |
| | 14 | 379,48 379,48 | A | 38,10 | - | - | - | 44,150 | 28,12 | PHS 240-1A14 |
| | | | B | - | 38,10 | 136,53 | 190,50 | 98,43 | 44,150 | 39,92 |
| | 15 | 404,11 404,11 | A | 38,10 | - | - | - | 44,150 | 30,84 | PHS 240-1A15 |
| | | | B | - | 38,10 | 136,53 | 190,50 | 98,43 | 44,150 | 44,45 |
| | 16 | 428,75 428,75 | A | 38,10 | - | - | - | 44,150 | 37,19 | PHS 240-1A16 |
| | | | B | - | 38,10 | 139,70 | 203,20 | 104,78 | 44,150 | 54,43 |
| | 17 | 453,39 453,39 | A | 38,10 | - | - | - | 44,150 | 42,18 | PHS 240-1A17 |
| | | | B | - | 38,10 | 139,70 | 203,20 | 104,78 | 44,150 | 62,14 |
| | 18 | 477,77 477,77 | A | 38,10 | - | - | - | 44,150 | 48,99 | PHS 240-1A18 |
| | | | B | - | 38,10 | 139,70 | 203,20 | 104,78 | 44,150 | 64,41 |
| | 19 | 502,41 502,41 | A | 38,10 | - | - | - | 44,150 | 54,43 | PHS 240-1A19 |
| | | | B | - | 38,10 | 139,70 | 203,20 | 104,78 | 44,150 | 69,85 |
| 20 | 526,80 526,80 | A | 38,10 | - | - | - | 44,150 | 58,06 | PHS 240-1A20 | |
| | | B | - | 38,10 | 139,70 | 203,20 | 104,78 | 44,150 | 76,66 | PHS 240-1BH20 |
| 21 | 551,43 551,43 | A | 38,10 | - | - | - | 44,150 | 67,13 | PHS 240-1A21 | |
| | | B | - | 38,10 | 139,70 | 203,20 | 104,78 | 44,150 | 84,37 | PHS 240-1BH21 |
| 25 | 648,97 648,97 | A | 38,10 | - | - | - | 44,150 | 94,35 | PHS 240-1A25 | |
| | | B | - | 38,10 | 139,70 | 203,20 | 104,78 | 44,150 | 115,21 | PHS 240-1BH25 |
| 30 | 770,64 770,64 | A | 38,10 | - | - | - | 44,150 | 140,61 | PHS 240-1A30 | |
| | | C | - | 38,10 | 152,40 | 228,60 | 158,75 | 44,150 | 180,53 | PHS 240-1C30 |
| 35 | 892,30 892,30 | A | 38,10 | - | - | - | 44,150 | 188,69 | PHS 240-1A35 | |
| | | C | - | 38,10 | 152,40 | 228,60 | 158,75 | 44,150 | 239,04 | PHS 240-1C35 |
| 40 | 1013,97 1013,97 | A | 38,10 | - | - | - | 44,150 | 248,57 | PHS 240-1A40 | |
| | | C | - | 38,10 | 177,80 | 254,00 | 171,45 | 44,150 | 304,81 | PHS 240-1C40 |
| 45 | 1135,38 1135,38 | A | 38,10 | - | - | - | 44,150 | 318,42 | PHS 240-1A45 | |
| | | C | - | 38,10 | 177,80 | 254,00 | 171,45 | 44,150 | 385,55 | PHS 240-1C45 |
| 54 | 1354,07 | A | 38,10 | - | - | - | 44,150 | 463,57 | PHS 240-1A54 | |

Maximum bores can accommodate standard keyways. Larger bores are available where a shallow keyway is used or no keyway is required. All Type B or C sprockets, up to and including 25 tooth, are with hardened teeth as standard. For any additional size sprockets with hardened teeth, add "H" before the number of teeth, e.g. PHS 25-1BH9.

ANSI sprockets, simplex, pilot bore

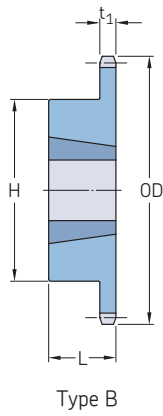
ANSI 240-1 · 76,20 mm (3") pitch

| Pitch | | Number of teeth | Outside diameter OD | Type | Dimensions | | | Hub | | Plate thickness t ₁ | Mass | Designation |
|-------|-----|-----------------|------------------------|------|------------|--------------|--------------|--------|--------|-----------------------------------|--------------|--------------|
| mm | in. | | | | Bore stock | Bore Min. | Bore Max. | H | L | | | |
| mm | in. | – | mm | – | mm | | | | | kg | – | |
| 76,20 | 3 | 54 | 1354,07 | C | – | 38,10 | 177,80 | 254,00 | 171,45 | 44,150 | 520,72 | PHS 240-1C54 |
| | | | 1499,62 | A | 38,10 | – | – | – | – | 44,150 | 575,15 | PHS 240-1A60 |
| | | 1499,62 | C | – | 38,10 | 177,80 | 254,00 | 171,45 | 44,150 | 643,65 | PHS 240-1C60 | |

Maximum bores can accommodate standard keyways. Larger bores are available where a shallow keyway is used or no keyway is required. All Type B or C sprockets, up to and including 25 tooth, are with hardened teeth as standard. For any additional size sprockets with hardened teeth, add "H" before the number of teeth, e.g. PHS 25-1BH9.

ANSI sprockets, simplex, taper bushed

ANSI 35-1 · 9,53 mm (3/8") pitch | ANSI 41-1 · 12,70 mm (1/2") pitch



| Pitch | Number of teeth | Diameters | | Type | Bushing number | Dimensions | | | | Plate thickness t_1 | Mass Rim | Bushing | Designation | | |
|-------|-----------------|------------|----------|--------|----------------|------------|-------|-------|-------|-----------------------|----------|---------|---------------|---------------|--------------|
| | | Outside OD | Pitch PD | | | Bore | | L | H | | | | | | |
| mm | in. | mm | mm | - | - | mm | mm | mm | mm | mm | kg | - | - | | |
| 9,53 | 3/8 | 18 | 59,69 | 54,86 | B | 1008 | 9,53 | 25,40 | 22,23 | 47,63 | 4,270 | 0,2 | 0,1 | PHS 35-1TBH18 | |
| | | 19 | 62,74 | 57,91 | B | 1008 | 9,53 | 25,40 | 22,23 | 46,04 | 4,270 | 0,2 | 0,1 | PHS 35-1TBH19 | |
| | | 20 | 65,79 | 60,96 | B | 1008 | 9,53 | 25,40 | 22,23 | 49,21 | 4,270 | 0,3 | 0,1 | PHS 35-1TBH20 | |
| | | 21 | 68,83 | 64,01 | B | 1008 | 9,53 | 25,40 | 22,23 | 52,39 | 4,270 | 0,3 | 0,1 | PHS 35-1TBH21 | |
| | | 22 | 73,15 | 66,80 | B | 1210 | 15,88 | 31,75 | 25,40 | 60,33 | 4,270 | 0,4 | 0,3 | PHS 35-1TBH22 | |
| | | 23 | 74,93 | 69,85 | B | 1210 | 15,88 | 31,75 | 25,40 | 61,91 | 4,270 | 0,4 | 0,3 | PHS 35-1TBH23 | |
| | | 24 | 77,98 | 72,90 | B | 1210 | 15,88 | 31,75 | 25,40 | 61,91 | 4,270 | 0,4 | 0,3 | PHS 35-1TBH24 | |
| | | 25 | 81,03 | 75,95 | B | 1210 | 15,88 | 31,75 | 25,40 | 61,91 | 4,270 | 0,5 | 0,3 | PHS 35-1TBH25 | |
| | | 26 | 84,07 | 78,99 | B | 1610 | 12,70 | 41,28 | 25,40 | 73,03 | 4,270 | 0,5 | 0,4 | PHS 35-1TB26 | |
| | | 28 | 90,17 | 85,09 | B | 1610 | 12,70 | 41,28 | 25,40 | 73,03 | 4,270 | 0,5 | 0,4 | PHS 35-1TB28 | |
| | | 30 | 96,27 | 91,19 | B | 1610 | 12,70 | 41,28 | 25,40 | 79,38 | 4,270 | 0,5 | 0,4 | PHS 35-1TB30 | |
| | | 32 | 102,36 | 97,28 | B | 1610 | 12,70 | 41,28 | 25,40 | 82,55 | 4,270 | 0,6 | 0,4 | PHS 35-1TB32 | |
| | | 35 | 111,51 | 106,17 | B | 1610 | 12,70 | 41,28 | 25,40 | 82,55 | 4,270 | 0,6 | 0,4 | PHS 35-1TB35 | |
| | | 36 | 114,55 | 109,22 | B | 1610 | 12,70 | 41,28 | 25,40 | 82,55 | 4,270 | 0,6 | 0,4 | PHS 35-1TB36 | |
| | | 40 | 126,75 | 121,67 | B | 1610 | 12,70 | 41,28 | 25,40 | 82,55 | 4,270 | 0,9 | 0,4 | PHS 35-1TB40 | |
| | | 42 | 132,84 | 127,51 | B | 1610 | 12,70 | 41,28 | 25,40 | 82,55 | 4,270 | 0,9 | 0,4 | PHS 35-1TB42 | |
| | | 45 | 141,99 | 136,65 | B | 1610 | 12,70 | 41,28 | 25,40 | 82,55 | 4,270 | 1,0 | 0,4 | PHS 35-1TB45 | |
| | | 48 | 151,13 | 145,54 | B | 1610 | 12,70 | 41,28 | 25,40 | 82,55 | 4,270 | 1,0 | 0,4 | PHS 35-1TB48 | |
| | | 54 | 169,16 | 163,83 | B | 1610 | 12,70 | 41,28 | 25,40 | 82,55 | 4,270 | 1,2 | 0,4 | PHS 35-1TB54 | |
| | | 60 | 187,45 | 182,12 | B | 1610 | 12,70 | 41,28 | 25,40 | 82,55 | 4,270 | 1,4 | 0,4 | PHS 35-1TB60 | |
| | | 70 | 217,68 | 212,34 | B | 1610 | 12,70 | 41,28 | 25,40 | 82,55 | 4,270 | 1,7 | 0,4 | PHS 35-1TB70 | |
| | | 72 | 223,77 | 218,44 | B | 1610 | 12,70 | 41,28 | 25,40 | 82,55 | 4,270 | 1,8 | 0,4 | PHS 35-1TB72 | |
| 80 | | 248,16 | 242,57 | B | 1610 | 12,70 | 41,28 | 25,40 | 82,55 | 4,270 | 2,0 | 0,4 | PHS 35-1TB80 | | |
| 84 | | 260,35 | 254,76 | B | 1610 | 12,70 | 41,28 | 25,40 | 82,55 | 4,270 | 2,2 | 0,4 | PHS 35-1TB84 | | |
| 96 | | 296,67 | 291,08 | B | 1610 | 12,70 | 41,28 | 25,40 | 82,55 | 4,270 | 2,7 | 0,4 | PHS 35-1TB96 | | |
| | 112 | 345,19 | 339,60 | B | 1610 | 12,70 | 41,28 | 25,40 | 82,55 | 4,270 | 3,5 | 0,4 | PHS 35-1TB112 | | |
| 12,70 | 1/2 | 14 | 63,25 | 57,15 | B | 1008 | 9,53 | 25,40 | 22,23 | 47,63 | 5,770 | 0,2 | 0,1 | PHS 41-1TBH14 | |
| | | 15 | 67,31 | 60,96 | B | 1008 | 9,53 | 25,40 | 22,23 | 47,63 | 5,770 | 0,2 | 0,1 | PHS 41-1TBH15 | |
| | | 16 | 71,37 | 63,50 | B | 1008 | 9,53 | 25,40 | 22,23 | 50,80 | 5,770 | 0,3 | 0,1 | PHS 41-1TBH16 | |
| | | 17 | 75,44 | 69,09 | B | 1210 | 15,88 | 31,75 | 25,40 | 60,33 | 5,770 | 0,3 | 0,3 | PHS 41-1TBH17 | |
| | | 18 | 79,76 | 73,15 | B | 1210 | 15,88 | 31,75 | 25,40 | 85,73 | 5,770 | 0,4 | 0,3 | PHS 41-1TBH18 | |
| | | 19 | 83,82 | 77,22 | B | 1210 | 15,88 | 31,75 | 25,40 | 63,50 | 5,770 | 0,5 | 0,3 | PHS 41-1TBH19 | |
| | | 20 | 87,88 | 81,28 | B | 1610 | 12,70 | 41,28 | 25,40 | 73,03 | 5,770 | 0,5 | 0,4 | PHS 41-1TBH20 | |
| | | 21 | 91,95 | 85,34 | B | 1610 | 12,70 | 41,28 | 25,40 | 76,20 | 5,770 | 0,5 | 0,4 | PHS 41-1TBH21 | |
| | | 22 | 96,01 | 89,15 | B | 1610 | 12,70 | 41,28 | 25,40 | 76,20 | 5,770 | 0,6 | 0,4 | PHS 41-1TBH22 | |
| | | 23 | 100,08 | 93,22 | B | 1610 | 12,70 | 41,28 | 25,40 | 76,20 | 5,770 | 0,6 | 0,4 | PHS 41-1TBH23 | |
| | | 24 | 104,14 | 97,28 | B | 1610 | 12,70 | 41,28 | 25,40 | 76,20 | 5,770 | 0,6 | 0,4 | PHS 41-1TBH24 | |
| | | 25 | 108,20 | 101,35 | B | 1610 | 12,70 | 41,28 | 25,40 | 76,20 | 5,770 | 0,7 | 0,4 | PHS 41-1TBH25 | |
| | | 26 | 112,27 | 105,41 | B | 1610 | 12,70 | 41,28 | 25,40 | 76,20 | 5,770 | 0,7 | 0,4 | PHS 41-1TB26 | |
| | | 28 | 120,40 | 113,54 | B | 1610 | 12,70 | 41,28 | 25,40 | 76,20 | 5,770 | 0,8 | 0,4 | PHS 41-1TB28 | |
| | | 30 | 128,52 | 121,41 | B | 1610 | 12,70 | 41,28 | 25,40 | 76,20 | 5,770 | 0,8 | 0,4 | PHS 41-1TB30 | |
| | | 32 | 136,65 | 129,54 | B | 1610 | 12,70 | 41,28 | 25,40 | 76,20 | 5,770 | 0,9 | 0,4 | PHS 41-1TB32 | |
| | | 35 | 148,84 | 141,73 | B | 1610 | 12,70 | 41,28 | 25,40 | 76,20 | 5,770 | 1,0 | 0,4 | PHS 41-1TB35 | |
| | | 36 | 152,91 | 145,80 | B | 1610 | 12,70 | 41,28 | 25,40 | 76,20 | 5,770 | 1,1 | 0,4 | PHS 41-1TB36 | |
| | | 40 | 168,91 | 161,80 | B | 1610 | 12,70 | 41,28 | 25,40 | 76,20 | 5,770 | 1,2 | 0,4 | PHS 41-1TB40 | |
| | | 45 | 189,23 | 182,12 | B | 1610 | 12,70 | 41,28 | 25,40 | 76,20 | 5,770 | 1,6 | 0,4 | PHS 41-1TB45 | |
| | | | 48 | 201,42 | 194,06 | B | 1610 | 12,70 | 41,28 | 25,40 | 76,20 | 5,770 | 1,9 | 0,4 | PHS 41-1TB48 |
| | | | 54 | 225,55 | 218,44 | B | 1610 | 12,70 | 41,28 | 25,40 | 76,20 | 5,770 | 2,2 | 0,4 | PHS 41-1TB54 |
| 60 | 249,94 | | 242,57 | B | 1610 | 12,70 | 41,28 | 25,40 | 76,20 | 5,770 | 2,6 | 0,4 | PHS 41-1TB60 | | |
| 70 | 290,32 | | 282,96 | B | 1610 | 12,70 | 41,28 | 25,40 | 76,20 | 5,770 | 3,4 | 0,4 | PHS 41-1TB70 | | |
| 72 | 298,45 | | 291,08 | B | 1610 | 12,70 | 41,28 | 25,40 | 76,20 | 5,770 | 3,7 | 0,4 | PHS 41-1TB72 | | |
| 80 | 330,96 | | 323,60 | B | 1610 | 12,70 | 41,28 | 25,40 | 76,20 | 5,770 | 4,4 | 0,4 | PHS 41-1TB80 | | |
| 96 | 395,48 | | 388,11 | B | 1610 | 12,70 | 41,28 | 25,40 | 76,20 | 5,770 | 5,9 | 0,4 | PHS 41-1TB96 | | |

All Type B or C sprockets, up to and including 25 tooth, are with hardened teeth as standard. For any additional size sprockets with hardened teeth, add "H" before the number of teeth, e.g. PHS 35-1TBH18.

ANSI sprockets, simplex, taper bushed

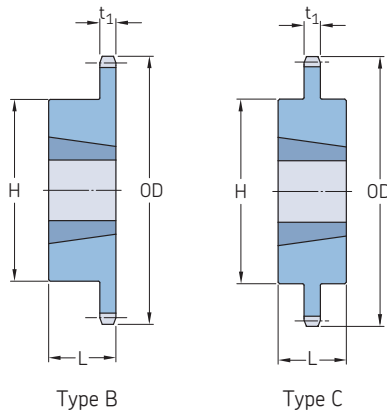
ANSI 40-1 · 12,70 mm (1/2") pitch | ANSI 50-1 · 15,88 mm (5/8") pitch | ANSI 60-1 · 19,05 mm (3/4") pitch

| Pitch | Number of teeth | Diameters | | Type | Bushing number | Dimensions | | | | Plate thickness t ₁ | Mass Rim | Bushing | Designation | | | |
|-------|-----------------|------------|----------|--------|----------------|------------|-------|-------|-------|--------------------------------|----------|---------|-------------|---------------|-----|---------------|
| | | Outside OD | Pitch PD | | | Bore | | L | H | | | | | | | |
| mm | in. | mm | mm | — | — | mm | mm | mm | mm | mm | kg | — | — | | | |
| 12,70 | 1/2 | 14 | 63,25 | 57,15 | B | 1008 | 9,53 | 25,40 | 22,23 | 46,04 | 7,210 | 0,1 | 0,1 | PHS 40-1TBH14 | | |
| | | 15 | 67,31 | 60,96 | B | 1008 | 9,53 | 25,40 | 22,23 | 46,04 | 7,210 | 0,2 | 0,1 | PHS 40-1TBH15 | | |
| | | 16 | 71,37 | 65,02 | B | 1008 | 9,53 | 25,40 | 22,23 | 49,21 | 7,210 | 0,2 | 0,1 | PHS 40-1TBH16 | | |
| | | 17 | 75,69 | 69,09 | B | 1210 | 15,88 | 31,75 | 25,40 | 60,33 | 7,210 | 0,2 | 0,1 | PHS 40-1TBH17 | | |
| | | 18 | 79,50 | 73,15 | B | 1210 | 15,88 | 31,75 | 25,40 | 62,71 | 7,210 | 0,3 | 0,3 | PHS 40-1TBH18 | | |
| | | 19 | 83,82 | 77,22 | B | 1210 | 15,88 | 31,75 | 25,40 | 62,71 | 7,210 | 0,3 | 0,3 | PHS 40-1TBH19 | | |
| | | 20 | 87,88 | 81,28 | B | 1610 | 12,70 | 41,28 | 25,40 | 70,64 | 7,210 | 0,3 | 0,4 | PHS 40-1TBH20 | | |
| | | 21 | 91,95 | 85,34 | B | 1610 | 12,70 | 41,28 | 25,40 | 70,64 | 7,210 | 0,4 | 0,4 | PHS 40-1TBH21 | | |
| | | 22 | 96,01 | 89,15 | B | 1610 | 12,70 | 41,28 | 25,40 | 70,64 | 7,210 | 0,4 | 0,4 | PHS 40-1TBH22 | | |
| | | 23 | 100,08 | 93,22 | B | 1610 | 12,70 | 41,28 | 25,40 | 76,20 | 7,210 | 0,5 | 0,4 | PHS 40-1TBH23 | | |
| | | 24 | 104,14 | 97,28 | B | 1610 | 12,70 | 41,28 | 25,40 | 82,55 | 7,210 | 0,6 | 0,4 | PHS 40-1TBH24 | | |
| | | 25 | 108,20 | 101,35 | B | 1610 | 12,70 | 41,28 | 25,40 | 82,55 | 7,210 | 0,7 | 0,4 | PHS 40-1TBH25 | | |
| | | 26 | 112,27 | 105,41 | B | 1610 | 12,70 | 41,28 | 25,40 | 82,55 | 7,210 | 0,8 | 0,4 | PHS 40-1TB26 | | |
| | | 28 | 120,40 | 113,54 | B | 1610 | 12,70 | 41,28 | 25,40 | 76,20 | 7,210 | 0,8 | 0,4 | PHS 40-1TB28 | | |
| | | 30 | 128,52 | 121,41 | B | 1610 | 12,70 | 41,28 | 25,40 | 76,20 | 7,210 | 0,9 | 0,4 | PHS 40-1TB30 | | |
| | | 32 | 136,65 | 129,54 | B | 1610 | 12,70 | 41,28 | 25,40 | 76,20 | 7,210 | 0,9 | 0,4 | PHS 40-1TB32 | | |
| | | 35 | 148,84 | 141,73 | B | 1610 | 12,70 | 41,28 | 25,40 | 76,20 | 7,210 | 1,0 | 0,4 | PHS 40-1TB35 | | |
| | | 36 | 152,65 | 145,80 | B | 1610 | 12,70 | 41,28 | 25,40 | 76,20 | 7,210 | 1,1 | 0,4 | PHS 40-1TB36 | | |
| | | 40 | 168,91 | 161,80 | B | 1610 | 12,70 | 41,28 | 25,40 | 76,20 | 7,210 | 1,3 | 0,4 | PHS 40-1TB40 | | |
| | | 42 | 177,04 | 169,93 | B | 1610 | 12,70 | 41,28 | 25,40 | 76,20 | 7,210 | 1,3 | 0,4 | PHS 40-1TB42 | | |
| | | 45 | 189,23 | 182,12 | B | 1610 | 12,70 | 41,28 | 25,40 | 76,20 | 7,210 | 1,6 | 0,4 | PHS 40-1TB45 | | |
| | | 48 | 201,42 | 194,06 | B | 1610 | 12,70 | 41,28 | 25,40 | 76,20 | 7,210 | 1,8 | 0,4 | PHS 40-1TB48 | | |
| | | 54 | 225,55 | 218,44 | B | 1610 | 12,70 | 41,28 | 25,40 | 76,20 | 7,210 | 2,2 | 0,4 | PHS 40-1TB54 | | |
| | | 60 | 249,94 | 242,57 | B | 1610 | 12,70 | 41,28 | 25,40 | 76,20 | 7,210 | 2,7 | 0,4 | PHS 40-1TB60 | | |
| | | 70 | 290,32 | 282,96 | B | 2012 | 19,05 | 50,80 | 31,75 | 90,49 | 7,210 | 3,7 | 0,8 | PHS 40-1TB70 | | |
| | | 72 | 298,45 | 291,08 | B | 2012 | 19,05 | 50,80 | 31,75 | 90,49 | 7,210 | 4,1 | 0,8 | PHS 40-1TB72 | | |
| | | 80 | 330,96 | 323,60 | B | 2012 | 19,05 | 50,80 | 31,75 | 90,49 | 7,210 | 4,9 | 0,8 | PHS 40-1TB80 | | |
| | | 84 | 346,96 | 339,60 | B | 2012 | 19,05 | 50,80 | 31,75 | 90,49 | 7,210 | 5,1 | 0,8 | PHS 40-1TB84 | | |
| | | 96 | 395,48 | 388,11 | B | 2012 | 19,05 | 50,80 | 31,75 | 90,49 | 7,210 | 6,6 | 0,8 | PHS 40-1TB96 | | |
| | | 112 | 460,25 | 452,88 | B | 2517 | 19,05 | 63,50 | 44,45 | 107,95 | 7,210 | 9,3 | 0,8 | PHS 40-1TB112 | | |
| | | 15,88 | 5/8 | 12 | 68,83 | 61,47 | B | 1008 | 9,53 | 25,40 | 22,23 | 49,21 | 8,710 | 0,2 | 0,1 | PHS 50-1TBH12 |
| | | | | 13 | 73,91 | 66,29 | B | 1008 | 9,53 | 25,40 | 22,23 | 46,04 | 8,710 | 0,2 | 0,1 | PHS 50-1TBH13 |
| | | | | 14 | 78,99 | 71,37 | B | 1008 | 9,53 | 25,40 | 22,23 | 49,21 | 8,710 | 0,3 | 0,1 | PHS 50-1TBH14 |
| | | | | 15 | 84,07 | 76,45 | B | 1210 | 15,88 | 31,75 | 25,40 | 62,71 | 8,710 | 0,3 | 0,3 | PHS 50-1TBH15 |
| | | | | 16 | 89,41 | 81,28 | B | 1610 | 12,70 | 41,28 | 25,40 | 70,64 | 8,710 | 0,3 | 0,4 | PHS 50-1TBH16 |
| | | | | 17 | 94,49 | 86,36 | B | 1610 | 12,70 | 41,28 | 25,40 | 70,64 | 8,710 | 0,4 | 0,4 | PHS 50-1TBH17 |
| | | | | 18 | 99,57 | 91,44 | B | 1610 | 12,70 | 41,28 | 25,40 | 70,64 | 8,710 | 0,4 | 0,4 | PHS 50-1TBH18 |
| | | | | 19 | 104,65 | 96,52 | B | 1610 | 12,70 | 41,28 | 25,40 | 76,20 | 8,710 | 0,6 | 0,4 | PHS 50-1TBH19 |
| | | | | 20 | 109,73 | 101,60 | B | 1610 | 12,70 | 41,28 | 25,40 | 82,55 | 8,710 | 0,7 | 0,4 | PHS 50-1TBH20 |
| | | | | 21 | 114,81 | 106,43 | B | 1610 | 12,70 | 41,28 | 25,40 | 76,20 | 8,710 | 0,7 | 0,4 | PHS 50-1TBH21 |
| | | | | 22 | 119,89 | 111,51 | B | 1610 | 12,70 | 41,28 | 25,40 | 76,20 | 8,710 | 0,7 | 0,4 | PHS 50-1TBH22 |
| | | | | 23 | 124,97 | 116,59 | B | 2012 | 19,05 | 50,80 | 31,75 | 90,49 | 8,710 | 0,9 | 0,8 | PHS 50-1TBH23 |
| | | | | 24 | 130,05 | 121,67 | B | 2012 | 19,05 | 50,80 | 31,75 | 90,49 | 8,710 | 1,0 | 0,8 | PHS 50-1TBH24 |
| | | | | 25 | 135,13 | 126,75 | B | 2012 | 19,05 | 50,80 | 31,75 | 90,49 | 8,710 | 1,1 | 0,8 | PHS 50-1TBH25 |
| | | | | 26 | 140,21 | 131,57 | B | 2012 | 19,05 | 50,80 | 31,75 | 90,49 | 8,710 | 1,1 | 0,8 | PHS 50-1TB26 |
| 27 | 145,29 | | | 136,65 | B | 2012 | 19,05 | 50,80 | 31,75 | 90,49 | 8,710 | 1,2 | 0,8 | PHS 50-1TB27 | | |
| 28 | 150,37 | | | 141,73 | B | 2012 | 19,05 | 50,80 | 31,75 | 90,49 | 8,710 | 1,3 | 0,8 | PHS 50-1TB28 | | |
| 30 | 160,53 | | | 151,89 | B | 2012 | 19,05 | 50,80 | 31,75 | 90,49 | 8,710 | 1,5 | 0,8 | PHS 50-1TB30 | | |
| 32 | 170,69 | | | 162,05 | B | 2012 | 19,05 | 50,80 | 31,75 | 90,49 | 8,710 | 1,6 | 0,8 | PHS 50-1TB32 | | |
| 35 | 185,93 | | | 177,04 | B | 2012 | 19,05 | 50,80 | 31,75 | 90,49 | 8,710 | 1,9 | 0,8 | PHS 50-1TB35 | | |
| 36 | 191,01 | | | 182,12 | B | 2012 | 19,05 | 50,80 | 31,75 | 90,49 | 8,710 | 2,0 | 0,8 | PHS 50-1TB36 | | |
| 40 | 211,33 | | | 202,44 | B | 2012 | 19,05 | 50,80 | 31,75 | 90,49 | 8,710 | 2,4 | 0,8 | PHS 50-1TB40 | | |
| 42 | 221,23 | | | 212,34 | B | 2012 | 19,05 | 50,80 | 31,75 | 90,49 | 8,710 | 2,7 | 0,8 | PHS 50-1TB42 | | |
| 45 | 236,47 | | | 227,58 | B | 2012 | 19,05 | 50,80 | 31,75 | 90,49 | 8,710 | 3,0 | 0,8 | PHS 50-1TB45 | | |
| 48 | 251,71 | | | 242,82 | B | 2012 | 19,05 | 50,80 | 31,75 | 90,49 | 8,710 | 3,3 | 0,8 | PHS 50-1TB48 | | |
| 54 | 282,19 | | | 273,05 | B | 2012 | 19,05 | 50,80 | 31,75 | 90,49 | 8,710 | 4,1 | 0,8 | PHS 50-1TB54 | | |
| 60 | 312,42 | | | 303,28 | B | 2012 | 19,05 | 50,80 | 31,75 | 90,49 | 8,710 | 4,9 | 0,8 | PHS 50-1TB60 | | |
| 70 | 362,97 | | | 353,82 | B | 2517 | 19,05 | 63,50 | 44,45 | 82,55 | 8,710 | 6,4 | 1,6 | PHS 50-1TB70 | | |
| 72 | 373,13 | | | 363,98 | B | 2517 | 19,05 | 63,50 | 44,45 | 82,55 | 8,710 | 7,0 | 1,6 | PHS 50-1TB72 | | |
| 80 | 413,51 | | | 404,37 | B | 2517 | 19,05 | 63,50 | 44,45 | 82,55 | 8,710 | 8,9 | 1,6 | PHS 50-1TB80 | | |
| 84 | 433,83 | | | 424,43 | B | 2517 | 19,05 | 63,50 | 44,45 | 82,55 | 8,710 | 10,2 | 1,6 | PHS 50-1TB84 | | |
| 96 | 494,54 | | | 485,14 | B | 2517 | 19,05 | 63,50 | 44,45 | 82,55 | 8,710 | 13,2 | 1,6 | PHS 50-1TB96 | | |
| 112 | 575,31 | | | 566,17 | B | 2517 | 19,05 | 63,50 | 44,45 | 82,55 | 8,710 | 17,6 | 1,6 | PHS 50-1TB112 | | |
| 19,05 | 3/4 | | | 11 | 76,20 | 67,56 | B | 1008 | 9,53 | 25,40 | 22,23 | 46,04 | 11,660 | 0,3 | 0,1 | PHS 60-1TBH11 |
| | | | | 12 | 82,55 | 73,66 | B | 1008 | 9,53 | 25,40 | 22,23 | 49,21 | 11,660 | 0,4 | 0,1 | PHS 60-1TBH12 |
| | | | | 13 | 88,65 | 79,50 | B | 1210 | 15,88 | 31,75 | 25,40 | 62,71 | 11,660 | 0,4 | 0,3 | PHS 60-1TBH13 |
| | | | | 14 | 95,00 | 85,60 | B | 1210 | 15,88 | 31,75 | 25,40 | 62,71 | 11,660 | 0,5 | 0,3 | PHS 60-1TBH14 |
| | | | | 15 | 101,09 | 91,69 | B | 1610 | 12,70 | 41,28 | 25,40 | 70,64 | 11,660 | 0,5 | 0,4 | PHS 60-1TBH15 |
| | | | | 16 | 107,19 | 97,54 | B | 1610 | 12,70 | 41,28 | 25,40 | 76,20 | 11,660 | 0,6 | 0,4 | PHS 60-1TBH16 |
| | | | | 17 | 113,28 | 103,63 | B | 1610 | 12,70 | 41,28 | 25,40 | 82,55 | 11,660 | 0,8 | 0,4 | PHS 60-1TBH17 |
| | | | | 18 | 119,38 | 109,73 | B | 1610 | 12,70 | 41,28 | 25,40 | 82,55 | 11,660 | 0,9 | 0,4 | PHS 60-1TBH18 |
| | | | | 19 | 125,73 | 115,82 | B | 1610 | 12,70 | 41,28 | 25,40 | 82,55 | 11,660 | 1,0 | 0,4 | PHS 60-1TBH19 |
| | | | | 20 | 131,57 | 121,67 | B | 2012 | 19,05 | 50,80 | 31,75 | 90,49 | 11,660 | 1,0 | 0,8 | PHS 60-1TBH20 |

All Type B or C sprockets, up to and including 25 tooth, are with hardened teeth as standard. For any additional size sprockets with hardened teeth, add "H" before the number of teeth, e.g. PHS 35-1TBH18.

ANSI sprockets, simplex, taper bushed

ANSI 60-1 · 19,05 mm (3/4") pitch | ANSI 80-1 · 25,40 mm (1") pitch | ANSI 100-1 · 31,75 mm (1 1/4") pitch



| Pitch | Number of teeth | Diameters | | Type | Bushing number | Dimensions | | | | Plate thickness t ₁ | Mass Rim | Bushing | Designation | | |
|-------|-----------------|------------|----------|--------|----------------|------------|-----------|--------|--------|--------------------------------|----------|--------------|-------------|----------------|--------------|
| | | Outside OD | Pitch PD | | | Bore Min. | Bore Max. | L | H | | | | | | |
| mm | in. | mm | mm | | | mm | mm | mm | mm | mm | kg | | | | |
| 19,05 | 3/4 | 21 | 137,92 | 127,76 | B | 2012 | 19,05 | 50,80 | 31,75 | 90,49 | 11,660 | 1,1 | 0,8 | PHS 60-1TBH21 | |
| | | 22 | 144,02 | 133,86 | B | 2012 | 19,05 | 50,80 | 31,75 | 90,49 | 11,660 | 1,3 | 0,8 | PHS 60-1TBH22 | |
| | | 23 | 150,11 | 139,95 | B | 2012 | 19,05 | 50,80 | 31,75 | 90,49 | 11,660 | 1,4 | 0,8 | PHS 60-1TBH23 | |
| | | 24 | 156,21 | 146,05 | B | 2012 | 19,05 | 50,80 | 31,75 | 90,49 | 11,660 | 1,5 | 0,8 | PHS 60-1TBH24 | |
| | | 25 | 162,31 | 151,89 | B | 2012 | 19,05 | 50,80 | 31,75 | 90,49 | 11,660 | 1,7 | 0,8 | PHS 60-1TBH25 | |
| | 25,40 | 1 | 26 | 168,40 | 157,99 | B | 2012 | 19,05 | 50,80 | 31,75 | 90,49 | 11,660 | 1,8 | 0,8 | PHS 60-1TB26 |
| | | | 27 | 174,50 | 163,07 | B | 2012 | 19,05 | 50,80 | 31,75 | 90,49 | 11,660 | 1,9 | 0,8 | PHS 60-1TB27 |
| | | | 28 | 180,59 | 170,18 | B | 2012 | 19,05 | 50,80 | 31,75 | 90,49 | 11,660 | 2,1 | 0,8 | PHS 60-1TB28 |
| | | | 30 | 192,79 | 182,12 | B | 2012 | 19,05 | 50,80 | 31,75 | 90,49 | 11,660 | 2,4 | 0,8 | PHS 60-1TB30 |
| | | | 32 | 204,72 | 194,31 | B | 2012 | 19,05 | 50,80 | 31,75 | 90,49 | 11,660 | 2,5 | 0,8 | PHS 60-1TB32 |
| | | | 35 | 223,01 | 212,60 | B | 2012 | 19,05 | 50,80 | 31,75 | 90,49 | 11,660 | 2,9 | 0,8 | PHS 60-1TB35 |
| | | | 36 | 229,11 | 218,69 | B | 2012 | 19,05 | 50,80 | 31,75 | 90,49 | 11,660 | 3,0 | 0,8 | PHS 60-1TB36 |
| | | | 40 | 253,49 | 242,82 | B | 2012 | 19,05 | 50,80 | 31,75 | 90,49 | 11,660 | 3,8 | 0,8 | PHS 60-1TB40 |
| | | | 42 | 265,68 | 255,02 | B | 2012 | 19,05 | 50,80 | 31,75 | 90,49 | 11,660 | 4,5 | 0,8 | PHS 60-1TB42 |
| | | | 45 | 283,97 | 273,05 | B | 2012 | 19,05 | 50,80 | 31,75 | 90,49 | 11,660 | 5,2 | 0,8 | PHS 60-1TB45 |
| | | | 48 | 302,01 | 291,34 | B | 2012 | 19,05 | 50,80 | 31,75 | 90,49 | 11,660 | 6,0 | 0,8 | PHS 60-1TB48 |
| | | | 54 | 338,58 | 327,66 | B | 2517 | 19,05 | 63,50 | 44,45 | 107,95 | 11,660 | 7,8 | 1,6 | PHS 60-1TB54 |
| | | | 60 | 374,90 | 363,98 | B | 2517 | 19,05 | 63,50 | 44,45 | 107,95 | 11,660 | 9,5 | 1,6 | PHS 60-1TB60 |
| | | | 70 | 435,61 | 424,69 | B | 2517 | 19,05 | 63,50 | 44,45 | 107,95 | 11,660 | 12,5 | 1,6 | PHS 60-1TB70 |
| | | | 72 | 447,80 | 436,63 | B | 2517 | 19,05 | 63,50 | 44,45 | 107,95 | 11,660 | 13,6 | 1,6 | PHS 60-1TB72 |
| 80 | 496,32 | 485,14 | B | 2517 | 19,05 | 63,50 | 44,45 | 107,95 | 11,660 | 16,5 | 1,6 | PHS 60-1TB80 | | | |
| 84 | 520,45 | 509,52 | B | 2517 | 19,05 | 63,50 | 44,45 | 107,95 | 11,660 | 18,4 | 1,6 | PHS 60-1TB84 | | | |
| 25,40 | 1 | 10 | 93,47 | 82,30 | B | 1215 | 15,88 | 31,75 | 38,10 | 60,33 | 14,600 | 0,5 | 0,4 | PHS 80-1TBH10 | |
| | | 11 | 101,85 | 90,17 | B | 1215 | 15,88 | 31,75 | 38,10 | 62,71 | 14,600 | 0,7 | 0,4 | PHS 80-1TBH11 | |
| | | 12 | 109,98 | 98,04 | B | 1615 | 12,70 | 41,28 | 38,10 | 76,20 | 14,600 | 0,8 | 0,5 | PHS 80-1TBH12 | |
| | | 13 | 118,36 | 106,17 | B | 1615 | 12,70 | 41,28 | 38,10 | 76,20 | 14,600 | 1,0 | 0,5 | PHS 80-1TBH13 | |
| | | 14 | 126,49 | 114,05 | B | 1615 | 12,70 | 41,28 | 38,10 | 82,55 | 14,600 | 1,1 | 0,5 | PHS 80-1TBH14 | |
| | | 15 | 134,62 | 122,17 | B | 1615 | 12,70 | 41,28 | 38,10 | 82,55 | 14,600 | 1,2 | 0,5 | PHS 80-1TBH15 | |
| | | 16 | 143,00 | 130,30 | B | 2012 | 19,05 | 50,80 | 31,75 | 90,49 | 14,600 | 1,3 | 0,8 | PHS 80-1TBH16 | |
| | | 17 | 151,13 | 138,18 | B | 2012 | 19,05 | 50,80 | 31,75 | 90,49 | 14,600 | 1,4 | 0,8 | PHS 80-1TBH17 | |
| | | 18 | 159,26 | 146,30 | B | 2012 | 19,05 | 50,80 | 31,75 | 90,49 | 14,600 | 1,2 | 0,8 | PHS 80-1TBH18 | |
| | | 19 | 167,39 | 154,43 | B | 2012 | 19,05 | 50,80 | 31,75 | 90,49 | 14,600 | 1,9 | 0,8 | PHS 80-1TBH19 | |
| | | 20 | 175,51 | 162,31 | B | 2517 | 19,05 | 63,50 | 44,45 | 107,95 | 14,600 | 2,5 | 0,8 | PHS 80-1TBH20 | |
| | | 21 | 183,90 | 170,43 | B | 2517 | 19,05 | 63,50 | 44,45 | 107,95 | 14,600 | 2,7 | 1,6 | PHS 80-1TBH21 | |
| | | 22 | 191,77 | 178,56 | B | 2517 | 19,05 | 63,50 | 44,45 | 107,95 | 14,600 | 3,0 | 1,6 | PHS 80-1TBH22 | |
| | | 23 | 200,15 | 186,44 | B | 2517 | 19,05 | 63,50 | 44,45 | 107,95 | 14,600 | 3,2 | 1,6 | PHS 80-1TBH23 | |
| | | 24 | 208,28 | 194,56 | B | 2517 | 19,05 | 63,50 | 44,45 | 107,95 | 14,600 | 3,4 | 1,6 | PHS 80-1TBH24 | |
| | | 25 | 216,41 | 202,69 | B | 2517 | 19,05 | 63,50 | 44,45 | 107,95 | 14,600 | 3,7 | 1,6 | PHS 80-1TBH25 | |
| | | 26 | 224,54 | 210,82 | B | 2517 | 19,05 | 63,50 | 44,45 | 107,95 | 14,600 | 4,0 | 1,6 | PHS 80-1TB26 | |
| | | 27 | 232,66 | 218,69 | B | 2517 | 19,05 | 63,50 | 44,45 | 107,95 | 14,600 | 4,1 | 1,6 | PHS 80-1TB27 | |
| | | 28 | 240,54 | 226,82 | B | 2517 | 19,05 | 63,50 | 44,45 | 107,95 | 14,600 | 4,3 | 1,6 | PHS 80-1TB28 | |
| | | 30 | 256,79 | 243,08 | B | 2517 | 19,05 | 63,50 | 44,45 | 107,95 | 14,600 | 5,2 | 1,6 | PHS 80-1TB30 | |
| 32 | 273,05 | 259,08 | B | 2517 | 19,05 | 63,50 | 44,45 | 107,95 | 14,600 | 5,4 | 1,6 | PHS 80-1TB32 | | | |
| 35 | 297,43 | 283,46 | B | 2517 | 19,05 | 63,50 | 44,45 | 107,95 | 14,600 | 6,9 | 1,6 | PHS 80-1TB35 | | | |
| 36 | 305,56 | 291,34 | B | 2517 | 19,05 | 63,50 | 44,45 | 107,95 | 14,600 | 7,7 | 1,6 | PHS 80-1TB36 | | | |
| 40 | 338,07 | 323,85 | B | 2517 | 19,05 | 63,50 | 44,45 | 107,95 | 14,600 | 9,5 | 1,6 | PHS 80-1TB40 | | | |
| 45 | 378,46 | 364,24 | B | 2517 | 19,05 | 63,50 | 44,45 | 107,95 | 14,600 | 12,0 | 1,6 | PHS 80-1TB45 | | | |
| 48 | 402,84 | 388,37 | B | 2517 | 19,05 | 63,50 | 44,45 | 107,95 | 14,600 | 13,4 | 1,6 | PHS 80-1TB48 | | | |
| 54 | 451,36 | 436,88 | B | 2517 | 19,05 | 63,50 | 44,45 | 107,95 | 14,600 | 17,5 | 1,6 | PHS 80-1TB54 | | | |
| 60 | 499,87 | 485,39 | B | 2517 | 19,05 | 63,50 | 44,45 | 107,95 | 14,600 | 20,4 | 1,6 | PHS 80-1TB60 | | | |
| 70 | 580,90 | 566,17 | B | 3020 | 31,75 | 76,20 | 50,80 | 133,35 | 14,600 | 23,7 | 3,0 | PHS 80-1TB70 | | | |
| 80 | 661,67 | 646,94 | B | 3020 | 31,75 | 76,20 | 50,80 | 133,35 | 14,600 | 31,4 | 3,0 | PHS 80-1TB80 | | | |
| 31,75 | 1 1/4 | 11 | 127,25 | 112,78 | B | 1615 | 12,70 | 41,28 | 38,10 | 76,20 | 17,580 | 1,2 | 0,5 | PHS 100-1TBH11 | |

All Type B or C sprockets, up to and including 25 tooth, are with hardened teeth as standard. For any additional size sprockets with hardened teeth, add "H" before the number of teeth, e.g. PHS 35-1TBH18.

ANSI sprockets, simplex, taper bushed

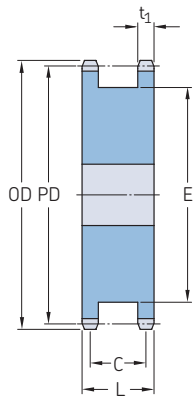
ANSI 100-1 · 31,75 mm (1¼") pitch | ANSI 120-1 · 38,10 mm (1½") pitch | ANSI 140-1 · 44,45 mm (1¾") pitch | ANSI 160-1 · 50,80 mm (2") pitch

| Pitch | Number of teeth | Diameters | | Type | Bushing number | Dimensions | | | | Plate thickness t_1 | Mass Rim | Bushing | Designation | | | |
|-------|-----------------|-----------|---------|--------|----------------|------------|--------|--------|--------|-----------------------|----------|---------|----------------|----------------|----------------|----------------|
| | | Outside | Pitch | | | Bore | | L | H | | | | | | | |
| | | OD | PD | | | Min. | Max. | | | | | | | | | |
| mm | in. | mm | mm | mm | mm | mm | mm | kg | mm | | | | | | | |
| 31,75 | 1¼ | 12 | 137,67 | 122,68 | B | 1615 | 12,70 | 41,28 | 38,10 | 82,55 | 17,580 | 1,6 | 0,5 | PHS 100-1TBH12 | | |
| | | 13 | 147,83 | 132,59 | B | 2012 | 19,05 | 50,80 | 31,75 | 90,49 | 17,580 | 1,6 | 0,8 | PHS 100-1TBH13 | | |
| | | 14 | 158,24 | 142,75 | B | 2012 | 19,05 | 50,80 | 31,75 | 90,49 | 17,580 | 1,8 | 0,8 | PHS 100-1TBH14 | | |
| | | 15 | 168,40 | 152,65 | B | 2517 | 19,05 | 63,50 | 44,45 | 107,95 | 17,580 | 2,3 | 1,6 | PHS 100-1TBH15 | | |
| | 16 | 178,56 | 162,81 | B | 2517 | 19,05 | 63,50 | 44,45 | 114,30 | 17,580 | 2,9 | 1,6 | PHS 100-1TBH16 | | | |
| | 17 | 188,98 | 172,72 | B | 2517 | 19,05 | 63,50 | 44,45 | 114,30 | 17,580 | 3,2 | 1,6 | PHS 100-1TBH17 | | | |
| | 18 | 199,14 | 182,88 | B | 2517 | 19,05 | 63,50 | 44,45 | 114,30 | 17,580 | 3,5 | 1,6 | PHS 100-1TBH18 | | | |
| | 19 | 209,30 | 192,79 | B | 2517 | 19,05 | 63,50 | 44,45 | 114,30 | 17,580 | 4,0 | 1,6 | PHS 100-1TBH19 | | | |
| | 20 | 219,46 | 202,95 | B | 2517 | 19,05 | 63,50 | 44,45 | 114,30 | 17,580 | 4,4 | 1,6 | PHS 100-1TBH20 | | | |
| | 21 | 229,62 | 213,11 | B | 2517 | 19,05 | 63,50 | 44,45 | 114,30 | 17,580 | 4,8 | 1,6 | PHS 100-1TBH21 | | | |
| | 22 | 239,78 | 223,01 | B | 2517 | 19,05 | 63,50 | 44,45 | 114,30 | 17,580 | 5,0 | 1,6 | PHS 100-1TBH22 | | | |
| | 24 | 260,10 | 243,33 | B | 2517 | 19,05 | 63,50 | 44,45 | 114,30 | 17,580 | 5,9 | 1,6 | PHS 100-1TBH24 | | | |
| | 26 | 280,42 | 263,40 | B | 2517 | 19,05 | 63,50 | 44,45 | 114,30 | 17,580 | 6,8 | 1,6 | PHS 100-1TB26 | | | |
| | 28 | 300,74 | 283,46 | B | 3020 | 31,75 | 76,20 | 50,80 | 133,35 | 17,580 | 7,5 | 3,0 | PHS 100-1TB28 | | | |
| | 30 | 321,06 | 303,78 | B | 3020 | 31,75 | 76,20 | 50,80 | 133,35 | 17,580 | 10,0 | 3,0 | PHS 100-1TB30 | | | |
| | 32 | 341,38 | 323,85 | B | 3020 | 31,75 | 76,20 | 50,80 | 133,35 | 17,580 | 10,4 | 3,0 | PHS 100-1TB32 | | | |
| | 35 | 371,86 | 354,33 | B | 3020 | 31,75 | 76,20 | 50,80 | 133,35 | 17,580 | 12,7 | 3,0 | PHS 100-1TB35 | | | |
| | 36 | 382,02 | 364,24 | B | 3020 | 31,75 | 76,20 | 50,80 | 133,35 | 17,580 | 14,1 | 3,0 | PHS 100-1TB36 | | | |
| | 40 | 422,40 | 404,62 | B | 3020 | 31,75 | 76,20 | 50,80 | 133,35 | 17,580 | 16,8 | 3,0 | PHS 100-1TB40 | | | |
| | 45 | 473,20 | 455,17 | B | 3020 | 31,75 | 76,20 | 50,80 | 133,35 | 17,580 | 20,9 | 3,0 | PHS 100-1TB45 | | | |
| | 48 | 503,43 | 485,39 | B | 3020 | 31,75 | 76,20 | 50,80 | 133,35 | 17,580 | 24,0 | 3,0 | PHS 100-1TB48 | | | |
| | 54 | 564,13 | 546,10 | B | 3020 | 31,75 | 76,20 | 50,80 | 133,35 | 17,580 | 28,1 | 3,0 | PHS 100-1TB54 | | | |
| | 60 | 624,84 | 606,55 | B | 3020 | 31,75 | 76,20 | 50,80 | 133,35 | 17,580 | 32,7 | 3,0 | PHS 100-1TB60 | | | |
| | 38,10 | 1½ | 12 | 165,10 | 147,32 | B | 2012 | 19,05 | 50,80 | 31,75 | 90,49 | 23,470 | 2,5 | 0,8 | PHS 120-1TBH12 | |
| | | | 13 | 175,26 | 159,26 | B | 2517 | 19,05 | 63,50 | 44,45 | 107,95 | 23,470 | 2,7 | 1,6 | PHS 120-1TBH13 | |
| | | | 14 | 189,74 | 171,20 | B | 2517 | 19,05 | 63,50 | 44,45 | 107,95 | 23,470 | 3,2 | 1,6 | PHS 120-1TBH14 | |
| | | | 15 | 202,18 | 183,13 | B | 2517 | 19,05 | 63,50 | 44,45 | 107,95 | 23,470 | 3,6 | 1,6 | PHS 120-1TBH15 | |
| | | 16 | 214,38 | 195,33 | B | 3020 | 31,75 | 76,20 | 50,80 | 133,35 | 23,470 | 4,5 | 3,0 | PHS 120-1TBH16 | | |
| | | 17 | 226,57 | 207,26 | B | 3020 | 31,75 | 76,20 | 50,80 | 133,35 | 23,470 | 5,0 | 3,0 | PHS 120-1TBH17 | | |
| | | 18 | 239,01 | 219,46 | B | 3020 | 31,75 | 76,20 | 50,80 | 133,35 | 23,470 | 5,4 | 3,0 | PHS 120-1TBH18 | | |
| | | 19 | 251,21 | 231,39 | B | 3020 | 31,75 | 76,20 | 50,80 | 133,35 | 23,470 | 6,4 | 3,0 | PHS 120-1TBH19 | | |
| | | 20 | 263,40 | 243,59 | B | 3020 | 31,75 | 76,20 | 50,80 | 133,35 | 23,470 | 7,0 | 3,0 | PHS 120-1TBH20 | | |
| | | 21 | 275,59 | 255,52 | B | 3020 | 31,75 | 76,20 | 50,80 | 133,35 | 23,470 | 7,9 | 3,0 | PHS 120-1TBH21 | | |
| | | 24 | 312,17 | 291,85 | B | 3020 | 31,75 | 76,20 | 50,80 | 133,35 | 23,470 | 10,7 | 3,0 | PHS 120-1TBH24 | | |
| | | 26 | 336,55 | 315,98 | B | 3020 | 31,75 | 76,20 | 50,80 | 133,35 | 23,470 | 12,9 | 3,0 | PHS 120-1TB26 | | |
| | | 30 | 385,32 | 364,49 | B | 3020 | 31,75 | 76,20 | 50,80 | 133,35 | 23,470 | 15,2 | 3,0 | PHS 120-1TB30 | | |
| | | 35 | 446,28 | 424,94 | C | 3020 | 31,75 | 76,20 | 50,80 | 133,35 | 23,470 | 23,6 | 3,0 | PHS 120-1TB35 | | |
| | | 45 | 567,69 | 546,10 | C | 3030 | 31,75 | 76,20 | 76,20 | 149,23 | 23,470 | 37,2 | 4,2 | PHS 120-1TB45 | | |
| | | 60 | 749,81 | 727,96 | C | 3535 | 38,10 | 88,90 | 88,90 | 165,10 | 23,470 | 63,5 | 6,4 | PHS 120-1TB60 | | |
| | | 70 | 871,22 | 849,12 | C | 3535 | 38,10 | 88,90 | 88,90 | 165,10 | 23,470 | 79,4 | 6,4 | PHS 120-1TB70 | | |
| | | 80 | 992,63 | 970,53 | C | 3535 | 38,10 | 82,55 | 88,90 | 165,10 | 23,470 | 99,8 | 6,4 | PHS 120-1TB80 | | |
| | | 44,45 | 1¾ | 12 | 192,53 | 171,70 | B | 2517 | 19,05 | 63,50 | 44,45 | 107,95 | 23,470 | 3,2 | 1,6 | PHS 140-1TBH12 |
| | | | | 13 | 207,01 | 185,67 | B | 3020 | 31,75 | 76,20 | 50,80 | 133,35 | 23,470 | 3,6 | 3,0 | PHS 140-1TBH13 |
| | | | | 14 | 221,49 | 199,64 | B | 3020 | 31,75 | 76,20 | 50,80 | 133,35 | 23,470 | 4,5 | 3,0 | PHS 140-1TBH14 |
| 15 | | | | 235,71 | 213,87 | B | 3020 | 31,75 | 76,20 | 50,80 | 133,35 | 23,470 | 5,4 | 3,0 | PHS 140-1TBH15 | |
| 16 | | | 250,19 | 227,84 | B | 3020 | 31,75 | 76,20 | 50,80 | 133,35 | 23,470 | 6,4 | 3,0 | PHS 140-1TBH16 | | |
| 17 | | | 264,41 | 241,81 | B | 3020 | 31,75 | 76,20 | 50,80 | 133,35 | 23,470 | 7,3 | 3,0 | PHS 140-1TBH17 | | |
| 18 | | | 278,64 | 256,03 | B | 3020 | 31,75 | 76,20 | 50,80 | 133,35 | 23,470 | 8,2 | 3,0 | PHS 140-1TBH18 | | |
| 19 | | | 293,12 | 270,00 | B | 3020 | 31,75 | 76,20 | 50,80 | 133,35 | 23,470 | 9,1 | 3,0 | PHS 140-1TBH19 | | |
| 21 | | | 321,56 | 298,20 | B | 3020 | 31,75 | 76,20 | 50,80 | 133,35 | 23,470 | 10,9 | 3,0 | PHS 140-1TBH21 | | |
| 26 | | | 392,68 | 368,81 | B | 3020 | 31,75 | 76,20 | 50,80 | 133,35 | 23,470 | 18,1 | 3,0 | PHS 140-1TB26 | | |
| 35 | | | 520,45 | 495,81 | C | 3535 | 38,10 | 88,90 | 88,90 | 165,10 | 23,470 | 35,4 | 6,4 | PHS 140-1TB35 | | |
| 45 | | | 662,43 | 637,29 | C | 4040 | 44,45 | 101,60 | 101,60 | 196,85 | 23,470 | 53,5 | 10,0 | PHS 140-1TB45 | | |
| 60 | | | 874,78 | 849,38 | C | 4040 | 44,45 | 101,60 | 101,60 | 196,85 | 23,470 | 85,3 | 10,0 | PHS 140-1TB60 | | |
| 70 | | | 1016,51 | 990,85 | C | 4040 | 44,45 | 101,60 | 101,60 | 196,85 | 23,470 | 109,3 | 10,0 | PHS 140-1TB70 | | |
| 50,80 | 2 | | 11 | 203,45 | 180,34 | B | 2517 | 19,05 | 63,50 | 44,45 | 107,95 | 29,360 | 4,1 | 1,6 | PHS 160-1TBH11 | |
| | | | 12 | 219,96 | 196,34 | B | 3020 | 31,75 | 76,20 | 50,80 | 133,35 | 29,360 | 5,0 | 3,0 | PHS 160-1TBH12 | |
| | | | 13 | 236,47 | 212,34 | B | 3020 | 31,75 | 76,20 | 50,80 | 133,35 | 29,360 | 5,9 | 3,0 | PHS 160-1TBH13 | |
| | | | 14 | 252,98 | 228,35 | B | 3020 | 31,75 | 76,20 | 50,80 | 133,35 | 29,360 | 7,3 | 3,0 | PHS 160-1TBH14 | |
| | 15 | | 269,49 | 244,35 | B | 3535 | 38,10 | 88,90 | 88,90 | 165,10 | 29,360 | 11,3 | 6,4 | PHS 160-1TBH15 | | |
| | 16 | | 286,00 | 260,35 | B | 3535 | 38,10 | 88,90 | 88,90 | 165,10 | 29,360 | 12,7 | 6,4 | PHS 160-1TBH16 | | |
| | 17 | 302,26 | 276,35 | B | 3535 | 38,10 | 88,90 | 88,90 | 165,10 | 29,360 | 14,5 | 6,4 | PHS 160-1TBH17 | | | |
| | 18 | 318,52 | 292,61 | B | 3535 | 38,10 | 88,90 | 88,90 | 165,10 | 29,360 | 15,9 | 6,4 | PHS 160-1TBH18 | | | |
| | 19 | 335,03 | 308,61 | B | 3535 | 38,10 | 88,90 | 88,90 | 165,10 | 29,360 | 17,7 | 6,4 | PHS 160-1TBH19 | | | |
| | 21 | 367,54 | 340,87 | B | 3535 | 38,10 | 88,90 | 88,90 | 165,10 | 29,360 | 21,8 | 6,4 | PHS 160-1TBH21 | | | |
| | 26 | 448,82 | 421,39 | B | 3535 | 38,10 | 88,90 | 88,90 | 165,10 | 29,360 | 30,8 | 6,4 | PHS 160-1TB26 | | | |
| | 35 | 594,87 | 566,67 | C | 4040 | 44,45 | 101,60 | 101,60 | 196,85 | 29,360 | 53,5 | 6,4 | PHS 160-1TB35 | | | |
| | 45 | 756,92 | 728,22 | C | 4040 | 44,45 | 101,60 | 101,60 | 196,85 | 29,360 | 84,4 | 10,0 | PHS 160-1TB45 | | | |
| | 60 | 999,74 | 970,79 | C | 4545 | 53,98 | 114,30 | 114,30 | 196,85 | 29,360 | 132,5 | 13,6 | PHS 160-1TB60 | | | |

All Type B or C sprockets, up to and including 25 tooth, are with hardened teeth as standard.
For any additional size sprockets with hardened teeth, add "H" before the number of teeth, e.g. PHS 35-1TBH18.

ANSI sprockets, double simplex, pilot bore

ANSI 40-1 · 12,70 mm (1/2") pitch | ANSI 50-1 · 15,88 mm (5/8") pitch | ANSI 60-1 · 19,05 mm (3/4") pitch |
 ANSI 80-1 · 25,40 mm (1") pitch | ANSI 100-1 · 31,75 mm (1 1/4") pitch



Type A

| Pitch | Pitch | Number of teeth | Diameters | | Type | Dimensions | | | | | Plate thickness t ₁ | Mass | Designation | | |
|-------|--------|-----------------|-----------|--------|--------|------------|--------|-------|-------|--------|--------------------------------|--------|----------------|-----|----------------|
| | | | Outside | Pitch | | Bore | | L | C | E | | | | | |
| mm | in. | - | mm | mm | - | mm | mm | mm | mm | mm | mm | kg | - | | |
| 12,70 | 1/2 | 15 | 67,31 | 60,96 | A | 12,70 | 31,75 | 35,72 | 28,58 | 46,04 | 7,210 | 0,5 | PHS 40-1DSA15 | | |
| | | 16 | 71,37 | 65,02 | A | 12,70 | 31,75 | 35,72 | 28,58 | 50,80 | 7,210 | 0,6 | PHS 40-1DSA16 | | |
| | | 17 | 75,69 | 69,09 | A | 12,70 | 33,34 | 35,72 | 28,58 | 53,98 | 7,210 | 0,7 | PHS 40-1DSA17 | | |
| | | 18 | 79,76 | 73,15 | A | 12,70 | 38,10 | 35,72 | 28,58 | 58,74 | 7,210 | 0,8 | PHS 40-1DSA18 | | |
| | | 19 | 83,82 | 77,22 | A | 15,88 | 42,86 | 35,72 | 28,58 | 63,50 | 7,210 | 1,0 | PHS 40-1DSA19 | | |
| | | 20 | 87,88 | 81,28 | A | 15,88 | 44,45 | 35,72 | 28,58 | 66,68 | 7,210 | 1,2 | PHS 40-1DSA20 | | |
| | | 21 | 91,95 | 85,34 | A | 15,88 | 44,45 | 35,72 | 28,58 | 70,64 | 7,210 | 1,3 | PHS 40-1DSA21 | | |
| | | 22 | 96,01 | 89,15 | A | 15,88 | 46,04 | 35,72 | 28,58 | 74,61 | 7,210 | 1,4 | PHS 40-1DSA22 | | |
| | | 23 | 100,08 | 93,22 | A | 15,88 | 52,39 | 35,72 | 28,58 | 53,18 | 7,210 | 1,6 | PHS 40-1DSA23 | | |
| | | 24 | 104,14 | 97,28 | A | 15,88 | 57,15 | 35,72 | 28,58 | 57,55 | 7,210 | 1,8 | PHS 40-1DSA24 | | |
| | | 25 | 108,20 | 101,35 | A | 15,88 | 57,15 | 35,72 | 28,58 | 61,91 | 7,210 | 2,0 | PHS 40-1DSA25 | | |
| | | 15,88 | 5/8 | 15 | 84,33 | 76,45 | A | 15,88 | 38,10 | 42,07 | 30,16 | 60,33 | 8,710 | 1,0 | PHS 50-1DSA15 |
| | | | | 16 | 89,41 | 81,28 | A | 15,88 | 42,86 | 42,07 | 33,34 | 63,50 | 8,710 | 1,1 | PHS 50-1DSA16 |
| | | | | 17 | 94,49 | 86,36 | A | 15,88 | 44,45 | 42,07 | 33,34 | 68,26 | 8,710 | 1,3 | PHS 50-1DSA17 |
| | | | | 18 | 99,57 | 91,44 | A | 15,88 | 47,63 | 42,07 | 33,34 | 73,42 | 8,710 | 1,5 | PHS 50-1DSA18 |
| | | | | 19 | 104,65 | 96,52 | A | 15,88 | 52,39 | 42,07 | 33,34 | 78,18 | 8,710 | 1,7 | PHS 50-1DSA19 |
| 20 | 109,73 | | | 101,60 | A | 15,88 | 57,15 | 42,07 | 33,34 | 83,34 | 8,710 | 1,9 | PHS 50-1DSA20 | | |
| 21 | 114,81 | | | 106,43 | A | 15,88 | 57,15 | 42,07 | 33,34 | 88,50 | 8,710 | 2,2 | PHS 50-1DSA21 | | |
| 22 | 119,89 | | | 111,51 | A | 15,88 | 61,91 | 42,07 | 33,34 | 93,66 | 8,710 | 2,4 | PHS 50-1DSA22 | | |
| 23 | 124,97 | | | 116,59 | A | 15,88 | 66,68 | 42,07 | 33,34 | 98,82 | 8,710 | 2,6 | PHS 50-1DSA23 | | |
| 24 | 130,05 | | | 121,67 | A | 15,88 | 69,85 | 42,07 | 33,34 | 103,58 | 8,710 | 2,9 | PHS 50-1DSA24 | | |
| 19,05 | 3/4 | | | 13 | 88,65 | 79,50 | A | 19,05 | 31,75 | 49,21 | 37,70 | 59,53 | 11,660 | 1,2 | PHS 60-1DSA13 |
| | | | | 14 | 95,00 | 85,60 | A | 19,05 | 33,34 | 49,21 | 37,70 | 65,09 | 11,660 | 1,5 | PHS 60-1DSA14 |
| | | | | 15 | 101,09 | 91,69 | A | 19,05 | 38,10 | 49,21 | 37,70 | 73,03 | 11,660 | 1,7 | PHS 60-1DSA15 |
| | | | | 16 | 107,19 | 97,54 | A | 19,05 | 42,86 | 49,21 | 37,70 | 77,39 | 11,660 | 2,0 | PHS 60-1DSA16 |
| | | | | 17 | 113,28 | 103,63 | A | 19,05 | 44,45 | 49,21 | 37,70 | 82,55 | 11,660 | 2,4 | PHS 60-1DSA17 |
| | | | | 18 | 119,38 | 109,73 | A | 19,05 | 47,63 | 49,21 | 37,70 | 88,90 | 11,660 | 3,0 | PHS 60-1DSA18 |
| | | 19 | 125,73 | 115,82 | A | 19,05 | 52,39 | 49,21 | 37,70 | 94,06 | 11,660 | 3,1 | PHS 60-1DSA19 | | |
| | | 20 | 131,83 | 121,67 | A | 19,05 | 57,15 | 49,21 | 37,70 | 100,41 | 11,660 | 3,2 | PHS 60-1DSA20 | | |
| | | 21 | 137,92 | 127,76 | A | 19,05 | 69,85 | 49,21 | 37,70 | 106,36 | 11,660 | 3,4 | PHS 60-1DSA21 | | |
| | | 22 | 144,02 | 133,86 | A | 19,05 | 69,85 | 49,21 | 37,70 | 112,71 | 11,660 | 5,0 | PHS 60-1DSA22 | | |
| | | 23 | 150,11 | 139,95 | A | 19,05 | 69,85 | 49,21 | 37,70 | 118,27 | 11,660 | 5,2 | PHS 60-1DSA23 | | |
| | | 24 | 156,21 | 146,05 | A | 19,05 | 69,85 | 49,21 | 37,70 | 131,76 | 11,660 | 5,4 | PHS 60-1DSA24 | | |
| | | 25,40 | 1 | 13 | 118,36 | 106,17 | A | 25,40 | 50,80 | 55,56 | 41,28 | 76,60 | 14,600 | 3,0 | PHS 80-1DSA13 |
| | | | | 14 | 126,49 | 114,05 | A | 25,40 | 57,15 | 55,56 | 41,28 | 84,93 | 14,600 | 3,5 | PHS 80-1DSA14 |
| | | | | 15 | 134,62 | 122,17 | A | 25,40 | 60,33 | 55,56 | 41,28 | 96,84 | 14,600 | 4,1 | PHS 80-1DSA15 |
| | | | | 16 | 143,00 | 130,30 | A | 25,40 | 68,26 | 55,56 | 41,28 | 101,60 | 14,600 | 4,3 | PHS 80-1DSA16 |
| 17 | 151,13 | | | 138,18 | A | 25,40 | 71,44 | 55,56 | 41,28 | 109,54 | 14,600 | 4,9 | PHS 80-1DSA17 | | |
| 18 | 159,26 | | | 146,30 | A | 25,40 | 79,38 | 55,56 | 41,28 | 117,87 | 14,600 | 5,5 | PHS 80-1DSA18 | | |
| 19 | 167,39 | | | 154,43 | A | 25,40 | 82,55 | 55,56 | 41,28 | 125,81 | 14,600 | 5,8 | PHS 80-1DSA19 | | |
| 20 | 175,51 | | | 162,31 | A | 25,40 | 88,90 | 55,56 | 41,28 | 134,14 | 14,600 | 6,4 | PHS 80-1DSA20 | | |
| 21 | 183,90 | | | 170,43 | A | 25,40 | 95,25 | 55,56 | 41,28 | 142,08 | 14,600 | 7,5 | PHS 80-1DSA21 | | |
| 22 | 192,02 | | | 178,56 | A | 25,40 | 98,43 | 55,56 | 41,28 | 150,42 | 14,600 | 8,4 | PHS 80-1DSA22 | | |
| 23 | 200,15 | | | 186,44 | A | 25,40 | 98,43 | 55,56 | 41,28 | 158,35 | 14,600 | 9,3 | PHS 80-1DSA23 | | |
| 31,75 | 1 1/4 | | | 13 | 147,83 | 132,59 | A | 25,40 | 63,50 | 68,26 | 50,80 | 96,04 | 17,580 | 5,1 | PHS 100-1DSA13 |
| | | | | 14 | 158,24 | 142,75 | A | 31,75 | 69,85 | 68,26 | 50,80 | 106,36 | 17,580 | 6,1 | PHS 100-1DSA14 |
| | | | | 15 | 168,40 | 152,65 | A | 31,75 | 77,79 | 68,26 | 50,80 | 116,68 | 17,580 | 7,6 | PHS 100-1DSA15 |
| | | | | 16 | 178,56 | 162,81 | A | 31,75 | 82,55 | 68,26 | 50,80 | 127,00 | 17,580 | 8,8 | PHS 100-1DSA16 |
| | | | | 17 | 188,98 | 172,72 | A | 31,75 | 92,08 | 68,26 | 50,80 | 137,32 | 17,580 | 9,8 | PHS 100-1DSA17 |
| | | 18 | 199,14 | 182,88 | A | 31,75 | 95,25 | 68,26 | 50,80 | 147,24 | 17,580 | 10,4 | PHS 100-1DSA18 | | |
| | | 19 | 209,30 | 192,79 | A | 31,75 | 106,36 | 68,26 | 50,80 | 157,56 | 17,580 | 11,3 | PHS 100-1DSA19 | | |
| | | 20 | 219,46 | 202,95 | A | 31,75 | 106,36 | 68,26 | 50,80 | 167,88 | 17,580 | 12,0 | PHS 100-1DSA20 | | |

All Type B or C sprockets, up to and including 25 tooth, are with hardened teeth as standard.
 For any additional size sprockets with hardened teeth, add "H" before the number of teeth, e.g. PHS 40-1DSAH15.

ANSI sprockets, double simplex, pilot bore

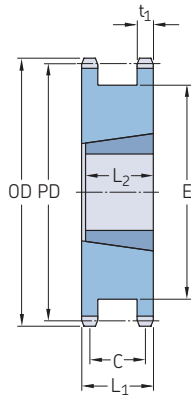
ANSI 100-1 · 31,75 mm (1¼") pitch | ANSI 120-1 · 38,10 mm (1½") pitch | ANSI 140-1 · 44,45 mm (1¾") pitch |
ANSI 160-1 · 50,80 mm (2") pitch

| Pitch | | Number of teeth | Diameters | | Type | Dimensions | | | | | Plate thickness t_t | Mass | Designation |
|--------------|------------|-----------------|-----------|--------|------|------------|--------|--------|-------|--------|-----------------------|------|-----------------------|
| Pitch | | | Outside | Pitch | | Bore | | L | C | E | | | |
| mm | in. | | OD | PD | | Min. | Max. | | | | | | |
| | | – | mm | – | mm | | | | | | kg | – | |
| 31,75 | 1 ¼ | 21 | 229,62 | 213,11 | A | 31,75 | 133,35 | 68,26 | 50,80 | 177,80 | 17,580 | 13,2 | PHS 100-1DSA21 |
| 38,10 | 1 ½ | 15 | 202,18 | 183,13 | A | 36,51 | 95,25 | 84,93 | 61,91 | 139,70 | 23,470 | 13,6 | PHS 120-1DSA15 |
| | | 16 | 214,38 | 195,33 | A | 36,51 | 101,60 | 84,93 | 61,91 | 152,40 | 23,470 | 15,4 | PHS 120-1DSA16 |
| | | 17 | 226,57 | 207,26 | A | 36,51 | 112,71 | 84,93 | 61,91 | 164,70 | 23,470 | 16,8 | PHS 120-1DSA17 |
| | | 18 | 239,01 | 219,46 | A | 36,51 | 131,76 | 84,93 | 61,91 | 164,70 | 23,470 | 19,1 | PHS 120-1DSA18 |
| | | 19 | 251,21 | 231,39 | A | 36,51 | 139,70 | 84,93 | 61,91 | 189,31 | 23,470 | 21,3 | PHS 120-1DSA19 |
| | | 20 | 263,40 | 243,59 | A | 36,51 | 150,81 | 84,93 | 61,91 | 201,61 | 23,470 | 23,1 | PHS 120-1DSA20 |
| 44,45 | 1 ¾ | 14 | 221,49 | 199,64 | A | 36,51 | 98,43 | 91,68 | 68,26 | 149,23 | 23,470 | 15,9 | PHS 140-1DSA14 |
| | | 15 | 235,71 | 213,87 | A | 36,51 | 112,71 | 91,68 | 68,26 | 163,91 | 23,470 | 19,5 | PHS 140-1DSA15 |
| | | 16 | 250,19 | 227,84 | A | 36,51 | 133,35 | 91,68 | 68,26 | 178,20 | 23,470 | 22,2 | PHS 140-1DSA16 |
| | | 17 | 264,41 | 241,81 | A | 36,51 | 141,29 | 91,68 | 68,26 | 192,48 | 23,470 | 26,3 | PHS 140-1DSA17 |
| | | 18 | 278,89 | 256,03 | A | 36,51 | 155,58 | 91,68 | 68,26 | 206,77 | 23,470 | 29,9 | PHS 140-1DSA18 |
| 50,80 | 2 | 15 | 269,49 | 244,35 | A | 42,86 | 139,70 | 107,95 | 78,58 | 187,33 | 23,470 | 31,3 | PHS 160-1DSA15 |
| | | 16 | 286,00 | 260,35 | A | 42,86 | 152,40 | 107,95 | 78,58 | 203,60 | 23,470 | 34,0 | PHS 160-1DSA16 |
| | | 17 | 302,26 | 276,35 | A | 42,86 | 165,10 | 107,95 | 78,58 | 219,87 | 23,470 | 41,7 | PHS 160-1DSA17 |
| | | 18 | 318,52 | 292,61 | A | 42,86 | 173,04 | 107,95 | 78,58 | 236,54 | 23,470 | 44,0 | PHS 160-1DSA18 |

All Type B or C sprockets, up to and including 25 tooth, are with hardened teeth as standard.
For any additional size sprockets with hardened teeth, add "H" before the number of teeth, e.g. PHS 40-1DSAH15.

ANSI sprockets, double simplex, taper bushed

ANSI 40-1 · 12,70 mm (1/2") pitch | ANSI 50-1 · 15,88 mm (5/8") pitch | ANSI 60-1 · 19,05 mm (3/4") pitch |
 ANSI 80-1 · 25,40 mm (1") pitch | ANSI 100-1 · 31,75 mm (1 1/4") pitch



Type A taper bush

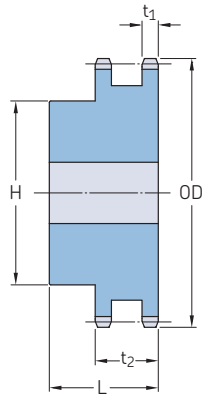
| Pitch | Number of teeth | Diameters Outside | Pitch | Type | Bushing number | Dimensions Bore | | L1 | C | E | L2 | Plate thickness t ₁ | Mass ¹⁾ | Designation | | |
|-------|-----------------|-------------------|--------|--------|----------------|-----------------|-------|-------|-------|-------|--------|--------------------------------|--------------------|-------------|------------------|------------------|
| | | | | | | Min. | Max. | | | | | | | | | |
| mm | in. | mm | mm | - | - | mm | mm | mm | mm | mm | mm | mm | kg | - | | |
| 12,70 | 1/2 | 18 | 79,76 | 73,15 | A | 1215 | 12,70 | 31,75 | 35,72 | 28,58 | 58,74 | 38,10 | 7,210 | 0,5 | PHS 40-1DSTBH18 | |
| | | 19 | 83,82 | 77,22 | A | 1215 | 12,70 | 31,75 | 35,72 | 28,58 | 63,50 | 38,10 | 7,210 | 0,5 | PHS 40-1DSTBH19 | |
| | | 20 | 87,88 | 81,28 | A | 1215 | 12,70 | 31,75 | 35,72 | 28,58 | 66,68 | 38,10 | 7,210 | 0,6 | PHS 40-1DSTBH20 | |
| | | 21 | 91,95 | 85,34 | A | 1615 | 12,70 | 41,28 | 35,72 | 28,58 | 70,64 | 38,10 | 7,210 | 0,6 | PHS 40-1DSTBH21 | |
| | | 23 | 100,08 | 93,22 | A | 1615 | 12,70 | 41,28 | 35,72 | 28,58 | 78,58 | 38,10 | 7,210 | 0,7 | PHS 40-1DSTBH23 | |
| | | 24 | 104,14 | 97,28 | A | 1615 | 12,70 | 41,28 | 35,72 | 28,58 | 82,95 | 38,10 | 7,210 | 0,8 | PHS 40-1DSTBH24 | |
| | 15,88 | 5/8 | 16 | 89,41 | 81,28 | A | 1215 | 12,70 | 41,28 | 42,07 | 33,34 | 63,10 | 38,10 | 8,710 | 1,4 | PHS 50-1DSTBH16 |
| | | | 17 | 94,49 | 86,36 | A | 1615 | 12,70 | 41,28 | 42,07 | 33,34 | 68,26 | 38,10 | 8,710 | 0,8 | PHS 50-1DSTBH17 |
| | | | 18 | 99,57 | 91,44 | A | 1615 | 12,70 | 41,28 | 42,07 | 33,34 | 73,42 | 38,10 | 8,710 | 1,0 | PHS 50-1DSTBH18 |
| | | | 19 | 104,65 | 96,52 | A | 1615 | 12,70 | 41,28 | 42,07 | 33,34 | 78,58 | 38,10 | 8,710 | 1,2 | PHS 50-1DSTBH19 |
| 20 | | | 109,73 | 101,60 | A | 1615 | 12,70 | 41,28 | 42,07 | 33,34 | 83,74 | 38,10 | 8,710 | 2,3 | PHS 50-1DSTBH20 | |
| | | 21 | 114,81 | 106,43 | A | 2012 | 12,70 | 50,80 | 42,07 | 33,34 | 88,50 | 31,75 | 8,710 | 1,5 | PHS 50-1DSTBH21 | |
| | | 23 | 124,97 | 116,59 | A | 2012 | 12,70 | 50,80 | 42,07 | 33,34 | 98,82 | 31,75 | 8,710 | 1,7 | PHS 50-1DSTBH23 | |
| | | 24 | 130,05 | 121,67 | A | 2012 | 12,70 | 50,80 | 42,07 | 33,34 | 103,58 | 31,75 | 8,710 | 1,9 | PHS 50-1DSTBH24 | |
| 19,05 | | 3/4 | 16 | 107,19 | 97,54 | A | 1615 | 12,70 | 41,28 | 49,21 | 37,70 | 75,80 | 38,10 | 11,660 | 2,0 | PHS 60-1DSTBH16 |
| | | | 17 | 113,28 | 101,60 | A | 1615 | 12,70 | 41,28 | 49,21 | 37,70 | 81,76 | 38,10 | 11,660 | 2,0 | PHS 60-1DSTBH17 |
| | 18 | | 119,38 | 109,73 | A | 2012 | 12,70 | 50,80 | 49,21 | 37,70 | 88,11 | 31,75 | 11,660 | 2,3 | PHS 60-1DSTBH18 | |
| | 19 | | 125,73 | 115,82 | A | 2012 | 12,70 | 50,80 | 49,21 | 37,70 | 94,06 | 31,75 | 11,660 | 2,6 | PHS 60-1DSTBH19 | |
| | 20 | | 131,83 | 121,67 | A | 2517 | 12,70 | 63,50 | 49,21 | 37,70 | 100,41 | 44,45 | 11,660 | 2,5 | PHS 60-1DSTBH20 | |
| | | 21 | 137,92 | 127,76 | A | 2517 | 12,70 | 63,50 | 49,21 | 37,70 | 106,36 | 44,45 | 11,660 | 2,9 | PHS 60-1DSTBH21 | |
| | | 23 | 150,11 | 139,95 | A | 2517 | 12,70 | 63,50 | 49,21 | 37,70 | 118,67 | 44,45 | 11,660 | 3,3 | PHS 60-1DSTBH23 | |
| | | 24 | 156,21 | 146,05 | A | 2517 | 12,70 | 63,50 | 49,21 | 37,70 | 131,76 | 44,45 | 11,660 | 3,7 | PHS 60-1DSTBH24 | |
| | 25,40 | 1 | 17 | 151,13 | 138,18 | A | 2517 | 12,70 | 63,50 | 55,56 | 41,28 | 109,54 | 44,45 | 14,600 | 3,5 | PHS 80-1DSTBH17 |
| | | | 18 | 159,26 | 146,30 | A | 2517 | 12,70 | 63,50 | 55,56 | 41,28 | 120,65 | 44,45 | 14,600 | 4,0 | PHS 80-1DSTBH18 |
| 19 | | | 167,39 | 154,43 | A | 3020 | 23,81 | 76,20 | 55,56 | 41,28 | 125,81 | 50,80 | 14,600 | 4,4 | PHS 80-1DSTBH19 | |
| 20 | | | 175,51 | 162,31 | A | 3020 | 23,81 | 76,20 | 55,56 | 41,28 | 134,14 | 50,80 | 14,600 | 4,5 | PHS 80-1DSTBH20 | |
| 21 | | | 183,90 | 170,43 | A | 3020 | 23,81 | 76,20 | 55,56 | 41,28 | 142,08 | 50,80 | 14,600 | 5,4 | PHS 80-1DSTBH21 | |
| | | 22 | 192,02 | 178,56 | A | 3020 | 23,81 | 76,20 | 55,56 | 41,28 | 142,08 | 50,80 | 14,600 | 5,9 | PHS 80-1DSTBH22 | |
| | | 23 | 200,15 | 186,44 | A | 3020 | 23,81 | 76,20 | 55,56 | 41,28 | 158,35 | 50,80 | 14,600 | 6,6 | PHS 80-1DSTBH23 | |
| 31,75 | | 1 1/4 | 15 | 168,40 | 152,65 | A | 2517 | 19,05 | 63,50 | 68,26 | 50,80 | 116,68 | 44,45 | 17,580 | 5,7 | PHS 100-1DSTBH15 |
| | | | 16 | 178,56 | 162,81 | A | 2517 | 19,05 | 63,50 | 68,26 | 50,80 | 127,00 | 44,45 | 17,580 | 5,9 | PHS 100-1DSTBH16 |
| | | | 17 | 188,98 | 172,72 | A | 3020 | 23,81 | 76,20 | 68,26 | 50,80 | 137,32 | 50,80 | 17,580 | 6,4 | PHS 100-1DSTBH17 |
| | 18 | | 199,14 | 182,88 | A | 3020 | 23,81 | 76,20 | 68,26 | 50,80 | 147,24 | 50,80 | 17,580 | 7,3 | PHS 100-1DSTBH18 | |
| | 19 | | 209,30 | 192,79 | A | 3020 | 23,81 | 76,20 | 68,26 | 50,80 | 157,56 | 50,80 | 17,580 | 9,1 | PHS 100-1DSTBH19 | |
| | | 20 | 219,46 | 202,95 | A | 3020 | 23,81 | 76,20 | 68,26 | 50,80 | 167,88 | 44,45 | 17,580 | 12,5 | PHS 100-1DSTBH20 | |
| | | 21 | 229,62 | 213,11 | A | 3020 | 23,81 | 76,20 | 68,26 | 50,80 | 177,80 | 50,80 | 17,580 | 12,5 | PHS 100-1DSTBH21 | |

¹⁾ Mass for rim only

All Type B or C sprockets, up to and including 25 tooth, are with hardened teeth as standard.
 For any additional size sprockets with hardened teeth, add "H" before the number of teeth, e.g. PHS 40-1DSTBH18.

ANSI sprockets, duplex, pilot bore

ANSI 35-2 · 9,53 mm (3/8") pitch | ANSI 40-2 · 12,70 mm (1/2") pitch



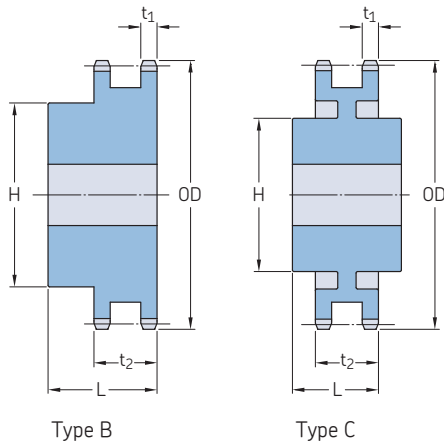
Type B

| Pitch | Number of teeth | Outside diameter | Type | Dimensions Bore | | H | L | Plate thickness | | Mass | Designation | | |
|-------|-----------------|------------------|--------|-----------------|-------|-------|-------|-----------------|----------------|-------------|-------------|--------------|--------------|
| | | | | Min. | Max. | | | t ₁ | t ₂ | | | | |
| mm | in. | mm | mm | mm | mm | mm | mm | mm | mm | kg | | | |
| 9,53 | 3/8 | 12 | 41,40 | B | 12,70 | 14,29 | 25,00 | 31,75 | 4,110 | 14,250 | 0,15 | PHS 35-2BH12 | |
| | | 13 | 44,45 | B | 12,70 | 17,46 | 28,18 | 31,75 | 4,110 | 14,250 | 0,16 | PHS 35-2BH13 | |
| | | 14 | 47,50 | B | 12,70 | 22,23 | 31,75 | 31,75 | 4,110 | 14,250 | 0,20 | PHS 35-2BH14 | |
| | | 15 | 50,55 | B | 12,70 | 23,81 | 35,72 | 31,75 | 4,110 | 14,250 | 0,25 | PHS 35-2BH15 | |
| | | 16 | 53,59 | B | 12,70 | 23,81 | 37,31 | 31,75 | 4,110 | 14,250 | 0,29 | PHS 35-2BH16 | |
| | | 17 | 56,64 | B | 12,70 | 17,46 | 40,48 | 31,75 | 4,110 | 14,250 | 0,34 | PHS 35-2BH17 | |
| | 12,70 | 1/2 | 11 | 50,80 | B | 12,70 | 19,05 | 36,51 | 38,10 | 6,990 | 21,360 | 0,28 | PHS 40-2BH11 |
| | | | 12 | 55,12 | B | 12,70 | 23,81 | 39,69 | 38,10 | 6,990 | 21,360 | 0,34 | PHS 40-2BH12 |
| | | | 13 | 59,18 | B | 12,70 | 25,40 | 38,10 | 38,10 | 6,990 | 21,360 | 0,39 | PHS 40-2BH13 |
| | | | 14 | 63,25 | B | 12,70 | 28,58 | 42,86 | 38,10 | 6,990 | 21,360 | 0,49 | PHS 40-2BH14 |
| | | | 15 | 67,31 | B | 12,70 | 31,75 | 46,04 | 38,10 | 6,990 | 21,360 | 0,56 | PHS 40-2BH15 |
| | | | 16 | 71,37 | B | 15,88 | 34,93 | 50,80 | 38,10 | 6,990 | 21,360 | 0,64 | PHS 40-2BH16 |
| | | | 17 | 75,69 | B | 15,88 | 36,51 | 53,98 | 38,10 | 6,990 | 21,360 | 0,74 | PHS 40-2BH17 |
| | | | 18 | 79,76 | B | 15,88 | 38,10 | 58,74 | 38,10 | 6,990 | 21,360 | 0,87 | PHS 40-2BH18 |
| | | | 19 | 83,82 | B | 15,88 | 44,45 | 63,50 | 38,10 | 6,990 | 21,360 | 1,01 | PHS 40-2BH19 |
| | | | 20 | 87,88 | B | 15,88 | 47,63 | 66,68 | 41,28 | 6,990 | 21,360 | 1,20 | PHS 40-2BH20 |
| | 12,70 | 1/2 | 21 | 91,95 | B | 15,88 | 47,63 | 69,85 | 41,28 | 6,990 | 21,360 | 1,33 | PHS 40-2BH21 |
| | | | 22 | 96,01 | B | 15,88 | 47,63 | 73,03 | 41,28 | 6,990 | 21,360 | 1,44 | PHS 40-2BH22 |
| | | | 23 | 100,08 | B | 15,88 | 50,80 | 76,20 | 41,28 | 6,990 | 21,360 | 1,60 | PHS 40-2BH23 |
| | | | 24 | 104,14 | B | 15,88 | 57,15 | 82,55 | 41,28 | 6,990 | 21,360 | 1,83 | PHS 40-2BH24 |
| | | | 25 | 108,20 | B | 15,88 | 57,15 | 82,55 | 41,28 | 6,990 | 21,360 | 1,93 | PHS 40-2BH25 |
| | | | 26 | 112,27 | B | 15,88 | 57,15 | 82,55 | 41,28 | 6,990 | 21,360 | 2,03 | PHS 40-2BH26 |
| | | | 30 | 128,52 | B | 22,23 | 57,15 | 82,55 | 41,28 | 6,990 | 21,360 | 2,42 | PHS 40-2B30 |
| | | | 35 | 148,84 | B | 22,23 | 57,15 | 82,55 | 41,28 | 6,990 | 21,360 | 3,08 | PHS 40-2B35 |
| | | | 36 | 152,91 | B | 23,81 | 63,50 | 95,25 | 41,28 | 6,990 | 21,360 | 3,27 | PHS 40-2B36 |
| | | | 40 | 168,91 | B | 23,81 | 63,50 | 95,25 | 44,45 | 6,990 | 21,360 | 4,26 | PHS 40-2B40 |
| 42 | | | 177,04 | B | 23,81 | 63,50 | 95,25 | 44,45 | 6,990 | 21,360 | 4,63 | PHS 40-2B42 | |
| 45 | | | 189,23 | B | 23,81 | 63,50 | 95,25 | 44,45 | 6,990 | 21,360 | 5,15 | PHS 40-2B45 | |
| 48 | | | 201,42 | B | 23,81 | 63,50 | 95,25 | 44,45 | 6,990 | 21,360 | 5,74 | PHS 40-2B48 | |
| 52 | | | 217,68 | B | 23,81 | 63,50 | 95,25 | 44,45 | 6,990 | 21,360 | 6,56 | PHS 40-2B52 | |
| 54 | 225,81 | B | 23,81 | 63,50 | 95,25 | 44,45 | 6,990 | 21,360 | 7,02 | PHS 40-2B54 | | | |

Maximum bores can accommodate standard keyways. Larger bores are available where a shallow keyway is used or no keyway is required. All Type B or C sprockets, up to and including 25 tooth, are with hardened teeth as standard. For any additional size sprockets with hardened teeth, add "H" before the number of teeth, e.g. PHS 35-2BH12.

ANSI sprockets, duplex, pilot bore

ANSI 40-2 · 12,70 mm (1/2") pitch | ANSI 50-2 · 15,88 mm (5/8") pitch | ANSI 60-2 · 19,05 mm (3/4") pitch



| Pitch | Number of teeth | Outside diameter | Type | Dimensions Bore | | H | L | Plate thickness | | Mass | Designation | | |
|-------|-----------------|------------------|--------|-----------------|-------|--------|--------|-----------------|----------------|--------|--------------|--------------|--------------|
| | | | | Min. | Max. | | | t ₁ | t ₂ | | | | |
| mm | in. | mm | - | mm | mm | | | | | kg | - | | |
| 12,70 | 1/2 | 60 | B | 249,94 | 23,81 | 63,50 | 95,25 | 44,45 | 6,990 | 21,360 | 8,44 | PHS 40-2B60 | |
| | | 68 | B | 282,45 | 30,16 | 69,85 | 107,95 | 53,98 | 6,990 | 21,360 | 11,32 | PHS 40-2B68 | |
| | | 72 | B | 298,45 | 30,16 | 69,85 | 107,95 | 53,98 | 6,990 | 21,360 | 12,65 | PHS 40-2B72 | |
| | | 76 | B | 314,71 | 30,16 | 69,85 | 107,95 | 53,98 | 6,990 | 21,360 | 13,69 | PHS 40-2B76 | |
| | 84 | B | 346,96 | 30,16 | 69,85 | 107,95 | 53,98 | 6,990 | 21,360 | 16,44 | PHS 40-2B84 | | |
| | 95 | B | 391,41 | 30,16 | 69,85 | 107,95 | 53,98 | 6,990 | 21,360 | 17,62 | PHS 40-2B95 | | |
| | 96 | B | 395,48 | 30,16 | 69,85 | 107,95 | 53,98 | 6,990 | 21,360 | 17,92 | PHS 40-2B96 | | |
| | 102 | B | 419,86 | 30,16 | 69,85 | 107,95 | 53,98 | 6,990 | 21,360 | 19,38 | PHS 40-2B102 | | |
| | 112 | B | 460,25 | 30,16 | 69,85 | 107,95 | 53,98 | 6,990 | 21,360 | 25,19 | PHS 40-2B112 | | |
| | 15,88 | 5/8 | 11 | B | 63,50 | 15,88 | 23,81 | 37,31 | 44,45 | 8,430 | 26,540 | 0,44 | PHS 50-2BH11 |
| | | | 12 | B | 68,83 | 15,88 | 28,58 | 42,86 | 44,45 | 8,430 | 26,540 | 0,57 | PHS 50-2BH12 |
| | | | 13 | B | 73,91 | 15,88 | 33,34 | 47,63 | 44,45 | 8,430 | 26,540 | 0,71 | PHS 50-2BH13 |
| 14 | | | B | 78,99 | 15,88 | 34,93 | 52,39 | 44,45 | 8,430 | 26,540 | 0,84 | PHS 50-2BH14 | |
| 15 | | | B | 84,33 | 19,05 | 38,10 | 58,74 | 44,45 | 8,430 | 26,540 | 1,01 | PHS 50-2BH15 | |
| 16 | | | B | 89,41 | 19,05 | 44,45 | 63,50 | 44,45 | 8,430 | 26,540 | 1,19 | PHS 50-2BH16 | |
| 17 | | | B | 94,49 | 19,05 | 47,63 | 68,26 | 44,45 | 8,430 | 26,540 | 1,38 | PHS 50-2BH17 | |
| 18 | | | B | 99,57 | 19,05 | 49,21 | 74,61 | 44,45 | 8,430 | 26,540 | 1,62 | PHS 50-2BH18 | |
| 19 | | | B | 104,65 | 25,40 | 53,98 | 79,38 | 44,45 | 8,430 | 26,540 | 1,77 | PHS 50-2BH19 | |
| 20 | | | B | 109,73 | 25,40 | 57,15 | 82,55 | 44,45 | 8,430 | 26,540 | 1,93 | PHS 50-2BH20 | |
| 21 | | | B | 114,81 | 25,40 | 60,33 | 88,90 | 44,45 | 8,430 | 26,540 | 2,22 | PHS 50-2BH21 | |
| 22 | | | B | 119,89 | 25,40 | 60,33 | 90,49 | 47,63 | 8,430 | 26,540 | 2,53 | PHS 50-2BH22 | |
| 23 | | B | 124,97 | 25,40 | 63,50 | 92,08 | 47,63 | 8,430 | 26,540 | 2,77 | PHS 50-2BH23 | | |
| 24 | | B | 130,05 | 25,40 | 63,50 | 92,08 | 47,63 | 8,430 | 26,540 | 2,95 | PHS 50-2BH24 | | |
| 25 | | B | 135,13 | 25,40 | 63,50 | 92,08 | 47,63 | 8,430 | 26,540 | 3,15 | PHS 50-2BH25 | | |
| 26 | | B | 140,21 | 25,40 | 63,50 | 95,25 | 47,63 | 8,430 | 26,540 | 3,42 | PHS 50-2B26 | | |
| 30 | | B | 160,53 | 25,40 | 63,50 | 95,25 | 47,63 | 8,430 | 26,540 | 4,26 | PHS 50-2B30 | | |
| 32 | | B | 170,69 | 25,40 | 63,50 | 95,25 | 47,63 | 8,430 | 26,540 | 4,74 | PHS 50-2B32 | | |
| 35 | | B | 185,93 | 25,40 | 63,50 | 95,25 | 47,63 | 8,430 | 26,540 | 5,57 | PHS 50-2B35 | | |
| 36 | | B | 191,01 | 30,16 | 69,85 | 101,60 | 53,98 | 8,430 | 26,540 | 6,32 | PHS 50-2B36 | | |
| 40 | | B | 211,33 | 30,16 | 69,85 | 101,60 | 53,98 | 8,430 | 26,540 | 7,50 | PHS 50-2B40 | | |
| 42 | | B | 221,49 | 30,16 | 69,85 | 101,60 | 53,98 | 8,430 | 26,540 | 8,13 | PHS 50-2B42 | | |
| 45 | | B | 236,47 | 30,16 | 69,85 | 101,60 | 53,98 | 8,430 | 26,540 | 9,21 | PHS 50-2B45 | | |
| 48 | | B | 251,71 | 30,16 | 69,85 | 107,95 | 60,33 | 8,430 | 26,540 | 10,92 | PHS 50-2B48 | | |
| 52 | | B | 272,03 | 30,16 | 69,85 | 107,95 | 60,33 | 8,430 | 26,540 | 12,44 | PHS 50-2B52 | | |
| 54 | | B | 282,19 | 30,16 | 69,85 | 107,95 | 60,33 | 8,430 | 26,540 | 13,23 | PHS 50-2B54 | | |
| 60 | | B | 312,42 | 33,34 | 76,20 | 114,30 | 60,33 | 8,430 | 26,540 | 16,27 | PHS 50-2B60 | | |
| 68 | | B | 352,81 | 33,34 | 76,20 | 114,30 | 60,33 | 8,430 | 26,540 | 20,40 | PHS 50-2B68 | | |
| 72 | | B | 373,13 | 33,34 | 76,20 | 114,30 | 60,33 | 8,430 | 26,540 | 22,78 | PHS 50-2B72 | | |
| 76 | | B | 393,45 | 33,34 | 76,20 | 114,30 | 60,33 | 8,430 | 26,540 | 20,70 | PHS 50-2B76 | | |
| 84 | | B | 433,83 | 33,34 | 76,20 | 114,30 | 60,33 | 8,430 | 26,540 | 23,42 | PHS 50-2B84 | | |
| 95 | | B | 489,46 | 33,34 | 76,20 | 114,30 | 60,33 | 8,430 | 26,540 | 29,18 | PHS 50-2B95 | | |
| 96 | | B | 494,54 | 33,34 | 76,20 | 114,30 | 60,33 | 8,430 | 26,540 | 30,58 | PHS 50-2B96 | | |
| 102 | | B | 524,76 | 33,34 | 76,20 | 114,30 | 60,33 | 8,430 | 26,540 | 32,97 | PHS 50-2B102 | | |
| 112 | | B | 575,31 | 33,34 | 84,14 | 133,35 | 60,33 | 8,430 | 26,540 | 40,92 | PHS 50-2B112 | | |
| 19,05 | | 3/4 | 11 | B | 76,20 | 25,40 | 31,75 | 46,04 | 53,98 | 11,280 | 34,060 | 0,73 | PHS 60-2BH11 |
| | 12 | | B | 82,55 | 25,40 | 36,51 | 53,98 | 53,98 | 11,280 | 34,060 | 1,00 | PHS 60-2BH12 | |
| | 13 | | B | 88,65 | 25,40 | 38,10 | 57,15 | 53,98 | 11,280 | 34,060 | 1,18 | PHS 60-2BH13 | |
| | 14 | | B | 95,00 | 25,40 | 44,45 | 63,50 | 53,98 | 11,280 | 34,060 | 1,47 | PHS 60-2BH14 | |
| | 15 | | B | 101,09 | 25,40 | 47,63 | 71,44 | 53,98 | 11,280 | 34,060 | 1,80 | PHS 60-2BH15 | |
| | 16 | B | 107,19 | 25,40 | 50,80 | 76,20 | 53,98 | 11,280 | 34,060 | 2,10 | PHS 60-2BH16 | | |
| | 17 | B | 113,28 | 25,40 | 57,15 | 82,55 | 53,98 | 11,280 | 34,060 | 2,45 | PHS 60-2BH17 | | |
| | 18 | B | 119,38 | 25,40 | 60,33 | 88,90 | 53,98 | 11,280 | 34,060 | 2,83 | PHS 60-2BH18 | | |
| | 19 | B | 125,73 | 25,40 | 63,50 | 93,66 | 53,98 | 11,280 | 34,060 | 3,18 | PHS 60-2BH19 | | |
| | 20 | B | 131,83 | 25,40 | 63,50 | 95,25 | 53,98 | 11,280 | 34,060 | 3,50 | PHS 60-2BH20 | | |

Maximum bores can accommodate standard keyways. Larger bores are available where a shallow keyway is used or no keyway is required.
 All Type B or C sprockets, up to and including 25 tooth, are with hardened teeth as standard.
 For any additional size sprockets with hardened teeth, add "H" before the number of teeth, e.g. PHS 35-2BH12.

ANSI sprockets, duplex, pilot bore

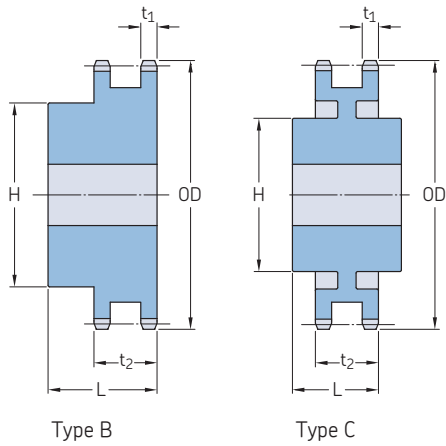
ANSI 60-2 · 19,05 mm (3/4") pitch | ANSI 80-2 · 25,40 mm (1") pitch | ANSI 100-2 · 31,75 mm (1 1/4") pitch |
ANSI 120-2 · 38,10 mm (1 1/2") pitch

| Pitch | Number of teeth | Outside diameter | Type | Dimensions | | | | Plate thickness | | Mass | Designation | | | | |
|-------|-----------------|------------------|--------|------------|--------|--------|--------|-----------------|----------------|--------|-------------|--------------|--------------|---------------|---------------|
| | | | | Bore | | H | L | t ₁ | t ₂ | | | | | | |
| | | | | Min. | Max. | | | | | | | | | | |
| mm | in. | mm | mm | mm | mm | mm | mm | mm | mm | kg | - | | | | |
| 19,05 | 3/4 | 21 | 137,92 | B | 25,40 | 69,85 | 104,78 | 53,98 | 11,280 | 34,060 | 4,00 | PHS 60-2BH21 | | | |
| | | 22 | 144,02 | B | 25,40 | 69,85 | 107,95 | 53,98 | 11,280 | 34,060 | 4,39 | PHS 60-2BH22 | | | |
| | | 23 | 150,11 | B | 25,40 | 69,85 | 107,95 | 53,98 | 11,280 | 34,060 | 4,67 | PHS 60-2BH23 | | | |
| | | 24 | 156,21 | B | 25,40 | 69,85 | 107,95 | 53,98 | 11,280 | 34,060 | 5,05 | PHS 60-2BH24 | | | |
| | | 25 | 162,31 | B | 25,40 | 69,85 | 107,95 | 53,98 | 11,280 | 34,060 | 5,42 | PHS 60-2BH25 | | | |
| | 25,40 | 1 | 10 | 93,47 | B | 25,40 | 38,10 | 65,09 | 69,85 | 14,150 | 43,430 | 1,63 | PHS 80-2BH10 | | |
| | | | 11 | 101,85 | B | 25,40 | 44,45 | 63,50 | 63,50 | 14,150 | 43,430 | 1,81 | PHS 80-2BH11 | | |
| | | | 12 | 109,98 | B | 25,40 | 47,63 | 72,23 | 63,50 | 14,150 | 43,430 | 2,31 | PHS 80-2BH12 | | |
| | | | 13 | 118,36 | B | 25,40 | 57,15 | 80,17 | 63,50 | 14,150 | 43,430 | 2,86 | PHS 80-2BH13 | | |
| | | | 14 | 126,49 | B | 25,40 | 60,33 | 88,11 | 63,50 | 14,150 | 43,430 | 3,45 | PHS 80-2BH14 | | |
| | | 31,75 | 1 1/4 | 9 | 106,17 | B | 25,40 | 41,28 | 60,33 | 73,03 | 16,990 | 52,760 | 2,09 | PHS 100-2BH9 | |
| | | | | 10 | 116,84 | B | 25,40 | 47,63 | 69,85 | 73,03 | 16,990 | 52,760 | 2,81 | PHS 100-2BH10 | |
| | | | | 11 | 127,25 | B | 25,40 | 53,98 | 79,38 | 73,03 | 16,990 | 52,760 | 3,58 | PHS 100-2BH11 | |
| | | | | 12 | 137,67 | B | 28,58 | 57,15 | 85,73 | 73,03 | 16,990 | 52,760 | 4,22 | PHS 100-2BH12 | |
| | | | | 13 | 147,83 | B | 28,58 | 63,50 | 96,84 | 73,03 | 16,990 | 52,760 | 5,17 | PHS 100-2BH13 | |
| | | | 38,10 | 1 1/2 | 11 | 152,65 | B | 38,10 | 60,33 | 90,49 | 95,25 | 22,710 | 68,150 | 6,17 | PHS 120-2BH11 |
| | | | | | 12 | 165,10 | B | 38,10 | 69,85 | 103,19 | 95,25 | 22,710 | 68,150 | 7,85 | PHS 120-2BH12 |

Maximum bores can accommodate standard keyways. Larger bores are available where a shallow keyway is used or no keyway is required. All Type B or C sprockets, up to and including 25 tooth, are with hardened teeth as standard. For any additional size sprockets with hardened teeth, add "H" before the number of teeth, e.g. PHS 35-2BH12.

ANSI sprockets, duplex, pilot bore

ANSI 120-2 · 38,10 mm (1½") pitch | ANSI 140-2 · 44,45 mm (1¾") pitch | ANSI 160-2 · 50,80 mm (2") pitch



| Pitch | Number of teeth | Outside diameter | Type | Dimensions Bore | | Plate thickness | | Mass | Designation | | | | |
|-------|-----------------|------------------|------|-----------------|--------|-----------------|--------|--------|-------------|----------------|----------------|-------|---------------|
| | | | | Min. | Max. | H | L | | | t ₁ | t ₂ | | |
| mm | in. | mm | | mm | | | | kg | | | | | |
| 38,10 | 1½ | 13 | B | 38,10 | 76,20 | 114,30 | 95,25 | 22,710 | 68,150 | 9,57 | PHS 120-2BH13 | | |
| | | 14 | B | 38,10 | 84,14 | 127,00 | 95,25 | 22,710 | 68,150 | 11,61 | PHS 120-2BH14 | | |
| | | 15 | B | 38,10 | 88,90 | 133,35 | 95,25 | 22,710 | 68,150 | 13,56 | PHS 120-2BH15 | | |
| | | 16 | B | 38,10 | 88,90 | 133,35 | 95,25 | 22,710 | 68,150 | 15,33 | PHS 120-2BH16 | | |
| | | 17 | B | 38,10 | 88,90 | 133,35 | 95,25 | 22,710 | 68,150 | 16,74 | PHS 120-2BH17 | | |
| | | 18 | B | 38,10 | 88,90 | 133,35 | 95,25 | 22,710 | 68,150 | 19,01 | PHS 120-2BH18 | | |
| | | 19 | B | 38,10 | 88,90 | 133,35 | 95,25 | 22,710 | 68,150 | 21,09 | PHS 120-2BH19 | | |
| | | 20 | B | 38,10 | 88,90 | 139,70 | 95,25 | 22,710 | 68,150 | 22,77 | PHS 120-2BH20 | | |
| | | 21 | B | 38,10 | 88,90 | 139,70 | 95,25 | 22,710 | 68,150 | 25,22 | PHS 120-2BH21 | | |
| | | 22 | B | 38,10 | 96,84 | 146,05 | 101,60 | 22,710 | 68,150 | 29,03 | PHS 120-2BH22 | | |
| | | 23 | B | 38,10 | 114,30 | 165,10 | 101,60 | 22,710 | 68,150 | 34,02 | PHS 120-2BH23 | | |
| | | 24 | B | 38,10 | 114,30 | 165,10 | 101,60 | 22,710 | 68,150 | 35,83 | PHS 120-2BH24 | | |
| | | 25 | B | 38,10 | 114,30 | 165,10 | 101,60 | 22,710 | 68,150 | 38,10 | PHS 120-2BH25 | | |
| | | 26 | B | 38,10 | 114,30 | 165,10 | 101,60 | 22,710 | 68,150 | 40,82 | PHS 120-2B26 | | |
| | | 30 | B | 38,10 | 114,30 | 165,10 | 101,60 | 22,710 | 68,150 | 53,98 | PHS 120-2B30 | | |
| | | 35 | C | 38,10 | 136,53 | 190,50 | 152,40 | 22,710 | 71,580 | 67,13 | PHS 120-2C35 | | |
| | | 45 | C | 38,10 | 136,53 | 190,50 | 152,40 | 22,710 | 71,580 | 85,28 | PHS 120-2C45 | | |
| | | 60 | C | 38,10 | 161,93 | 241,30 | 158,75 | 22,710 | 71,580 | 139,25 | PHS 120-2C60 | | |
| | | 44,45 | 1¾ | 13 | B | 41,28 | 84,14 | 127,00 | 95,25 | 22,710 | 71,580 | 13,15 | PHS 140-2BH13 |
| | | | | 14 | B | 41,28 | 95,25 | 139,70 | 95,25 | 22,710 | 71,580 | 15,79 | PHS 140-2BH14 |
| 15 | B | | | 41,28 | 114,30 | 165,10 | 95,25 | 22,710 | 71,580 | 19,28 | PHS 140-2BH15 | | |
| 16 | B | | | 41,28 | 133,35 | 177,80 | 101,60 | 22,710 | 71,580 | 21,82 | PHS 140-2BH16 | | |
| 17 | B | | | 41,28 | 133,35 | 177,80 | 101,60 | 22,710 | 71,580 | 26,08 | PHS 140-2BH17 | | |
| 18 | B | | | 44,45 | 133,35 | 177,80 | 101,60 | 22,710 | 71,580 | 29,76 | PHS 140-2BH18 | | |
| 19 | B | | | 44,45 | 133,35 | 177,80 | 101,60 | 22,710 | 71,580 | 32,66 | PHS 140-2BH19 | | |
| 20 | B | | | 44,45 | 133,35 | 177,80 | 101,60 | 22,710 | 71,580 | 34,47 | PHS 140-2BH20 | | |
| 21 | B | | | 44,45 | 133,35 | 177,80 | 101,60 | 22,710 | 71,580 | 37,19 | PHS 140-2BH21 | | |
| 22 | B | | | 44,45 | 133,35 | 177,80 | 101,60 | 22,710 | 71,580 | 42,64 | PHS 140-2BH22 | | |
| 23 | B | | | 44,45 | 133,35 | 177,80 | 101,60 | 22,710 | 71,580 | 45,36 | PHS 140-2BH23 | | |
| 24 | B | | | 44,45 | 133,35 | 177,80 | 101,60 | 22,710 | 71,580 | 47,17 | PHS 140-2BH24 | | |
| 25 | B | | | 44,45 | 133,35 | 177,80 | 101,60 | 22,710 | 71,580 | 54,43 | PHS 140-2BH25 | | |
| 26 | B | | | 44,45 | 133,35 | 177,80 | 101,60 | 22,710 | 71,580 | 58,06 | PHS 140-2B26 | | |
| 35 | C | | | 38,10 | 136,53 | 190,50 | 152,40 | 22,710 | 71,580 | 81,65 | PHS 140-2C35 | | |
| 45 | C | | | 38,10 | 136,53 | 190,50 | 152,40 | 22,710 | 71,580 | 105,23 | PHS 140-2C45 | | |
| 60 | C | | | 38,10 | 161,93 | 241,30 | 158,75 | 22,710 | 71,580 | 168,74 | PHS 140-2C60 | | |
| 50,80 | 2 | | | 13 | B | 50,80 | 101,60 | 152,40 | 120,65 | 28,420 | 86,970 | 21,77 | PHS 160-2BH13 |
| | | | | 14 | B | 50,80 | 120,65 | 171,45 | 120,65 | 28,420 | 86,970 | 26,31 | PHS 160-2BH14 |
| | | | | 15 | B | 50,80 | 133,35 | 177,80 | 120,65 | 28,420 | 86,970 | 30,84 | PHS 160-2BH15 |
| | | 16 | B | 50,80 | 133,35 | 177,80 | 120,65 | 28,420 | 86,970 | 34,02 | PHS 160-2BH16 | | |
| | | 17 | B | 50,80 | 133,35 | 177,80 | 120,65 | 28,420 | 86,970 | 41,28 | PHS 160-2BH17 | | |
| | | 18 | B | 50,80 | 133,35 | 177,80 | 120,65 | 28,420 | 86,970 | 43,54 | PHS 160-2BH18 | | |
| | | 19 | B | 50,80 | 133,35 | 177,80 | 120,65 | 28,420 | 86,970 | 48,53 | PHS 160-2BH19 | | |
| | | 20 | B | 50,80 | 133,35 | 177,80 | 120,65 | 28,420 | 86,970 | 53,98 | PHS 160-2BH20 | | |
| | | 21 | B | 50,80 | 136,53 | 190,50 | 120,65 | 28,420 | 86,970 | 58,97 | PHS 160-2BH21 | | |
| | | 22 | B | 50,80 | 136,53 | 190,50 | 120,65 | 28,420 | 86,970 | 63,96 | PHS 160-2BH22 | | |
| | | 23 | B | 50,80 | 136,53 | 190,50 | 120,65 | 28,420 | 86,970 | 71,21 | PHS 160-2BH23 | | |
| | | 24 | B | 50,80 | 136,53 | 190,50 | 120,65 | 28,420 | 86,970 | 77,56 | PHS 160-2BH24 | | |
| | | 25 | B | 50,80 | 136,53 | 190,50 | 120,65 | 28,420 | 86,970 | 84,82 | PHS 160-2BH25 | | |
| | | 26 | B | 50,80 | 136,53 | 190,50 | 120,65 | 28,420 | 86,970 | 91,17 | PHS 160-2B26 | | |
| | | 35 | C | 38,10 | 171,45 | 241,30 | 168,28 | 28,420 | 86,970 | 138,80 | PHS 160-2C35 | | |
| | | 45 | C | 38,10 | 177,80 | 254,00 | 180,98 | 28,420 | 86,970 | 195,50 | PHS 160-2C45 | | |
| | | 60 | C | 38,10 | 177,80 | 254,00 | 180,98 | 28,420 | 86,970 | 255,83 | PHS 160-2C60 | | |

Maximum bores can accommodate standard keyways. Larger bores are available where a shallow keyway is used or no keyway is required.
 All Type B or C sprockets, up to and including 25 tooth, are with hardened teeth as standard.
 For any additional size sprockets with hardened teeth, add "H" before the number of teeth, e.g. PHS 35-2BH12.

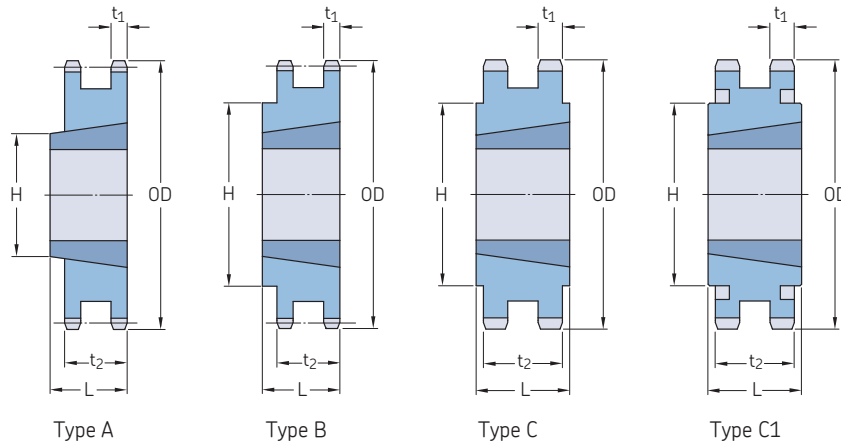
ANSI sprockets, duplex, pilot bore
ANSI 200-2 · 63,50 mm (2½") pitch

| Pitch | | Number of teeth | Outside diameter OD | Type | Dimensions Bore | | | | Plate thickness | | Mass | Designation |
|-------|-----|-----------------|------------------------|------|--------------------|--------|--------|--------|-----------------|----------------|--------|---------------|
| mm | in. | | | | Min. | Max. | H | L | t ₁ | t ₂ | | |
| 63,50 | 2½ | 11 | 254,51 | B | 50,80 | 95,25 | 139,70 | 149,23 | 34,140 | 105,690 | 25,85 | PHS 200-2BH11 |
| | | 12 | 275,08 | B | 50,80 | 114,30 | 165,10 | 158,75 | 34,140 | 105,690 | 36,29 | PHS 200-2BH12 |
| | | 13 | 295,66 | B | 50,80 | 133,35 | 177,80 | 161,93 | 34,140 | 105,690 | 43,54 | PHS 200-2BH13 |
| | | 14 | 316,48 | B | 50,80 | 139,70 | 203,20 | 161,93 | 34,140 | 105,690 | 53,98 | PHS 200-2BH14 |
| | | 15 | 336,80 | B | 50,80 | 146,05 | 215,90 | 161,93 | 34,140 | 105,690 | 62,60 | PHS 200-2BH15 |
| | | 16 | 357,38 | B | 50,80 | 146,05 | 215,90 | 168,28 | 34,140 | 105,690 | 73,03 | PHS 200-2BH16 |
| | | 17 | 377,70 | B | 50,80 | 146,05 | 215,90 | 168,28 | 34,140 | 105,690 | 80,74 | PHS 200-2BH17 |
| | | 18 | 398,27 | B | 50,80 | 146,05 | 215,90 | 168,28 | 34,140 | 105,690 | 88,90 | PHS 200-2BH18 |
| | | 19 | 418,59 | B | 50,80 | 146,05 | 215,90 | 168,28 | 34,140 | 105,690 | 98,43 | PHS 200-2BH19 |
| | | 20 | 439,17 | B | 50,80 | 146,05 | 215,90 | 168,28 | 34,140 | 105,690 | 107,05 | PHS 200-2BH20 |
| | | 21 | 459,49 | B | 50,80 | 146,05 | 215,90 | 168,28 | 34,140 | 105,690 | 113,40 | PHS 200-2BH21 |
| | | 22 | 479,81 | B | 50,80 | 146,05 | 215,90 | 168,28 | 34,140 | 105,690 | 128,82 | PHS 200-2BH22 |
| | | 23 | 500,13 | B | 50,80 | 146,05 | 215,90 | 168,28 | 34,140 | 105,690 | 139,71 | PHS 200-2BH23 |
| | | 24 | 520,45 | B | 50,80 | 146,05 | 215,90 | 168,28 | 34,140 | 105,690 | 149,69 | PHS 200-2BH24 |
| | | 25 | 540,77 | B | 50,80 | 146,05 | 215,90 | 168,28 | 34,140 | 105,690 | 162,39 | PHS 200-2BH25 |
| | | 26 | 561,09 | B | 50,80 | 146,05 | 215,90 | 168,28 | 34,140 | 105,690 | 175,09 | PHS 200-2B26 |
| | | 45 | 946,15 | C | 38,10 | 177,80 | 254,00 | 215,90 | 34,140 | 105,690 | 301,64 | PHS 200-2C45 |
| | | 60 | 1249,68 | C | 38,10 | 177,80 | 254,00 | 228,60 | 34,140 | 105,690 | 440,89 | PHS 200-2C60 |

Maximum bores can accommodate standard keyways. Larger bores are available where a shallow keyway is used or no keyway is required. All Type B or C sprockets, up to and including 25 tooth, are with hardened teeth as standard. For any additional size sprockets with hardened teeth, add "H" before the number of teeth, e.g. PHS 35-2BH12.

ANSI sprockets, duplex, taper bushed

ANSI 35-2 · 9,53 mm (3/8") pitch | ANSI 40-2 · 12,70 mm (1/2") pitch | ANSI 50-2 · 15,88 mm (5/8") pitch



| Pitch | Number of teeth | Diameters | | Type | Bushing number | Dimensions Bore | | Plate thickness | | Mass Rim | Bushing | Designation | | | | |
|-------|-----------------|------------|----------|--------|----------------|-----------------|-------|-----------------|--------|----------|---------|-------------|----------------|----------------|---------------|---------------|
| | | Outside OD | Pitch PD | | | Min. | Max. | L | H | | | | t ₁ | t ₂ | | |
| mm | in. | mm | mm | - | - | mm | mm | mm | mm | kg | - | - | | | | |
| 9,53 | 3/8 | 19 | 62,74 | 57,91 | B | 1008 | 9,53 | 25,40 | 22,23 | 46,43 | 4,110 | 14,250 | 0,3 | 0,1 | PHS 35-2TBH19 | |
| | | 20 | 65,79 | 60,96 | B | 1008 | 9,53 | 25,40 | 22,23 | 49,21 | 4,110 | 14,250 | 0,4 | 0,1 | PHS 35-2TBH20 | |
| | | 21 | 68,83 | 64,01 | B | 1008 | 9,53 | 25,40 | 22,23 | 52,39 | 4,110 | 14,250 | 0,6 | 0,1 | PHS 35-2TBH21 | |
| | | 22 | 71,88 | 66,80 | B | 1008 | 9,53 | 25,40 | 22,23 | 55,56 | 4,110 | 14,250 | 0,8 | 0,1 | PHS 35-2TBH22 | |
| | | 23 | 77,98 | 72,90 | B | 1210 | 15,88 | 31,75 | 25,40 | 61,91 | 4,110 | 14,250 | 0,8 | 0,3 | PHS 35-2TBH24 | |
| | 26 | 84,07 | 78,99 | B | 1210 | 15,88 | 31,75 | 25,40 | 66,68 | 4,110 | 14,250 | 0,9 | 0,3 | PHS 35-2TB26 | | |
| | 30 | 96,27 | 91,19 | B | 1610 | 12,70 | 41,28 | 25,40 | 79,38 | 4,110 | 14,250 | 0,8 | 0,4 | PHS 35-2TB30 | | |
| | 32 | 102,36 | 97,28 | B | 1610 | 12,70 | 41,28 | 25,40 | 82,55 | 4,110 | 14,250 | 0,9 | 0,4 | PHS 35-2TB32 | | |
| | 35 | 111,51 | 106,17 | B | 1610 | 12,70 | 41,28 | 25,40 | 82,55 | 4,110 | 14,250 | 1,0 | 0,4 | PHS 35-2TB35 | | |
| | 40 | 126,75 | 121,41 | B | 1610 | 12,70 | 41,28 | 25,40 | 82,55 | 4,110 | 14,250 | 1,3 | 0,4 | PHS 35-2TB40 | | |
| | 45 | 141,99 | 136,65 | B | 1610 | 12,70 | 41,28 | 25,40 | 82,55 | 4,110 | 14,250 | 1,5 | 0,4 | PHS 35-2TB45 | | |
| | 48 | 151,13 | 145,54 | B | 1610 | 12,70 | 41,28 | 25,40 | 92,08 | 4,110 | 14,250 | 1,6 | 0,4 | PHS 35-2TB48 | | |
| | 54 | 169,16 | 163,83 | B | 1610 | 12,70 | 41,28 | 25,40 | 92,08 | 4,110 | 14,250 | 1,8 | 0,4 | PHS 35-2TB54 | | |
| | 60 | 187,45 | 182,12 | B | 1610 | 12,70 | 41,28 | 25,40 | 92,08 | 4,110 | 14,250 | 2,2 | 0,4 | PHS 35-2TB60 | | |
| | 70 | 217,68 | 212,34 | B | 1610 | 12,70 | 41,28 | 25,40 | 92,08 | 4,110 | 14,250 | 2,9 | 0,4 | PHS 35-2TB70 | | |
| | 80 | 248,16 | 242,57 | B | 1610 | 12,70 | 41,28 | 25,40 | 92,08 | 4,110 | 14,250 | 3,6 | 0,4 | PHS 35-2TB80 | | |
| | 96 | 296,67 | 291,08 | B | 1610 | 12,70 | 41,28 | 25,40 | 92,08 | 4,110 | 14,250 | 4,5 | 0,4 | PHS 35-2TB96 | | |
| | 112 | 345,19 | 339,60 | B | 1610 | 12,70 | 41,28 | 25,40 | 92,08 | 4,110 | 14,250 | 4,9 | 0,4 | PHS 35-2TB112 | | |
| | 12,70 | 1/2 | 15 | 67,31 | 60,96 | A | 1008 | 9,53 | 25,40 | 22,23 | 32,15 | 6,990 | 21,360 | 0,2 | 0,1 | PHS 40-2TBH15 |
| | | | 16 | 71,37 | 65,02 | A | 1008 | 9,53 | 25,40 | 22,23 | 32,15 | 6,990 | 21,360 | 0,3 | 0,1 | PHS 40-2TBH16 |
| | | | 17 | 75,69 | 69,09 | A | 1008 | 9,53 | 25,40 | 22,23 | 32,15 | 6,990 | 21,360 | 0,3 | 0,1 | PHS 40-2TBH17 |
| | | | 18 | 79,50 | 73,15 | B | 1210 | 15,88 | 31,75 | 25,40 | 58,74 | 6,990 | 21,360 | 0,3 | 0,3 | PHS 40-2TBH18 |
| 19 | | | 83,82 | 77,22 | B | 1210 | 15,88 | 31,75 | 25,40 | 63,50 | 6,990 | 21,360 | 0,4 | 0,3 | PHS 40-2TBH19 | |
| 20 | | | 87,88 | 81,28 | B | 1610 | 12,70 | 41,28 | 25,40 | 66,68 | 6,990 | 21,360 | 0,4 | 0,4 | PHS 40-2TBH20 | |
| 21 | | | 91,95 | 85,34 | B | 1610 | 12,70 | 41,28 | 25,40 | 69,85 | 6,990 | 21,360 | 0,5 | 0,4 | PHS 40-2TBH21 | |
| 23 | | | 100,08 | 93,22 | B | 1610 | 12,70 | 41,28 | 25,40 | 76,20 | 6,990 | 21,360 | 0,6 | 0,4 | PHS 40-2TBH23 | |
| 25 | | | 108,20 | 101,35 | B | 2012 | 19,05 | 50,80 | 31,75 | 86,52 | 6,990 | 21,360 | 0,7 | 0,8 | PHS 40-2TBH25 | |
| 30 | | 128,52 | 121,41 | B | 2012 | 19,05 | 50,80 | 31,75 | 107,55 | 6,990 | 21,360 | 1,5 | 0,8 | PHS 40-2TB30 | | |
| 36 | | 152,65 | 145,80 | B | 2012 | 19,05 | 50,80 | 31,75 | 130,97 | 6,990 | 21,360 | 2,7 | 0,8 | PHS 40-2TB36 | | |
| 42 | | 177,04 | 169,93 | C | 2517 | 19,05 | 63,50 | 44,45 | 107,95 | 6,990 | 21,360 | 3,2 | 1,6 | PHS 40-2TB42 | | |
| 48 | | 201,42 | 194,06 | C | 2517 | 19,05 | 63,50 | 44,45 | 107,95 | 6,990 | 21,360 | 4,4 | 1,6 | PHS 40-2TB48 | | |
| 52 | | 217,68 | 210,31 | C | 2517 | 19,05 | 63,50 | 44,45 | 107,95 | 6,990 | 21,360 | 5,2 | 1,6 | PHS 40-2TB52 | | |
| 60 | | 249,94 | 242,57 | C | 2517 | 19,05 | 63,50 | 44,45 | 107,95 | 6,990 | 21,360 | 7,0 | 1,6 | PHS 40-2TB60 | | |
| 68 | | 282,45 | 275,08 | C | 2517 | 19,05 | 63,50 | 44,45 | 107,95 | 6,990 | 21,360 | 9,3 | 1,6 | PHS 40-2TB68 | | |
| 76 | | 314,71 | 307,34 | C | 2517 | 19,05 | 63,50 | 44,45 | 107,95 | 6,990 | 21,360 | 11,7 | 1,6 | PHS 40-2TB76 | | |
| 84 | | 346,96 | 339,60 | C | 2517 | 19,05 | 63,50 | 44,45 | 107,95 | 6,990 | 21,360 | 14,3 | 1,6 | PHS 40-2TB84 | | |
| 95 | | 391,41 | 384,05 | C | 2517 | 19,05 | 63,50 | 44,45 | 107,95 | 6,990 | 21,360 | 15,5 | 1,6 | PHS 40-2TB95 | | |
| 102 | | 419,86 | 412,50 | C | 2517 | 19,05 | 63,50 | 44,45 | 107,95 | 6,990 | 21,360 | 16,7 | 1,6 | PHS 40-2TB102 | | |
| 15,88 | | 5/8 | 14 | 78,99 | 71,37 | A | 1008 | 9,53 | 25,40 | 22,23 | - | 8,430 | 26,540 | 0,4 | 0,1 | PHS 50-2TBH14 |
| | | | 15 | 84,07 | 76,45 | A | 1210 | 15,88 | 31,75 | 25,40 | - | 8,430 | 26,540 | 0,4 | 0,3 | PHS 50-2TBH15 |
| | 16 | | 89,41 | 81,28 | A | 1210 | 15,88 | 31,75 | 25,40 | - | 8,430 | 26,540 | 0,5 | 0,3 | PHS 50-2TBH16 | |
| | 17 | | 94,49 | 86,61 | A | 1610 | 12,70 | 41,28 | 25,40 | - | 8,430 | 26,540 | 0,5 | 0,3 | PHS 50-2TBH17 | |
| | 18 | | 99,57 | 91,44 | A | 1610 | 12,70 | 41,28 | 25,40 | - | 8,430 | 26,540 | 0,6 | 0,4 | PHS 50-2TBH18 | |
| | 19 | | 104,65 | 96,52 | A | 1610 | 12,70 | 41,28 | 25,40 | - | 8,430 | 26,540 | 0,7 | 0,4 | PHS 50-2TBH19 | |
| | 20 | | 109,73 | 101,60 | B | 2012 | 19,05 | 50,80 | 31,75 | 82,55 | 8,430 | 26,540 | 0,7 | 0,8 | PHS 50-2TBH20 | |
| | 21 | | 114,81 | 106,43 | B | 2012 | 19,05 | 50,80 | 31,75 | 88,90 | 8,430 | 26,540 | 0,9 | 0,8 | PHS 50-2TBH21 | |
| | 25 | 135,13 | 126,75 | B | 2012 | 19,05 | 50,80 | 31,75 | 108,74 | 8,430 | 26,540 | 1,7 | 0,8 | PHS 50-2TBH25 | | |
| | 30 | 160,53 | 151,89 | B | 2517 | 19,05 | 63,50 | 44,45 | 134,14 | 8,430 | 26,540 | 3,4 | 1,6 | PHS 50-2TB30 | | |
| | 36 | 191,01 | 182,12 | C | 2517 | 19,05 | 63,50 | 44,45 | 107,95 | 8,430 | 26,540 | 4,3 | 1,6 | PHS 50-2TB36 | | |
| | 42 | 221,23 | 212,34 | C | 2517 | 19,05 | 63,50 | 44,45 | 107,95 | 8,430 | 26,540 | 6,1 | 1,6 | PHS 50-2TB42 | | |
| | 48 | 251,71 | 242,82 | C | 2517 | 19,05 | 63,50 | 44,45 | 107,95 | 8,430 | 26,540 | 8,4 | 1,6 | PHS 50-2TB48 | | |
| | 52 | 272,03 | 262,89 | C | 2517 | 19,05 | 63,50 | 44,45 | 111,13 | 8,430 | 26,540 | 10,1 | 1,6 | PHS 50-2TB52 | | |
| | 60 | 312,42 | 303,28 | C | 2517 | 19,05 | 63,50 | 44,45 | 111,13 | 8,430 | 26,540 | 13,7 | 1,6 | PHS 50-2TB60 | | |

All Type B or C sprockets, up to and including 25 tooth, are with hardened teeth as standard.
For any additional size sprockets with hardened teeth, add "H" before the number of teeth, e.g. PHS 35-2TBH19.

ANSI sprockets, duplex, taper bushed

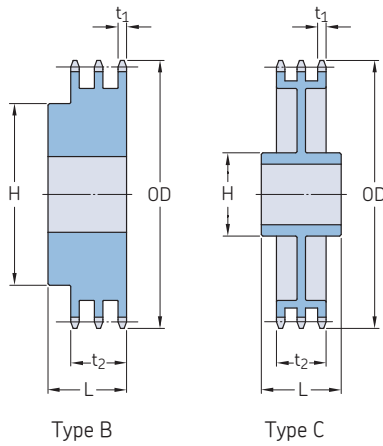
ANSI 50-2 · 15,88 mm (5/8") pitch | ANSI 60-2 · 19,05 mm (3/4") pitch | ANSI 80-2 · 25,40 mm (1") pitch

| Pitch | Number of teeth | Diameters | | Type | Bushing number | Dimensions | | | | Plate thickness | | Mass Rim | Bushing | Designation | | | |
|-------|-----------------|-----------|--------|--------|----------------|------------|-------|-------|-------|-----------------|----------------|----------|---------|-------------|---------------|-----|---------------|
| | | Outside | Pitch | | | Bore | | L | H | t ₁ | t ₂ | | | | | | |
| | | OD | PD | | | Min. | Max. | | | | | | | | | | |
| mm | in. | mm | mm | mm | mm | mm | mm | mm | mm | mm | mm | kg | mm | mm | | | |
| 15,88 | 5/8 | 68 | 352,81 | 343,66 | C | 2517 | 19,05 | 63,50 | 44,45 | 111,13 | 8,430 | 26,540 | 17,9 | 1,6 | PHS 50-2TB68 | | |
| | | 76 | 393,45 | 384,05 | C | 2517 | 19,05 | 63,50 | 44,45 | 111,13 | 8,430 | 26,540 | 18,7 | 1,6 | PHS 50-2TB76 | | |
| | | 84 | 433,83 | 424,43 | C | 2517 | 19,05 | 63,50 | 44,45 | 111,13 | 8,430 | 26,540 | 20,6 | 1,6 | PHS 50-2TB84 | | |
| | | 95 | 489,46 | 480,06 | C | 2517 | 19,05 | 63,50 | 44,45 | 111,13 | 8,430 | 26,540 | 26,7 | 1,6 | PHS 50-2TB95 | | |
| | | 102 | 524,76 | 515,62 | C | 2517 | 19,05 | 63,50 | 44,45 | 111,13 | 8,430 | 26,540 | 30,4 | 1,6 | PHS 50-2TB102 | | |
| 19,05 | 3/4 | 13 | 88,65 | 79,50 | B | 1215 | 15,88 | 31,75 | 38,10 | 57,15 | 11,280 | 34,060 | 0,5 | 0,7 | PHS 60-2TBH13 | | |
| | | 14 | 95,00 | 85,60 | B | 1215 | 15,88 | 31,75 | 38,10 | 63,50 | 11,280 | 34,060 | 0,7 | 0,8 | PHS 60-2TBH14 | | |
| | | 15 | 101,09 | 91,69 | B | 1615 | 12,70 | 41,28 | 38,10 | 71,44 | 11,280 | 34,060 | 0,6 | 0,8 | PHS 60-2TBH15 | | |
| | | 16 | 107,19 | 97,54 | B | 1615 | 12,70 | 41,28 | 38,10 | 76,20 | 11,280 | 34,060 | 1,0 | 1,0 | PHS 60-2TBH16 | | |
| | | 17 | 113,28 | 103,63 | B | 1615 | 12,70 | 41,28 | 38,10 | 82,55 | 11,280 | 34,060 | 1,1 | 1,3 | PHS 60-2TBH17 | | |
| | | 18 | 119,38 | 109,73 | A | 2012 | 19,05 | 50,80 | 31,75 | - | 11,280 | 34,060 | 1,4 | 1,1 | PHS 60-2TBH18 | | |
| | | 19 | 125,73 | 115,82 | A | 2012 | 19,05 | 50,80 | 31,75 | - | 11,280 | 34,060 | 1,6 | 1,3 | PHS 60-2TBH19 | | |
| | | 20 | 131,57 | 121,67 | B | 2517 | 19,05 | 38,10 | 44,45 | 100,41 | 11,280 | 34,060 | 1,8 | 1,3 | PHS 60-2TBH20 | | |
| | | 21 | 137,92 | 127,76 | B | 2517 | 19,05 | 38,10 | 44,45 | 106,36 | 11,280 | 34,060 | 2,3 | 1,7 | PHS 60-2TBH21 | | |
| | | 25 | 162,31 | 126,49 | B | 2517 | 19,05 | 38,10 | 44,45 | 130,97 | 11,280 | 34,060 | 3,4 | 3,4 | PHS 60-2TBH25 | | |
| | | 30 | 192,79 | 182,12 | B | 2517 | 19,05 | 38,10 | 44,45 | 161,13 | 11,280 | 34,060 | 6,1 | 6,0 | PHS 60-2TB30 | | |
| | | 36 | 229,11 | 218,69 | C | 2517 | 19,05 | 38,10 | 44,45 | 107,95 | 11,280 | 34,060 | 7,9 | 7,9 | PHS 60-2TB36 | | |
| | | 42 | 265,68 | 255,02 | C | 2517 | 19,05 | 38,10 | 44,45 | 107,95 | 11,280 | 34,060 | 11,6 | 11,3 | PHS 60-2TB42 | | |
| | | 45 | 283,97 | 273,05 | C | 2517 | 19,05 | 38,10 | 44,45 | 107,95 | 11,280 | 34,060 | 13,4 | 13,3 | PHS 60-2TB45 | | |
| | | 52 | 326,39 | 315,47 | C | 2517 | 19,05 | 38,10 | 44,45 | 107,95 | 11,280 | 34,060 | 18,6 | 18,3 | PHS 60-2TB52 | | |
| | | 60 | 374,90 | 363,98 | C1 | 2517 | 19,05 | 38,10 | 44,45 | 107,95 | 11,280 | 34,060 | 14,7 | 15,2 | PHS 60-2TB60 | | |
| | | 68 | 423,42 | 412,50 | C1 | 2517 | 19,05 | 38,10 | 44,45 | 114,30 | 11,280 | 34,060 | 16,6 | 19,6 | PHS 60-2TB68 | | |
| | | 76 | 471,93 | 461,01 | C1 | 3020 | 31,75 | 76,20 | 50,80 | 133,35 | 11,280 | 34,060 | 19,3 | 21,7 | PHS 60-2TB76 | | |
| | | 95 | 587,25 | 576,07 | C1 | 3020 | 31,75 | 76,20 | 50,80 | 133,35 | 11,280 | 34,060 | 22,0 | 31,7 | PHS 60-2TB95 | | |
| | | 25,40 | 1 | 13 | 118,36 | 106,17 | A | 1615 | 12,70 | 41,28 | 38,10 | - | 14,150 | 43,430 | 1,5 | 0,5 | PHS 80-2TBH13 |
| | | | | 14 | 126,49 | 114,05 | A | 2012 | 19,05 | 50,80 | 31,75 | - | 14,150 | 43,430 | 1,6 | 0,8 | PHS 80-2TBH14 |
| | | | | 15 | 134,62 | 122,17 | A | 2012 | 19,05 | 50,80 | 31,75 | - | 14,150 | 43,430 | 2,0 | 0,8 | PHS 80-2TBH15 |
| | | | | 16 | 143,00 | 130,30 | A | 2517 | 19,05 | 63,50 | 44,45 | 79,38 | 14,150 | 43,430 | 1,7 | 1,6 | PHS 80-2TBH16 |
| | | | | 17 | 151,13 | 138,18 | A | 2517 | 19,05 | 63,50 | 44,45 | 79,38 | 14,150 | 43,430 | 2,3 | 1,6 | PHS 80-2TBH17 |
| | | | | 18 | 159,26 | 146,30 | A | 2517 | 19,05 | 63,50 | 44,45 | 79,38 | 14,150 | 43,430 | 2,9 | 1,6 | PHS 80-2TBH18 |
| 19 | 167,39 | | | 154,43 | B | 3020 | 31,75 | 76,20 | 50,80 | 127,00 | 14,150 | 43,430 | 2,5 | 3,0 | PHS 80-2TBH19 | | |
| 20 | 175,51 | | | 162,31 | B | 3020 | 31,75 | 76,20 | 50,80 | 133,35 | 14,150 | 43,430 | 3,2 | 3,0 | PHS 80-2TBH20 | | |
| 21 | 183,90 | | | 170,43 | B | 3020 | 31,75 | 76,20 | 50,80 | 141,29 | 14,150 | 43,430 | 4,0 | 3,0 | PHS 80-2TBH21 | | |
| 25 | 216,41 | | | 202,69 | B | 3020 | 31,75 | 76,20 | 50,80 | 174,63 | 14,150 | 43,430 | 7,5 | 3,0 | PHS 80-2TBH25 | | |
| 30 | 256,79 | | | 243,08 | C | 3020 | 31,75 | 76,20 | 50,80 | 133,35 | 14,150 | 43,430 | 11,4 | 3,0 | PHS 80-2TB30 | | |
| 36 | 305,56 | | | 291,34 | C | 3020 | 31,75 | 76,20 | 50,80 | 133,35 | 14,150 | 43,430 | 17,9 | 3,0 | PHS 80-2TB36 | | |
| 42 | 354,08 | | | 340,11 | C | 3020 | 31,75 | 76,20 | 50,80 | 133,35 | 14,150 | 43,430 | 16,5 | 3,0 | PHS 80-2TB42 | | |
| 45 | 378,46 | | | 364,24 | C1 | 3020 | 31,75 | 76,20 | 50,80 | 133,35 | 14,150 | 43,430 | 18,8 | 3,0 | PHS 80-2TB45 | | |
| 52 | 435,10 | | | 420,62 | C1 | 3020 | 31,75 | 76,20 | 50,80 | 133,35 | 14,150 | 43,430 | 25,5 | 3,0 | PHS 80-2TB52 | | |
| 60 | 499,87 | | | 485,39 | C1 | 3020 | 31,75 | 76,20 | 50,80 | 133,35 | 14,150 | 43,430 | 30,1 | 3,0 | PHS 80-2TB60 | | |
| 68 | 564,64 | | | 549,91 | C1 | 3020 | 31,75 | 76,20 | 50,80 | 133,35 | 14,150 | 43,430 | 32,7 | 3,0 | PHS 80-2TB68 | | |
| 76 | 629,41 | | | 614,68 | C1 | 3020 | 31,75 | 76,20 | 50,80 | 133,35 | 14,150 | 43,430 | 40,4 | 3,0 | PHS 80-2TB76 | | |
| 95 | 783,08 | | | 768,35 | C1 | 3020 | 31,75 | 76,20 | 50,80 | 133,35 | 14,150 | 43,430 | 50,8 | 3,0 | PHS 80-2TB95 | | |

All Type B or C sprockets, up to and including 25 tooth, are with hardened teeth as standard.
For any additional size sprockets with hardened teeth, add "H" before the number of teeth, e.g. PHS 35-2TBH19.

ANSI sprockets, triplex, pilot bore

ANSI 35-3 · 9,53 mm (3/8") pitch | ANSI 40-3 · 12,70 mm (1/2") pitch



| Pitch | Number of teeth | Outside diameter | Type | Dimensions Bore | | H | L | Plate thickness | | Mass | Designation |
|-------|-----------------|------------------|-------|-----------------|-------|--------|--------|-----------------|----------------|--------------|--------------|
| | | | | Min. | Max. | | | t ₁ | t ₂ | | |
| - | in. | mm | - | mm | | - | - | - | - | kg | - |
| 9,53 | 3/8 | 13 | B | 12,70 | 17,46 | 28,18 | 44,45 | 4,110 | 24,380 | 0,2 | PHS 35-3BH13 |
| | | 14 | B | 12,70 | 22,23 | 31,75 | 44,45 | 4,110 | 24,380 | 0,3 | PHS 35-3BH14 |
| | 15 | B | 12,70 | 23,81 | 35,72 | 44,45 | 4,110 | 24,380 | 0,4 | PHS 35-3BH15 | |
| | 16 | B | 12,70 | 23,81 | 37,31 | 44,45 | 4,110 | 24,380 | 0,4 | PHS 35-3BH16 | |
| | 17 | B | 12,70 | 17,46 | 40,48 | 44,45 | 4,110 | 24,380 | 0,5 | PHS 35-3BH17 | |
| | 18 | B | 12,70 | 20,64 | 43,66 | 44,45 | 4,110 | 24,380 | 0,6 | PHS 35-3BH18 | |
| | 19 | B | 12,70 | 23,81 | 47,63 | 44,45 | 4,110 | 24,380 | 0,6 | PHS 35-3BH19 | |
| | 20 | B | 19,05 | 23,81 | 49,21 | 47,63 | 4,110 | 24,380 | 0,7 | PHS 35-3BH20 | |
| | 21 | B | 19,05 | 34,93 | 52,39 | 47,63 | 4,110 | 24,380 | 0,8 | PHS 35-3BH21 | |
| | 22 | B | 19,05 | 36,51 | 55,56 | 47,63 | 4,110 | 24,380 | 0,9 | PHS 35-3BH22 | |
| | 23 | B | 19,05 | 38,10 | 57,15 | 47,63 | 4,110 | 24,380 | 1,0 | PHS 35-3BH23 | |
| | 24 | B | 19,05 | 38,10 | 57,15 | 47,63 | 4,110 | 24,380 | 1,0 | PHS 35-3BH24 | |
| | 25 | B | 19,05 | 38,10 | 57,15 | 47,63 | 4,110 | 24,380 | 1,1 | PHS 35-3BH25 | |
| | 26 | B | 19,05 | 38,10 | 63,50 | 47,63 | 4,110 | 24,380 | 1,3 | PHS 35-3B26 | |
| | 30 | B | 19,05 | 44,45 | 63,50 | 47,63 | 4,110 | 24,380 | 1,6 | PHS 35-3B30 | |
| | 36 | B | 19,05 | 44,45 | 63,50 | 47,63 | 4,110 | 24,380 | 2,1 | PHS 35-3B36 | |
| | 42 | B | 19,05 | 44,45 | 63,50 | 47,63 | 4,110 | 24,380 | 2,7 | PHS 35-3B42 | |
| | 48 | B | 19,05 | 44,45 | 63,50 | 47,63 | 4,110 | 24,380 | 3,4 | PHS 35-3B48 | |
| | 52 | B | 19,05 | 44,45 | 63,50 | 47,63 | 4,110 | 24,380 | 3,9 | PHS 35-3B52 | |
| | 60 | B | 19,05 | 44,45 | 63,50 | 47,63 | 4,110 | 24,380 | 5,1 | PHS 35-3B60 | |
| | 68 | B | 19,05 | 60,33 | 88,90 | 47,63 | 4,110 | 24,380 | 7,0 | PHS 35-3B68 | |
| | 72 | B | 19,05 | 60,33 | 88,90 | 47,63 | 4,110 | 24,380 | 7,9 | PHS 35-3B72 | |
| 76 | B | 19,05 | 60,33 | 88,90 | 47,63 | 4,110 | 24,380 | 8,6 | PHS 35-3B76 | | |
| 84 | B | 19,05 | 60,33 | 88,90 | 47,63 | 4,110 | 24,380 | 10,4 | PHS 35-3B84 | | |
| 95 | B | 25,40 | 63,50 | 95,25 | 53,98 | 4,110 | 24,380 | 13,3 | PHS 35-3B95 | | |
| 96 | B | 25,40 | 63,50 | 95,25 | 53,98 | 4,110 | 24,380 | 13,6 | PHS 35-3B96 | | |
| 102 | B | 25,40 | 63,50 | 95,25 | 53,98 | 4,110 | 24,380 | 15,1 | PHS 35-3B102 | | |
| 12,70 | 1/2 | 11 | B | 12,70 | 19,05 | 36,51 | 53,98 | 6,990 | 35,740 | 0,4 | PHS 40-3BH11 |
| | | 12 | B | 12,70 | 23,81 | 39,69 | 53,98 | 6,990 | 35,740 | 0,5 | PHS 40-3BH12 |
| | | 13 | B | 12,70 | 25,40 | 38,10 | 53,98 | 6,990 | 35,740 | 0,6 | PHS 40-3BH13 |
| | | 14 | B | 12,70 | 28,58 | 42,86 | 53,98 | 6,990 | 35,740 | 0,7 | PHS 40-3BH14 |
| | | 15 | B | 12,70 | 31,75 | 46,04 | 53,98 | 6,990 | 35,740 | 0,8 | PHS 40-3BH15 |
| | | 16 | B | 15,88 | 34,93 | 50,80 | 53,98 | 6,990 | 35,740 | 0,9 | PHS 40-3BH16 |
| | | 17 | B | 15,88 | 36,51 | 53,98 | 53,98 | 6,990 | 35,740 | 1,1 | PHS 40-3BH17 |
| | | 18 | B | 15,88 | 38,10 | 58,74 | 53,98 | 6,990 | 35,740 | 1,2 | PHS 40-3BH18 |
| | | 19 | B | 15,88 | 44,45 | 63,50 | 53,98 | 6,990 | 35,740 | 1,4 | PHS 40-3BH19 |
| | | 20 | B | 15,88 | 47,63 | 66,68 | 57,15 | 6,990 | 35,740 | 1,7 | PHS 40-3BH20 |
| | | 21 | B | 15,88 | 47,63 | 69,85 | 57,15 | 6,990 | 35,740 | 1,8 | PHS 40-3BH21 |
| | | 22 | B | 15,88 | 47,63 | 73,03 | 57,15 | 6,990 | 35,740 | 2,1 | PHS 40-3BH22 |
| | | 23 | B | 15,88 | 50,80 | 76,20 | 57,15 | 6,990 | 35,740 | 2,3 | PHS 40-3BH23 |
| | | 24 | B | 15,88 | 57,15 | 82,55 | 57,15 | 6,990 | 35,740 | 2,6 | PHS 40-3BH24 |
| | | 25 | B | 15,88 | 57,15 | 82,55 | 57,15 | 6,990 | 35,740 | 2,7 | PHS 40-3BH25 |
| | | 26 | B | 15,88 | 57,15 | 82,55 | 57,15 | 6,990 | 35,740 | 2,9 | PHS 40-3B26 |
| | | 30 | B | 22,23 | 57,15 | 82,55 | 57,15 | 6,990 | 35,740 | 3,6 | PHS 40-3B30 |
| | | 35 | B | 22,23 | 57,15 | 82,55 | 57,15 | 6,990 | 35,740 | 4,7 | PHS 40-3B35 |
| | | 36 | B | 23,81 | 63,50 | 95,25 | 60,33 | 6,990 | 35,740 | 5,3 | PHS 40-3B36 |
| | | 42 | B | 23,81 | 63,50 | 95,25 | 60,33 | 6,990 | 35,740 | 7,0 | PHS 40-3B42 |
| | | 48 | B | 23,81 | 63,50 | 95,25 | 60,33 | 6,990 | 35,740 | 8,8 | PHS 40-3B48 |
| | | 52 | B | 23,81 | 63,50 | 95,25 | 60,33 | 6,990 | 35,740 | 10,2 | PHS 40-3B52 |
| | | 60 | B | 23,81 | 63,50 | 95,25 | 60,33 | 6,990 | 35,740 | 13,6 | PHS 40-3B60 |
| | | 68 | B | 30,16 | 69,85 | 101,60 | 66,68 | 6,990 | 35,740 | 17,4 | PHS 40-3B68 |
| | | 72 | B | 30,16 | 69,85 | 101,60 | 66,68 | 6,990 | 35,740 | 19,3 | PHS 40-3B72 |
| | | 76 | B | 30,16 | 69,85 | 101,60 | 66,68 | 6,990 | 35,740 | 21,3 | PHS 40-3B76 |

Maximum bores can accommodate standard keyways. Larger bores are available where a shallow keyway is used or no keyway is required. All Type B or C sprockets, up to and including 25 tooth, are with hardened teeth as standard. For any additional size sprockets with hardened teeth, add "H" before the number of teeth, e.g. PHS 35-3BH13.

ANSI sprockets, triplex, pilot bore

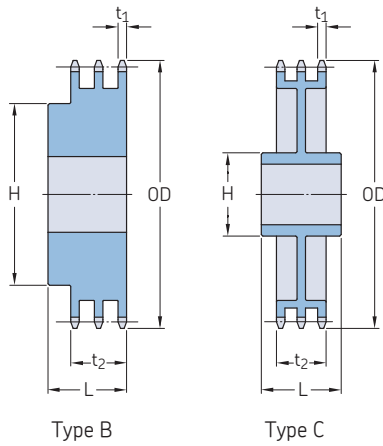
ANSI 40-3 · 12,70 mm (1/2") pitch | ANSI 50-3 · 15,88 mm (5/8") pitch | ANSI 60-3 · 19,05 mm (3/4") pitch | ANSI 80-3 · 25,40 mm (1") pitch

| Pitch | Number of teeth | Outside diameter | Type | Dimensions | | | | Plate thickness | | Mass | Designation | | | |
|-------|-----------------|------------------|--------|------------|--------|-------|--------|-----------------|----------------|--------|-------------|--------------|------|--------------|
| | | | | Bore | | H | L | t ₁ | t ₂ | | | | | |
| | | | | Min. | Max. | | | | | | | | | |
| – | in. | mm | – | mm | mm | mm | mm | mm | mm | kg | – | | | |
| 12,70 | 1/2 | 84 | 346,96 | B | 30,16 | 69,85 | 107,95 | 69,85 | 6,990 | 35,740 | 26,0 | PHS 40-3B84 | | |
| | | 95 | 391,41 | B | 30,16 | 69,85 | 107,95 | 69,85 | 6,990 | 35,740 | 28,2 | PHS 40-3B95 | | |
| | | 102 | 419,86 | B | 30,16 | 69,85 | 107,95 | 69,85 | 6,990 | 35,740 | 31,0 | PHS 40-3B102 | | |
| 15,88 | 5/8 | 11 | 63,50 | B | 15,88 | 23,81 | 37,31 | 63,50 | 8,430 | 44,650 | 0,6 | PHS 50-3BH11 | | |
| | | 12 | 68,83 | B | 15,88 | 28,58 | 42,86 | 63,50 | 8,430 | 44,650 | 0,8 | PHS 50-3BH12 | | |
| | | 13 | 73,91 | B | 15,88 | 33,34 | 47,63 | 63,50 | 8,430 | 44,650 | 1,0 | PHS 50-3BH13 | | |
| | | 14 | 78,99 | B | 15,88 | 34,93 | 52,39 | 63,50 | 8,430 | 44,650 | 1,2 | PHS 50-3BH14 | | |
| | | 15 | 84,33 | B | 19,05 | 38,10 | 58,74 | 63,50 | 8,430 | 44,650 | 1,5 | PHS 50-3BH15 | | |
| | | 16 | 89,41 | B | 19,05 | 44,45 | 63,50 | 63,50 | 8,430 | 44,650 | 1,7 | PHS 50-3BH16 | | |
| | | 17 | 94,49 | B | 19,05 | 47,63 | 68,26 | 63,50 | 8,430 | 44,650 | 2,0 | PHS 50-3BH17 | | |
| | | 18 | 99,57 | B | 19,05 | 49,21 | 74,61 | 63,50 | 8,430 | 44,650 | 2,3 | PHS 50-3BH18 | | |
| | | 19 | 104,65 | B | 25,40 | 53,98 | 79,38 | 63,50 | 8,430 | 44,650 | 2,5 | PHS 50-3BH19 | | |
| | | 20 | 109,73 | B | 25,40 | 57,15 | 82,55 | 66,68 | 8,430 | 44,650 | 2,9 | PHS 50-3BH20 | | |
| | | 21 | 114,81 | B | 25,40 | 60,33 | 88,90 | 66,68 | 8,430 | 44,650 | 3,4 | PHS 50-3BH21 | | |
| | | 22 | 119,89 | B | 25,40 | 60,33 | 90,49 | 66,68 | 8,430 | 44,650 | 3,6 | PHS 50-3BH22 | | |
| | | 23 | 124,97 | B | 25,40 | 63,50 | 92,08 | 66,68 | 8,430 | 44,650 | 4,0 | PHS 50-3BH23 | | |
| | | 24 | 130,05 | B | 25,40 | 63,50 | 92,08 | 66,68 | 8,430 | 44,650 | 4,3 | PHS 50-3BH24 | | |
| | | 25 | 135,13 | B | 25,40 | 63,50 | 92,08 | 66,68 | 8,430 | 44,650 | 4,6 | PHS 50-3BH25 | | |
| | | 26 | 140,21 | B | 25,40 | 63,50 | 95,25 | 66,68 | 8,430 | 44,650 | 5,0 | PHS 50-3B26 | | |
| | | 30 | 160,53 | B | 25,40 | 63,50 | 95,25 | 66,68 | 8,430 | 44,650 | 6,5 | PHS 50-3B30 | | |
| | | 35 | 185,93 | B | 25,40 | 63,50 | 95,25 | 66,68 | 8,430 | 44,650 | 8,6 | PHS 50-3B35 | | |
| | | 36 | 191,01 | B | 30,16 | 69,85 | 101,60 | 69,85 | 8,430 | 44,650 | 9,3 | PHS 50-3B36 | | |
| | | 42 | 221,49 | B | 30,16 | 69,85 | 101,60 | 69,85 | 8,430 | 44,650 | 12,5 | PHS 50-3B42 | | |
| | | 48 | 251,71 | B | 30,16 | 69,85 | 101,60 | 79,38 | 8,430 | 44,650 | 16,6 | PHS 50-3B48 | | |
| | | 52 | 272,03 | B | 30,16 | 69,85 | 101,60 | 79,38 | 8,430 | 44,650 | 19,3 | PHS 50-3B52 | | |
| | | 60 | 312,42 | B | 33,34 | 76,20 | 114,30 | 79,38 | 8,430 | 44,650 | 25,8 | PHS 50-3B60 | | |
| | | 68 | 352,81 | B | 33,34 | 76,20 | 114,30 | 79,38 | 8,430 | 44,650 | 33,2 | PHS 50-3B68 | | |
| | | 72 | 373,13 | C | 33,34 | 76,20 | 120,65 | 88,90 | 8,430 | 44,650 | 24,7 | PHS 50-3C72 | | |
| | | 76 | 393,45 | C | 33,34 | 76,20 | 120,65 | 88,90 | 8,430 | 44,650 | 23,2 | PHS 50-3C76 | | |
| | | 84 | 433,83 | C | 33,34 | 76,20 | 120,65 | 88,90 | 8,430 | 44,650 | 29,6 | PHS 50-3C84 | | |
| | | 95 | 489,46 | C | 33,34 | 76,20 | 120,65 | 95,25 | 8,430 | 44,650 | 33,8 | PHS 50-3C95 | | |
| | | 102 | 524,76 | C | 33,34 | 76,20 | 120,65 | 95,25 | 8,430 | 44,650 | 36,3 | PHS 50-3C102 | | |
| | | 19,05 | 3/4 | 11 | 76,20 | B | 25,40 | 31,75 | 46,04 | 76,20 | 11,280 | 56,850 | 1,1 | PHS 60-3BH11 |
| | | | | 12 | 82,55 | B | 25,40 | 36,51 | 53,98 | 76,20 | 11,280 | 56,850 | 1,5 | PHS 60-3BH12 |
| | | | | 13 | 88,65 | B | 25,40 | 38,10 | 57,15 | 76,20 | 11,280 | 56,850 | 1,8 | PHS 60-3BH13 |
| | | | | 14 | 95,00 | B | 25,40 | 44,45 | 63,50 | 76,20 | 11,280 | 56,850 | 2,0 | PHS 60-3BH14 |
| | | | | 15 | 101,09 | B | 25,40 | 47,63 | 71,44 | 76,20 | 11,280 | 56,850 | 2,5 | PHS 60-3BH15 |
| | | | | 16 | 107,19 | B | 25,40 | 50,80 | 76,20 | 76,20 | 11,280 | 56,850 | 3,0 | PHS 60-3BH16 |
| | | | | 17 | 113,28 | B | 25,40 | 57,15 | 82,55 | 76,20 | 11,280 | 56,850 | 3,5 | PHS 60-3BH17 |
| 18 | 119,38 | | | B | 25,40 | 60,33 | 88,90 | 76,20 | 11,280 | 56,850 | 3,9 | PHS 60-3BH18 | | |
| 19 | 125,73 | | | B | 25,40 | 63,50 | 93,66 | 76,20 | 11,280 | 56,850 | 4,5 | PHS 60-3BH19 | | |
| 20 | 131,83 | | | B | 25,40 | 63,50 | 95,25 | 76,20 | 11,280 | 56,850 | 5,1 | PHS 60-3BH20 | | |
| 21 | 137,92 | | | B | 25,40 | 69,85 | 104,78 | 76,20 | 11,280 | 56,850 | 5,7 | PHS 60-3BH21 | | |
| 22 | 144,02 | | | B | 25,40 | 69,85 | 107,95 | 76,20 | 11,280 | 56,850 | 6,0 | PHS 60-3BH22 | | |
| 23 | 150,11 | | | B | 25,40 | 69,85 | 107,95 | 76,20 | 11,280 | 56,850 | 6,6 | PHS 60-3BH23 | | |
| 24 | 156,21 | | | B | 25,40 | 69,85 | 107,95 | 76,20 | 11,280 | 56,850 | 7,2 | PHS 60-3BH24 | | |
| 25 | 162,31 | | | B | 25,40 | 69,85 | 107,95 | 76,20 | 11,280 | 56,850 | 7,7 | PHS 60-3BH25 | | |
| 26 | 168,40 | | | B | 25,40 | 69,85 | 107,95 | 76,20 | 11,280 | 56,850 | 8,4 | PHS 60-3B26 | | |
| 30 | 192,79 | | | B | 25,40 | 69,85 | 107,95 | 76,20 | 11,280 | 56,850 | 10,5 | PHS 60-3B30 | | |
| 35 | 223,01 | | | B | 31,75 | 76,20 | 114,30 | 82,55 | 11,280 | 56,850 | 15,7 | PHS 60-3B35 | | |
| 36 | 229,11 | | | B | 31,75 | 76,20 | 114,30 | 82,55 | 11,280 | 56,850 | 16,8 | PHS 60-3B36 | | |
| 42 | 265,68 | | | B | 31,75 | 82,55 | 120,65 | 92,08 | 11,280 | 56,850 | 22,2 | PHS 60-3B42 | | |
| 45 | 283,97 | | | B | 31,75 | 82,55 | 120,65 | 92,08 | 11,280 | 56,850 | 25,9 | PHS 60-3B45 | | |
| 52 | 326,39 | | | C | 31,75 | 82,55 | 120,65 | 88,90 | 11,280 | 56,850 | 33,1 | PHS 60-3C52 | | |
| 60 | 374,90 | | | C | 31,75 | 82,55 | 120,65 | 88,90 | 11,280 | 56,850 | 28,6 | PHS 60-3C60 | | |
| 68 | 423,42 | | | C | 31,75 | 82,55 | 127,00 | 88,90 | 11,280 | 56,850 | 33,1 | PHS 60-3C68 | | |
| 72 | 447,80 | | | C | 31,75 | 82,55 | 127,00 | 88,90 | 11,280 | 56,850 | 38,6 | PHS 60-3C72 | | |
| 76 | 471,93 | | | C | 38,10 | 95,25 | 139,70 | 88,90 | 11,280 | 56,850 | 37,2 | PHS 60-3C76 | | |
| 95 | 587,25 | | | C | 38,10 | 95,25 | 139,70 | 101,60 | 11,280 | 56,850 | 47,6 | PHS 60-3C95 | | |
| 25,40 | 1 | | | 11 | 101,85 | B | 25,40 | 44,45 | 63,50 | 92,08 | 14,150 | 72,720 | 2,7 | PHS 80-3BH11 |
| | | | | 12 | 109,98 | B | 25,40 | 47,63 | 72,23 | 92,08 | 14,150 | 72,720 | 3,4 | PHS 80-3BH12 |
| | | | | 13 | 118,36 | B | 25,40 | 57,15 | 80,17 | 92,08 | 14,150 | 72,720 | 4,2 | PHS 80-3BH13 |
| | | | | 14 | 126,49 | B | 25,40 | 60,33 | 88,11 | 92,08 | 14,150 | 72,720 | 5,0 | PHS 80-3BH14 |
| | | | | 15 | 134,62 | B | 25,40 | 63,50 | 96,44 | 92,08 | 14,150 | 72,720 | 5,9 | PHS 80-3BH15 |
| | | | | 16 | 143,00 | B | 25,40 | 69,85 | 101,60 | 98,43 | 14,150 | 72,720 | 7,2 | PHS 80-3BH16 |
| | | | | 17 | 151,13 | B | 25,40 | 76,20 | 112,32 | 98,43 | 14,150 | 72,720 | 8,4 | PHS 80-3BH17 |
| | | | | 18 | 159,26 | B | 25,40 | 82,55 | 120,25 | 98,43 | 14,150 | 72,720 | 9,6 | PHS 80-3BH18 |
| | | | | 19 | 167,39 | B | 25,40 | 84,14 | 127,00 | 98,43 | 14,150 | 72,720 | 10,8 | PHS 80-3BH19 |
| | | 20 | 175,51 | B | 25,40 | 84,14 | 127,00 | 98,43 | 14,150 | 72,720 | 11,8 | PHS 80-3BH20 | | |
| | | 21 | 183,90 | B | 25,40 | 84,14 | 127,00 | 98,43 | 14,150 | 72,720 | 12,9 | PHS 80-3BH21 | | |
| | | 22 | 192,02 | B | 25,40 | 84,14 | 127,00 | 98,43 | 14,150 | 72,720 | 14,1 | PHS 80-3BH22 | | |
| | | 23 | 200,15 | B | 25,40 | 84,14 | 127,00 | 98,43 | 14,150 | 72,720 | 15,2 | PHS 80-3BH23 | | |
| | | 24 | 208,28 | B | 25,40 | 88,90 | 133,35 | 98,43 | 14,150 | 72,720 | 16,8 | PHS 80-3BH24 | | |

Maximum bores can accommodate standard keyways. Larger bores are available where a shallow keyway is used or no keyway is required. All Type B or C sprockets, up to and including 25 tooth, are with hardened teeth as standard. For any additional size sprockets with hardened teeth, add "H" before the number of teeth, e.g. PHS 35-3BH13.

ANSI sprockets, triplex, pilot bore

ANSI 80-3 · 25,40 mm (1") pitch | ANSI 100-3 · 31,75 mm (1¼") pitch



| Pitch | Number of teeth | Outside diameter | Type | Dimensions Bore | | H | L | Plate thickness | | Mass | Designation | | | |
|-------|-----------------|------------------|-------|-----------------|--------|--------|--------|-----------------|----------------|--------|---------------|---------------|---------------|---------------|
| | | | | Min. | Max. | | | t ₁ | t ₂ | | | | | |
| – | in. | mm | – | mm | mm | mm | mm | mm | mm | kg | – | | | |
| 25,40 | 1 | 25 | B | 25,40 | 88,90 | 133,35 | 98,43 | 14,150 | 72,720 | 18,2 | PHS 80-3BH25 | | | |
| | | 26 | B | 25,40 | 88,90 | 133,35 | 98,43 | 14,150 | 72,720 | 19,5 | PHS 80-3B26 | | | |
| | | 30 | B | 31,75 | 95,25 | 146,05 | 107,95 | 14,150 | 72,720 | 24,7 | PHS 80-3B30 | | | |
| | | 35 | B | 31,75 | 95,25 | 146,05 | 107,95 | 14,150 | 72,720 | 36,1 | PHS 80-3B35 | | | |
| | | 36 | B | 31,75 | 95,25 | 146,05 | 107,95 | 14,150 | 72,720 | 38,1 | PHS 80-3B36 | | | |
| | 25,40 | 2 | 42 | C | 31,75 | 96,84 | 152,40 | 114,30 | 14,150 | 72,720 | 38,5 | PHS 80-3C42 | | |
| | | | 45 | C | 31,75 | 96,84 | 152,40 | 114,30 | 14,150 | 72,720 | 41,9 | PHS 80-3C45 | | |
| | | | 52 | C | 38,10 | 96,84 | 152,40 | 114,30 | 14,150 | 72,720 | 48,5 | PHS 80-3C52 | | |
| | | | 60 | C | 38,10 | 107,95 | 158,75 | 120,65 | 14,150 | 72,720 | 58,1 | PHS 80-3C60 | | |
| | | | 68 | C | 38,10 | 107,95 | 158,75 | 120,65 | 14,150 | 72,720 | 63,5 | PHS 80-3C68 | | |
| | | 25,40 | 3 | 76 | C | 38,10 | 107,95 | 158,75 | 120,65 | 14,150 | 72,720 | 74,8 | PHS 80-3C76 | |
| | | | | 95 | C | 38,10 | 114,30 | 171,45 | 127,00 | 14,150 | 72,720 | 108,9 | PHS 80-3C95 | |
| | | | 31,75 | 1¼ | 11 | B | 25,40 | 53,98 | 79,38 | 107,95 | 16,990 | 88,520 | 5,3 | PHS 100-3BH11 |
| | | | | | 12 | B | 28,58 | 57,15 | 85,73 | 107,95 | 16,990 | 88,520 | 6,2 | PHS 100-3BH12 |
| 13 | B | 28,58 | | | 63,50 | 96,84 | 107,95 | 16,990 | 88,520 | 7,7 | PHS 100-3BH13 | | | |
| 14 | B | 28,58 | | | 69,85 | 106,36 | 107,95 | 16,990 | 88,520 | 9,2 | PHS 100-3BH14 | | | |
| 15 | B | 31,75 | | | 79,38 | 117,48 | 114,30 | 16,990 | 88,520 | 11,3 | PHS 100-3BH15 | | | |
| 31,75 | 2 | 16 | | | B | 31,75 | 84,14 | 127,00 | 114,30 | 16,990 | 88,520 | 13,3 | PHS 100-3BH16 | |
| | | 17 | | | B | 31,75 | 88,90 | 133,35 | 114,30 | 16,990 | 88,520 | 15,3 | PHS 100-3BH17 | |
| | | 18 | | | B | 31,75 | 88,90 | 133,35 | 120,65 | 16,990 | 88,520 | 17,5 | PHS 100-3BH18 | |
| | | 19 | | | B | 31,75 | 95,25 | 139,70 | 120,65 | 16,990 | 88,520 | 19,6 | PHS 100-3BH19 | |
| | | 20 | | B | 31,75 | 95,25 | 139,70 | 120,65 | 16,990 | 88,520 | 21,7 | PHS 100-3BH20 | | |
| | | 31,75 | | 3 | 21 | B | 31,75 | 95,25 | 139,70 | 120,65 | 16,990 | 88,520 | 23,7 | PHS 100-3BH21 |
| | | | | | 22 | B | 31,75 | 95,25 | 139,70 | 120,65 | 16,990 | 88,520 | 26,1 | PHS 100-3BH22 |
| | | | | | 23 | B | 31,75 | 95,25 | 139,70 | 120,65 | 16,990 | 88,520 | 28,4 | PHS 100-3BH23 |
| | | | | | 24 | B | 31,75 | 95,25 | 146,05 | 120,65 | 16,990 | 88,520 | 31,3 | PHS 100-3BH24 |
| 25 | B | | | | 31,75 | 95,25 | 146,05 | 120,65 | 16,990 | 88,520 | 33,1 | PHS 100-3BH25 | | |
| 31,75 | 4 | | | | 26 | B | 38,10 | 96,84 | 146,05 | 120,65 | 16,990 | 88,520 | 35,8 | PHS 100-3B26 |
| | | | | | 30 | B | 38,10 | 96,84 | 146,05 | 120,65 | 16,990 | 88,520 | 46,7 | PHS 100-3B30 |
| | | | | | 35 | C | 38,10 | 101,60 | 152,40 | 127,00 | 16,990 | 88,520 | 49,0 | PHS 100-3C35 |
| | | | 45 | | C | 38,10 | 101,60 | 152,40 | 127,00 | 16,990 | 88,520 | 64,9 | PHS 100-3C45 | |
| | | 60 | C | 38,10 | 136,53 | 190,50 | 127,00 | 16,990 | 88,520 | 98,4 | PHS 100-3C60 | | | |
| | | 31,75 | 5 | 70 | C | 38,10 | 136,53 | 190,50 | 127,00 | 16,990 | 88,520 | 118,8 | PHS 100-3C70 | |
| | | | | 80 | C | 38,10 | 136,53 | 190,50 | 127,00 | 16,990 | 88,520 | 142,0 | PHS 100-3C80 | |

Maximum bores can accommodate standard keyways. Larger bores are available where a shallow keyway is used or no keyway is required. All Type B or C sprockets, up to and including 25 tooth, are with hardened teeth as standard. For any additional size sprockets with hardened teeth, add "H" before the number of teeth, e.g. PHS 35-3BH13.



更詳細的可靠度系統產品資訊請連絡

億寶軸承股份有限公司

電話:(03)378-2168

傳真:(03)369-7306

地址:330059 桃園市桃園區文中路425號

信箱:eb.bearing@msa.hinet.net



www.eb-bearing.com.tw

eb BEARING